



Chipsmall Limited consists of a professional team with an average of over 10 year of expertise in the distribution of electronic components. Based in Hongkong, we have already established firm and mutual-benefit business relationships with customers from,Europe,America and south Asia,supplying obsolete and hard-to-find components to meet their specific needs.

With the principle of "Quality Parts,Customers Priority,Honest Operation,and Considerate Service",our business mainly focus on the distribution of electronic components. Line cards we deal with include Microchip,ALPS,ROHM,Xilinx,Pulse,ON,Everlight and Freescale. Main products comprise IC,Modules,Potentiometer,IC Socket,Relay,Connector.Our parts cover such applications as commercial,industrial, and automotives areas.

We are looking forward to setting up business relationship with you and hope to provide you with the best service and solution. Let us make a better world for our industry!



## Contact us

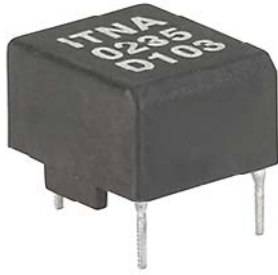
Tel: +86-755-8981 8866 Fax: +86-755-8427 6832

Email & Skype: info@chipsmall.com Web: www.chipsmall.com

Address: A1208, Overseas Decoration Building, #122 Zhenhua RD., Futian, Shenzhen, China



Pulse transformers for THT mounting



**Description**

- High insulation rating (>3.2 kVAC) between the primary and the secondary windings
- High insulation rating up to 500V between the secondary windings
- Small coupling capacitances between primary and secondary windings limit transient feedback from the power supply side to the control electronics
- The defined partial discharge voltage guarantees an effectively unlimited serviceable life

**Standards**

- VDE 110b

**Applications**

- Galvanic separation of drive- and power-circuit
- Mainly used in ignition circuits with Thyristors, Triacs, power transistors and IGBT's
- DC/DC converters
- Line coupling transformers in high speed data transmission

**Weblinks**

[pdf datasheet](#), [html-datasheet](#), [General Product Information](#), [Approvals](#), [CE declaration of conformity](#), [RoHS](#), [CHINA-RoHS](#), [REACH](#), [Distributor-Stock-Check](#), [Detailed request for product](#)

**Technical Data**

Rated voltage	up to 600 VAC
Voltage Time Integral	150 - 400 Vμs
Pulse Rise Time	0.05 - 1.5 μs
Turns Ratio	1:1, 2:1, 1:1:1
Terminal Type	THT
Weight	6 - 11 g
Material: Housing	UL 94V-0
Sealing Compound	UL 94V-0

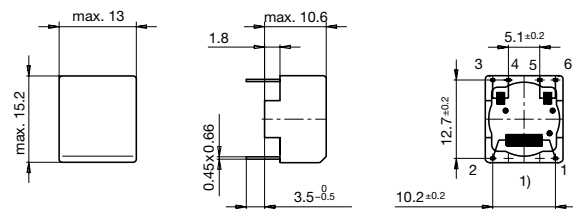
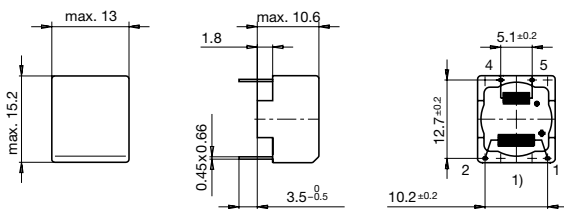
Climatic Category	25/100/21 acc. to IEC 60068-1
Allowable Operation Temp.	-25 °C to 100 °C

Detailed information on product approvals, code requirements, usage instructions and detailed test conditions can be looked up in [General Product Information](#)

**Dimension**

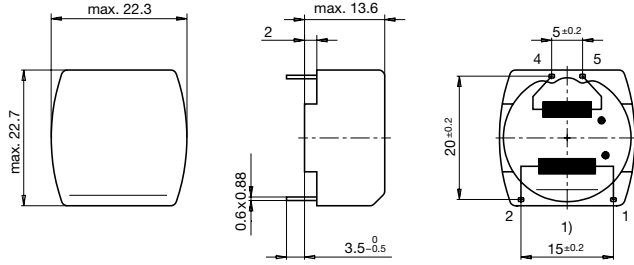
Case 35-3

Case 35-4

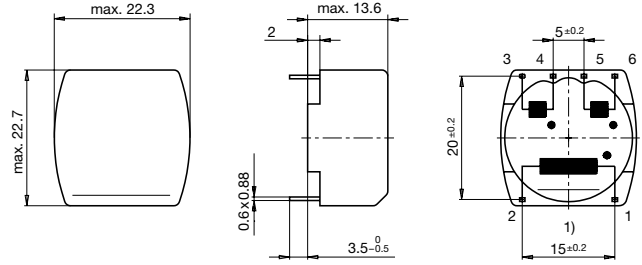


1) Prim.

Case 39-3

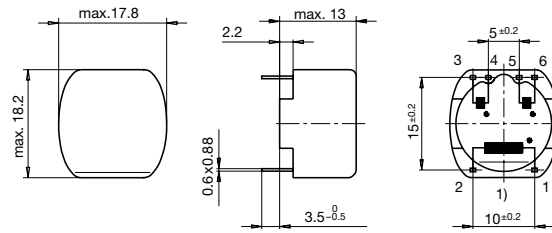
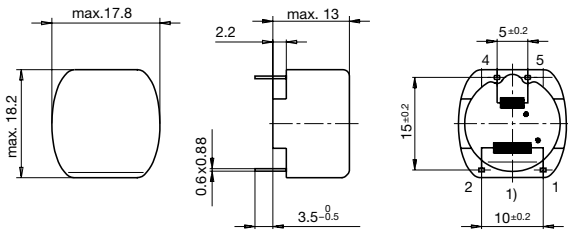


Case 39-4



1) Prim.  
Case 49-4

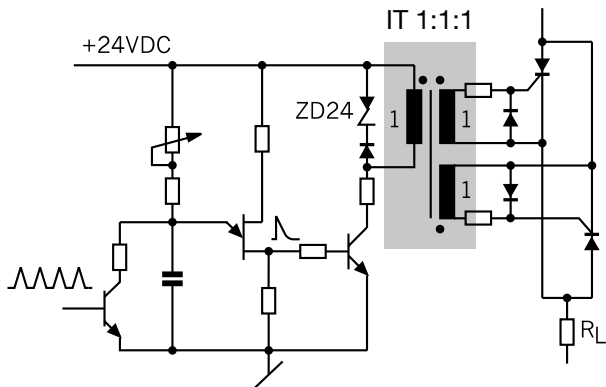
Case 49-3



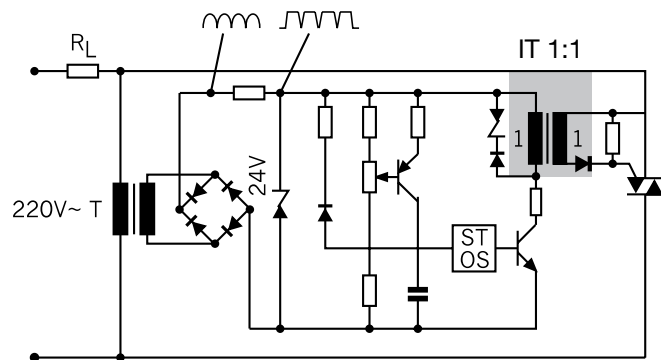
1) Prim.

1) Prim.

Diagrams



Firing of antiparallel Thyristors (SCR's) by means of unijunction and transistor amplifiers



Triac phase angle control

All Variants

Turns Ratio	$T_r$ [ $\mu$ s]	$I_{ign}$ [A]	$U_{isol}$ [kV]	$U_s \times T_w$ [V $\mu$ s]	$L_s$ [mH]	$R_p$ [ $\Omega$ ]	$R_s$ [ $\Omega$ ]	$C_C$ [pF]	Weight [g]	Packing unit [pcs.]	Housings	Order Number
1:1	0.05	0.1	3.2	200	2.8	1.5	1	43/80	8 g	480	35-3	ITRA-0235-D103
1:1	0.9	0.1	3.5	200	2.8	1	1	20	8 g	480	35-3	ITNA-0235-D103
1:1	0.1	0.5	3.2	400	2.2	0.4	0.4	100	11 g	140	39-3	ITRA-0239-D502
1:1	1	0.17	3.5	400	2.2	0.4	0.4	20	11 g	140	39-3	ITNA-0239-D202
1:1	0.05	0.1	3.2	300	3.5	0.7	0.7	90	9 g	45	49-3	ITRA-0249-D104
1:1	1	0.1	3.5	300	3.5	0.7	0.7	20	9 g	45	49-3	ITNA-0249-D104
1:1:1	0.05	0.1	3.2	150	1.1	1	0.5	40	8 g	480	35-4	ITRF-0235-D101
1:1:1	0.5	0.5	3.2	350	1.6	0.4	0.4	90	10 g	140	39-4	ITRF-0239-D502
1:1:1	1.5	0.17	3.5	350	1.6	0.4	0.4	20	10 g	140	39-4	ITNF-0239-D202
1:1:1	1	0.1	3.5	250	1.4	0.5	0.5	20	9 g	45	49-4	ITNF-0249-D101
2:1	0.5	0.5	3.2	350	1.8	0.8	0.4	90	9 g	140	39-3	ITRB-0239-D502
2:1	0.05	0.1	3.2	250	1.4	1	0.5	70	9 g	45	49-3	ITRB-0249-D101
2:1	1	0.1	3.5	250	1.6	1	0.5	20	6 g	45	49-3	ITNB-0249-D101

Availability for all products can be searched real-time: <http://www.schurter.com/en/Stock-Check/Stock-Check-SCHURTER>