



Chipsmall Limited consists of a professional team with an average of over 10 year of expertise in the distribution of electronic components. Based in Hongkong, we have already established firm and mutual-benefit business relationships with customers from,Europe,America and south Asia,supplying obsolete and hard-to-find components to meet their specific needs.

With the principle of "Quality Parts,Customers Priority,Honest Operation,and Considerate Service",our business mainly focus on the distribution of electronic components. Line cards we deal with include Microchip,ALPS,ROHM,Xilinx,Pulse,ON,Everlight and Freescale. Main products comprise IC,Modules,Potentiometer,IC Socket,Relay,Connector.Our parts cover such applications as commercial,industrial, and automotives areas.

We are looking forward to setting up business relationship with you and hope to provide you with the best service and solution. Let us make a better world for our industry!



## Contact us

Tel: +86-755-8981 8866 Fax: +86-755-8427 6832

Email & Skype: info@chipsmall.com Web: www.chipsmall.com

Address: A1208, Overseas Decoration Building, #122 Zhenhua RD., Futian, Shenzhen, China



## Smart High-Side Power Switch for Industrial Applications

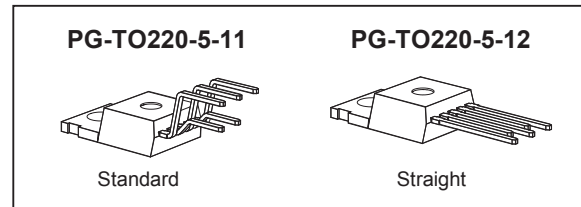
**One Channel: 38mΩ**

**Status Feedback**

### Product Summary

|                       |              |               |
|-----------------------|--------------|---------------|
| On-state Resistance   | $R_{ON}$     | 38mΩ          |
| Operating Voltage     | $V_{bb(ON)}$ | 4.75...41V    |
| Nominal load current  | $I_{L(NOM)}$ | 9.8A          |
| Current limitation    | $I_{L(SCr)}$ | 40A           |
| Operating Temperature | $T_a$        | -30 ... +85°C |

### Package



### General Description

- N channel vertical power MOSFET with charge pump, ground referenced CMOS compatible input and diagnostic feedback, monolithically integrated in Smart SiPMOS® technology.
- Providing embedded protective functions

### Applications

- μC compatible high-side power switch with diagnostic feedback for 5V, 12V and 24V grounded loads in industrial applications
- All types of resistive, inductive and capacitive loads
- Most suitable for loads with high inrush currents, so as lamps
- Replaces electromechanical relays, fuses and discrete circuits

### Basic Functions

- Very low standby current
- CMOS compatible input
- Fast demagnetization of inductive loads
- Stable behaviour at undervoltage
- Wide operating voltage range
- Logic ground independent from load ground

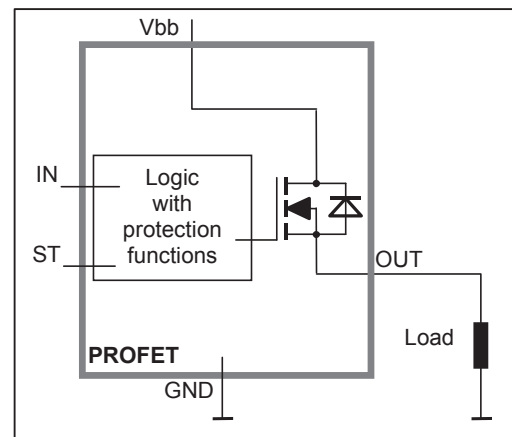
### Protection Functions

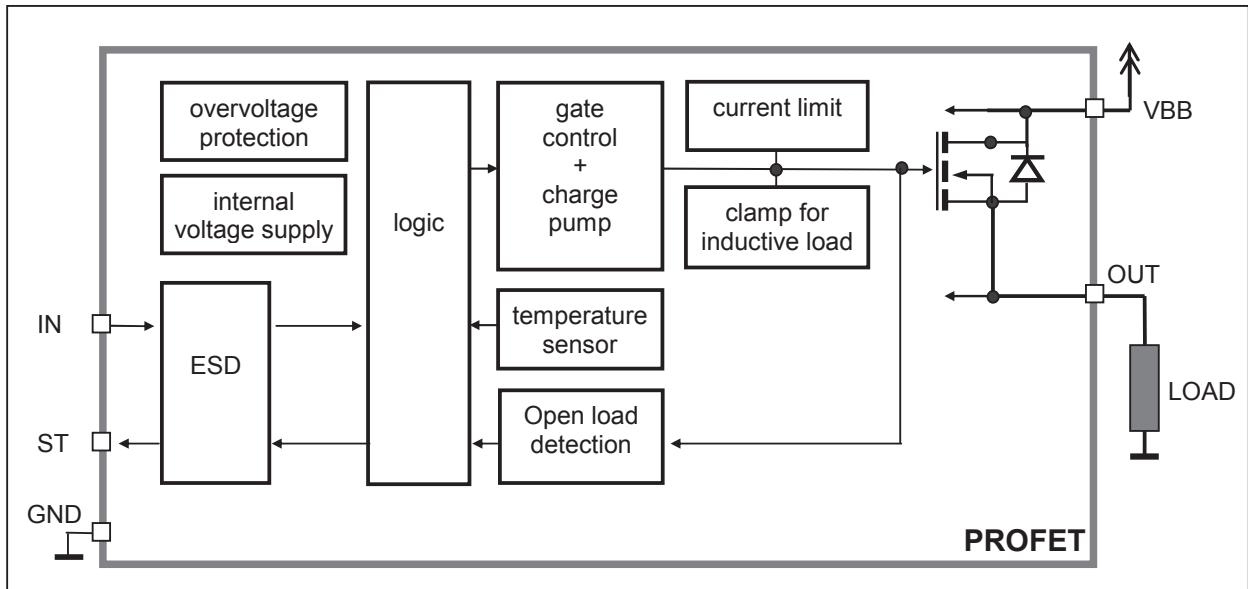
- Short circuit protection
- Overload protection
- Current limitation
- Thermal shutdown
- Overvoltage protection (including load dump) with external resistor
- Reverse battery protection with external resistor
- Loss of ground and loss of  $V_{bb}$  protection
- Electrostatic discharge protection (ESD)

### Diagnostic Function

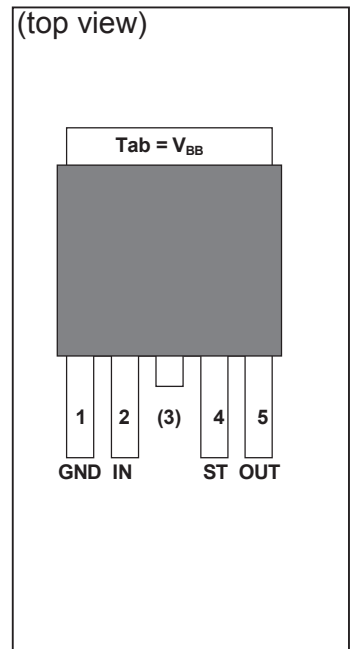
- Diagnostic feedback with open drain output
- Open load detection in ON-state
- Feedback of thermal shutdown in ON-state

### Block Diagram



**Functional diagram**

**Pin Definitions and Functions**

| Pin | Symbol          | Function   |
|-----|-----------------|--|
| 1   | GND             | <b>Logic ground</b>  |
| 2   | IN              | <b>Input</b> , activates the power switch in case of logical high signal |
| 3   | V <sub>bb</sub> | <b>Positive power supply voltage</b><br>The tab is shorted to pin 3      |
| 4   | ST              | <b>Diagnostic feedback</b> , low on failure                              |
| 5   | OUT             | <b>Output to the load</b>  |
| Tab | V <sub>bb</sub> | <b>Positive power supply voltage</b><br>The tab is shorted to pin 3      |

**Pin configuration**


**Maximum Ratings** at  $T_j = 25\text{ °C}$  unless otherwise specified

| Parameter  | Symbol                   | Values            | Unit |
|--|--------------------------|-------------------|------|
| Supply voltage (overvoltage protection see page 4)   | $V_{bb}$                 | 43                | V    |
| Supply voltage for full short circuit protection<br>$T_{j\text{ Start}} = -40 \dots +150\text{ °C}$  | $V_{bb}$                 | 24                | V    |
| Load dump protection <sup>1)</sup> $V_{\text{LoadDump}} = V_A + V_s$ , $V_A = 13.5\text{ V}$<br>$R_1^2 = 2\ \Omega$ , $R_L = 4.0\ \Omega$ , $t_d = 200\text{ ms}$ , IN= low or high  | $V_{\text{Load dump}}^3$ | 60                | V    |
| Load current (Current limit, see page 5)   | $I_L$                    | self-limited      | A    |
| Junction temperature   | $T_j$                    | +150              | °C   |
| Operating temperature range  | $T_a$                    | -30 ... +85       |      |
| Storage temperature range  | $T_{\text{stg}}$         | -40 ... +105      |      |
| Power dissipation (DC), $T_C \leq 25\text{ °C}$  | $P_{\text{tot}}$         | 75                | W    |
| Maximal switchable inductance, single pulse<br>$V_{bb} = 12\text{V}$ , $T_{j,\text{start}} = 150\text{ °C}$ , $T_C = 150\text{ °C}$ const.<br>(See diagram on page 8) $I_{L(\text{ISO})} = 9.8\text{ A}$ , $R_L = 0\ \Omega$ , $E_{AS}^4 = 0.33\text{J}$ : | $Z_L$                    | 5.0               | mH   |
| Electrostatic discharge capability (ESD) IN:<br>(Human Body Model) ST:<br>out to all other pins shorted:<br>acc. MIL-STD883D, method 3015.7 and<br>ESD assn. std. S5.1-1993; R=1.5k $\Omega$ ; C=100pF   | $V_{\text{ESD}}$         | 1.0<br>4.0<br>8.0 | kV   |
| Input voltage (DC)   | $V_{\text{IN}}$          | -10 ... +16       | V    |
| Current through input pin (DC)   | $I_{\text{IN}}$          | $\pm 2.0$         | mA   |
| Current through status pin (DC)<br>see internal circuit diagrams page 7  | $I_{\text{ST}}$          | $\pm 5.0$         |      |

**Thermal Characteristics**

| Parameter and Conditions        | Symbol            | Values |     |      | Unit |
|---------------------------------|-------------------|--------|-----|------|------|
|                                 |                   | min    | typ | max  |      |
| Thermal resistance chip - case: | $R_{\text{thJC}}$ | --     | --  | 1.75 | K/W  |
| junction - ambient (free air):  | $R_{\text{thJA}}$ | --     | --  | 75   |      |
| device on pcb <sup>5)</sup> :   |                   | --     | 33  | --   |      |

<sup>1)</sup> Supply voltages higher than  $V_{bb(AZ)}$  require an external current limit for the GND and status pins (a 150 $\Omega$  resistor for the GND connection is recommended).

<sup>2)</sup>  $R_1$  = internal resistance of the load dump test pulse generator

<sup>3)</sup>  $V_{\text{Load dump}}$  is setup without the DUT connected to the generator per ISO 7637-1 and DIN 40839



<sup>4)</sup>  $E_{AS}$  is the maximum inductive switch-off energy

<sup>5)</sup> Device on 50mm\*50mm\*1.5mm epoxy PCB FR4 with 6cm<sup>2</sup> (one layer, 70 $\mu\text{m}$  thick) copper area for  $V_{bb}$  connection. PCB is vertical without blown air.

## Electrical Characteristics

| Parameter and Conditions<br>at $T_j = -40...+150^\circ\text{C}$ , $V_{bb} = 12\text{ V}$ unless otherwise specified | Symbol | Values |     |     | Unit |
|---|--------|--------|-----|-----|------|
|   |        | min    | typ | max |      |

### Load Switching Capabilities and Characteristics

|   |                  |     |          |          |                  |
|---|------------------|-----|----------|----------|------------------|
| On-state resistance (pin 3 to 5)<br>$I_L = 2\text{ A}$ ; $V_{BB} \geq 7\text{ V}$<br>$T_j = 25^\circ\text{C}$ :<br>$T_j = 150^\circ\text{C}$ :<br>see diagram, page 9 | $R_{ON}$         | --  | 35<br>64 | 38<br>72 | m $\Omega$       |
| Nominal load current, (pin 3 to 5)<br>ISO 10483-1, 6.7: $V_{ON} = 0.5\text{ V}$ , $T_C = 85^\circ\text{C}$  | $I_{L(ISO)}$     | 8.8 | 9.8      | --       | A                |
| Output current (pin 5) while GND disconnected or GND pulled up <sup>6)</sup> , $V_{bb} = 30\text{ V}$ , $V_{IN} = 0$ , see diagram page 7                             | $I_{L(GNDhigh)}$ | --  | --       | 2        | mA               |
| Turn-on time<br>IN  to 90% $V_{OUT}$ :<br>$R_L = 12\ \Omega$ ,                       | $t_{on}$         | 50  | 100      | 200      | $\mu\text{s}$    |
| Turn-off time<br>IN  to 10% $V_{OUT}$ :<br>$R_L = 12\ \Omega$ ,                      | $t_{off}$        | 50  | 120      | 250      | $\mu\text{s}$    |
| Slew rate on<br>10 to 30% $V_{OUT}$ , $R_L = 12\ \Omega$ ,  | $dV/dt_{on}$     | 0.1 | --       | 1        | V/ $\mu\text{s}$ |
| Slew rate off<br>70 to 40% $V_{OUT}$ , $R_L = 12\ \Omega$ ,   | $-dV/dt_{off}$   | 0.1 | --       | 1        | V/ $\mu\text{s}$ |

### Operating Parameters

|   |               |          |          |          |               |
|---|---------------|----------|----------|----------|---------------|
| Operating voltage<br>$T_j = -40$<br>$T_j = +25...+150^\circ\text{C}$ :  | $V_{bb(on)}$  | 4.75     | --<br>-- | 41<br>43 | V             |
| Overvoltage protection <sup>7)</sup><br>$I_{bb} = 40\text{ mA}$<br>$T_j = -40^\circ\text{C}$ :<br>$T_j = 25...+150^\circ\text{C}$ :               | $V_{bb(AZ)}$  | 41<br>43 | --<br>47 | --<br>52 | V             |
| Standby current (pin 3) <sup>8)</sup><br>$V_{IN} = 0$ ; see diagram on page 9<br>$T_j = -40...+25^\circ\text{C}$ :<br>$T_j = 150^\circ\text{C}$ : | $I_{bb(off)}$ | --<br>-- | 5<br>--  | 8<br>25  | $\mu\text{A}$ |
| Off-State output current (included in $I_{bb(off)}$ )<br>$V_{IN} = 0$   | $I_{L(off)}$  | --       | 1        | 10       | $\mu\text{A}$ |
| Operating current <sup>9)</sup> , $V_{IN} = 5\text{ V}$   | $I_{GND}$     | --       | 0.8      | 1.4      | mA            |

<sup>6)</sup> not subject to production test, specified by design

<sup>7)</sup> Supply voltages higher than  $V_{bb(AZ)}$  require an external current limit for the GND and status pins (a 150 $\Omega$  resistor for the GND connection is recommended. See also  $V_{ON(CL)}$  in table of protection functions and circuit diagram page 7.

<sup>8)</sup> Measured with load



<sup>9)</sup> Add  $I_{ST}$ , if  $I_{ST} > 0$ , add  $I_{IN}$ , if  $V_{IN} > 5.5\text{ V}$

| Parameter and Conditions<br>at $T_j = -40...+150^\circ\text{C}$ , $V_{bb} = 12\text{ V}$ unless otherwise specified | Symbol   | Values   |     |     | Unit             |
|---|--|----------|-----|-----|------------------|
|   |  | min      | typ | max |                  |
| <b>Protection Functions<sup>10)</sup></b>   |  |          |     |     |                  |
| Current limit (pin 3 to 5)<br>(see timing diagrams on page 11)  | $I_{L(\text{lim})}$  |          |     |     |                  |
| $T_j = -40^\circ\text{C}$ :   |  | 46       | 58  | 68  | A                |
| $T_j = 25^\circ\text{C}$ :  |  | 39       | 51  | 58  |                  |
| $T_j = +150^\circ\text{C}$ :  |  | 30       | 38  | 46  |                  |
| Repetitive short circuit shutdown current limit<br>$T_j = T_{jt}$ (see timing diagrams, page 11)                    | $I_{L(\text{SCr})}$  | --       | 40  | --  | A                |
| Thermal shutdown time <sup>11)</sup><br>(see timing diagrams on page 11)  | $T_{j,\text{start}} = 25^\circ\text{C}$ :<br>$t_{\text{off}(\text{SC})}$ | --       | 1.9 | --  | ms               |
| Output clamp (inductive load switch off)<br>at $V_{\text{OUT}} = V_{bb} - V_{\text{ON}(\text{CL})}$                 | $I_L = 40\text{ mA}$ :<br>$V_{\text{ON}(\text{CL})}$                     | 41<br>43 | 47  | 52  | V                |
| Thermal overload trip temperature   | $T_{jt}$   | 150      | --  | --  | $^\circ\text{C}$ |
| Thermal hysteresis  | $\Delta T_{jt}$  | --       | 10  | --  | K                |
| Reverse battery (pin 3 to 1) <sup>12)</sup>   | $-V_{bb}$  | --       | --  | 32  | V                |
| Reverse battery voltage drop ( $V_{\text{out}} > V_{bb}$ ) <sup>13)</sup><br>$I_L = -2\text{ A}$                    | $T_j = 150^\circ\text{C}$ :<br>$-V_{\text{ON}(\text{rev})}$              | --       | 600 | --  | mV               |

**Diagnostic Characteristics**

|   |                    |     |    |     |    |
|---|--------------------|-----|----|-----|----|
| Open load detection current<br>(on-condition) | $I_{L(\text{OL})}$ | 100 | -- | 900 | mA |
|---|--------------------|-----|----|-----|----|

**Input and Status Feedback<sup>14)</sup>**

|  |                                  |     |     |     |               |
|--|----------------------------------|-----|-----|-----|---------------|
| Input resistance<br>see circuit page 7   | $R_i$                            | 2.5 | 3.5 | 6   | k $\Omega$    |
| Input turn-on threshold voltage   | $V_{\text{IN}(\text{T}+)}$       | 1.7 | --  | 3.2 | V             |
| Input turn-off threshold voltage  | $V_{\text{IN}(\text{T}-)}$       | 1.5 | --  | --  | V             |
| Input threshold hysteresis   | $\Delta V_{\text{IN}(\text{T})}$ | --  | 0.5 | --  | V             |
| Off state input current (pin 2), $V_{\text{IN}} = 0.4\text{ V}$  | $I_{\text{IN}(\text{off})}$      | 1   | --  | 50  | $\mu\text{A}$ |
| On state input current (pin 2), $V_{\text{IN}} = 5\text{ V}$   | $I_{\text{IN}(\text{on})}$       | 20  | 50  | 90  | $\mu\text{A}$ |
| Delay time for status with open load after switch off<br>(see timing diagrams on page 11)                            | $t_{\text{d}(\text{ST OL4})}$    | 100 | 520 | 900 | $\mu\text{s}$ |
| Status output (open drain)   |                                  |     |     |     |               |
| Zener limit voltage<br>$I_{\text{ST}} = +1.6\text{ mA}$ :  | $V_{\text{ST}(\text{high})}$     | 5.4 | 6.1 | --  | V             |
| ST low voltage<br>$I_{\text{ST}} = +1.6\text{ mA}$ :   | $V_{\text{ST}(\text{low})}$      | --  | --  | 0.4 |               |

<sup>10)</sup> Integrated protection functions are designed to prevent IC destruction under fault conditions described in the data sheet. Fault conditions are considered as "outside" normal operating range. Protection functions are not designed for continuous repetitive operation.

<sup>11)</sup> Device on 50mm\*50mm\*1.5mm epoxy PCB FR4 with 6cm<sup>2</sup> (one layer, 70 $\mu\text{m}$  thick) copper area for  $V_{bb}$  connection. PCB is vertical without blown air.

<sup>12)</sup> Requires 150  $\Omega$  resistor in GND connection. The reverse load current through the intrinsic drain-source diode has to be limited by the connected load. Note that the power dissipation is higher compared to normal operating conditions due to the voltage drop across the intrinsic drain-source diode. The temperature protection is not active during reverse current operation! Input and Status currents have to be limited (see max. ratings page 3 and circuit page 7).

<sup>13)</sup> not subject to production test, specified by design

<sup>14)</sup> If a ground resistor  $R_{\text{GND}}$  is used, add the voltage drop across this resistor.

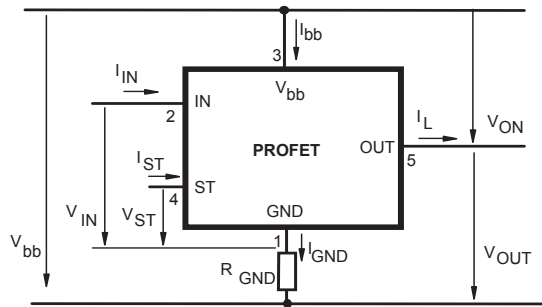
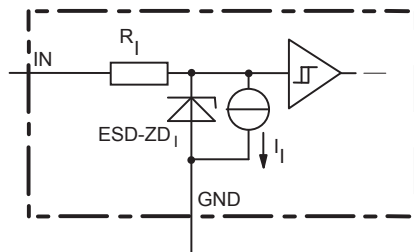
**Truth Table**

|                  | Input level | Output level | Status<br>BTS 436L2 |
|------------------|-------------|--------------|---------------------|
| Normal operation | L           | L            | H                   |
|                  | H           | H            | H                   |
| Open load        | L           | Z            | H                   |
|                  | H           | H            | L                   |
| Overtemperature  | L           | L            | H                   |
|                  | H           | L            | L                   |

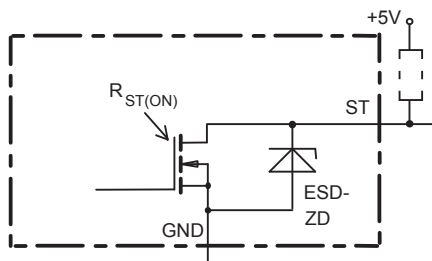
L = "Low" Level  
H = "High" Level

X = don't care

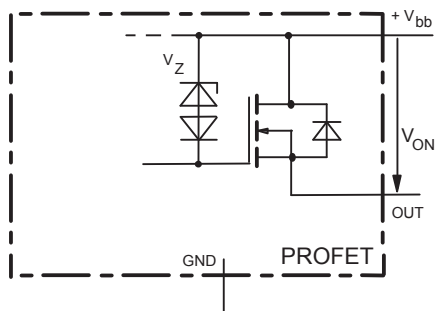
Z = high impedance, potential depends on external circuit  
Status signal after the time delay shown in the diagrams (see fig 5. page 11)

**Terms**

**Input circuit (ESD protection)**


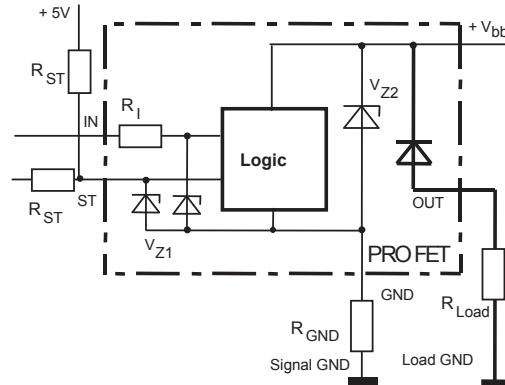
The use of ESD zener diodes as voltage clamp at DC conditions is not recommended

**Status output**


ESD-Zener diode: 6.1 V typ., max 5.0 mA;  $R_{ST(ON)} < 375 \Omega$  at 1.6 mA. The use of ESD zener diodes as voltage clamp at DC conditions is not recommended.

**Inductive and overvoltage output clamp**


$V_{ON}$  clamped to 47 V typ.

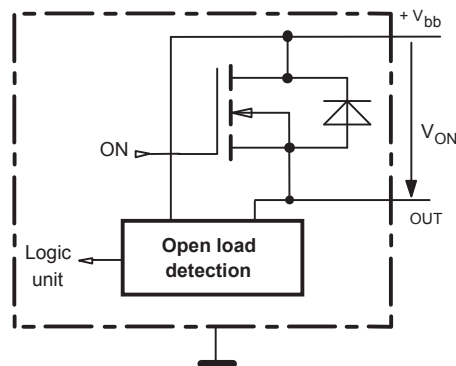
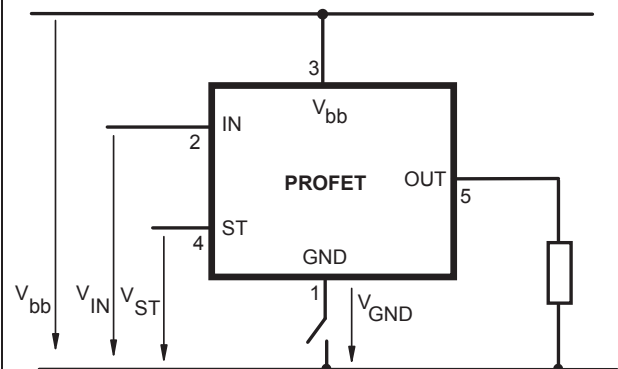
**Overvolt. and reverse batt. protection**


$V_{Z1} = 6.1 \text{ V typ.}$ ,  $V_{Z2} = 47 \text{ V typ.}$ ,  $R_{GND} = 150 \Omega$ ,  $R_{ST} = 15 \text{ k}\Omega$ ,  $R_I = 3.5 \text{ k}\Omega$  typ.

In case of reverse battery the load current has to be limited by the load. Temperature protection is not active

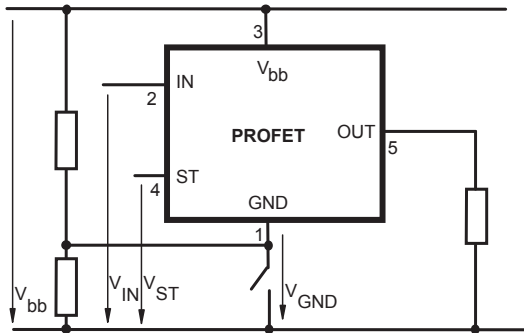
**Open-load detection in on-state**

Open load, if  $V_{ON} < R_{ON} \cdot I_{L(OL)}$ ; IN high

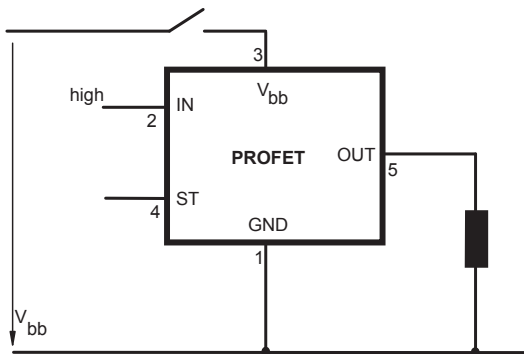

**GND disconnect**


Any kind of load. In case of Input=high is  $V_{OUT} \approx V_{IN} - V_{IN(T+)}$ . Due to  $V_{GND} > 0$ , no  $V_{ST} = \text{low}$  signal available.



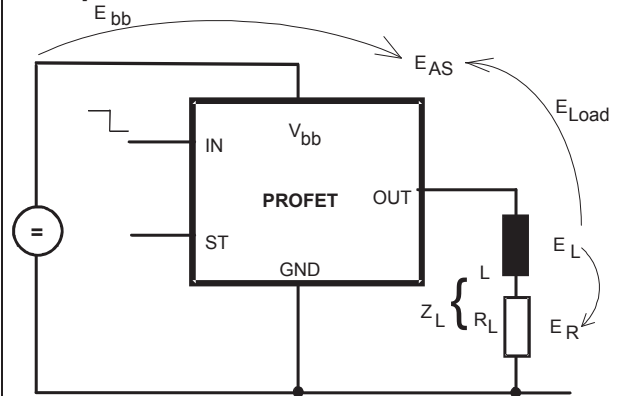
**GND disconnect with GND pull up**


Any kind of load. If  $V_{GND} > V_{IN} - V_{IN(T+)}$  device stays off  
 Due to  $V_{GND} > 0$ , no  $V_{ST}$  = low signal available.

**V<sub>bb</sub> disconnect with energized inductive load**


For inductive load currents up to the limits defined by  $Z_L$  (max. ratings and diagram on page 8) each switch is protected against loss of  $V_{bb}$ .

Consider at your PCB layout that in the case of  $V_{bb}$  disconnection with energized inductive load all the load current flows through the GND connection.

**Inductive Load switch-off energy dissipation**


Energy stored in load inductance:

$$E_L = \frac{1}{2} \cdot L \cdot I_L^2$$

While demagnetizing load inductance, the energy dissipated in PROFET is

$$E_{AS} = E_{bb} + E_L - E_R = \int V_{ON(CL)} \cdot i_L(t) dt,$$

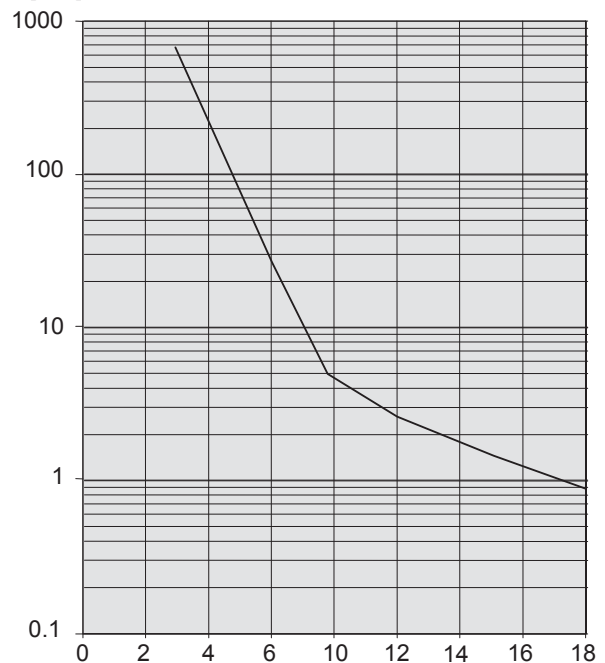
with an approximate solution for  $R_L > 0 \Omega$ :

$$E_{AS} = \frac{I_L \cdot L}{2 \cdot R_L} \cdot (V_{bb} + |V_{OUT(CL)}|) \cdot \ln \left( 1 + \frac{I_L \cdot R_L}{|V_{OUT(CL)}|} \right)$$

**Maximum allowable load inductance for a single switch off**

$L = f(I_L)$ ;  $T_{j,start} = 150^\circ\text{C}$ ,  $T_C = 150^\circ\text{C}$  const.,  
 $V_{bb} = 12\text{V}$ ,  $R_L = 0 \Omega$

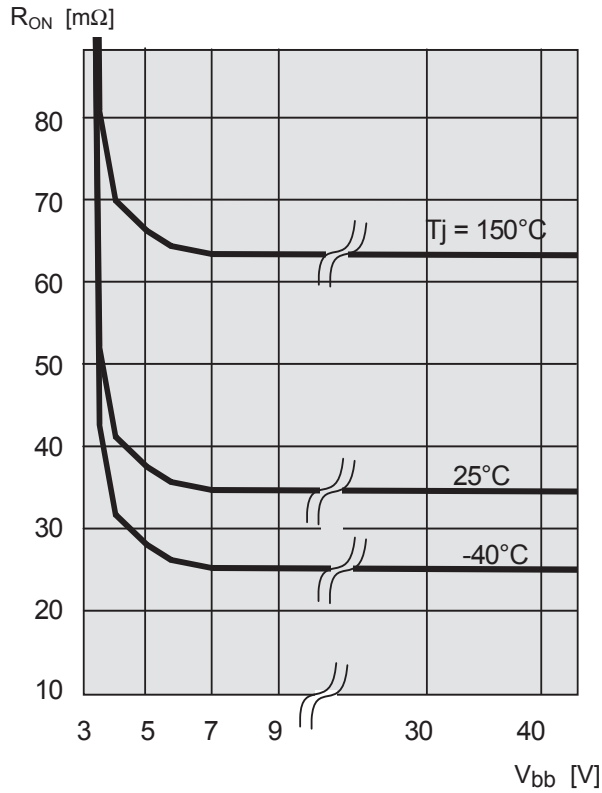
$Z_L$  [mH]



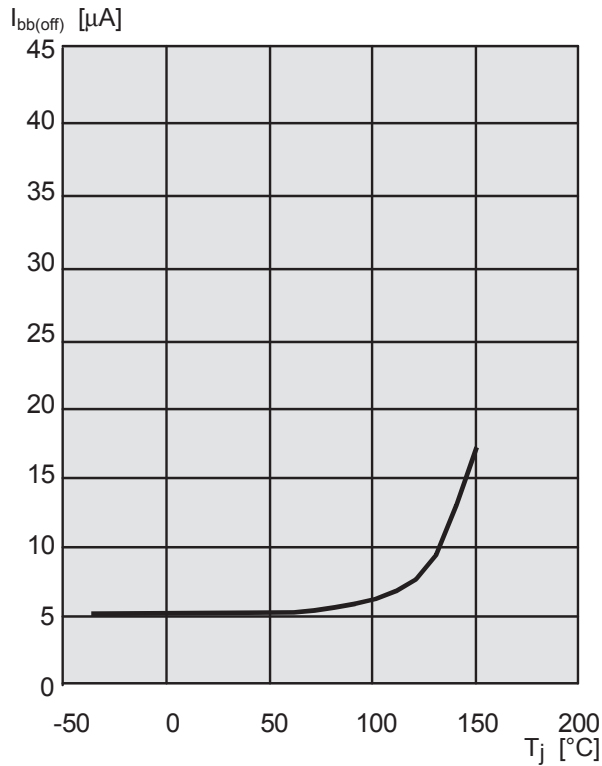
$I_L$  [A]

**Typ. on-state resistance**

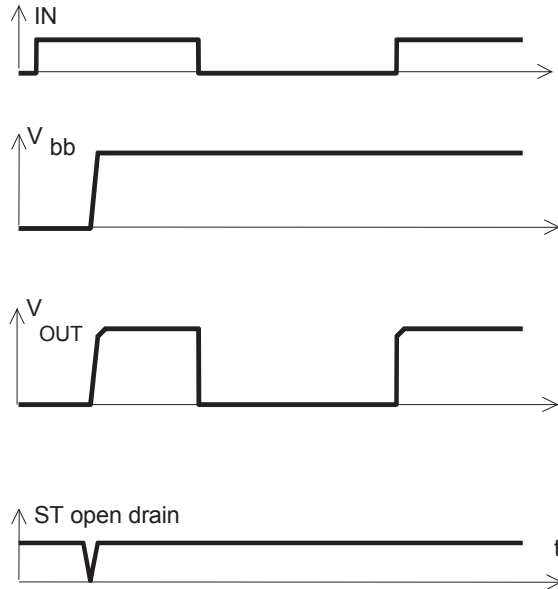
$$R_{ON} = f(V_{bb}, T_j); I_L = 2 \text{ A}, I_N = \text{high}$$


**Typ. standby current**

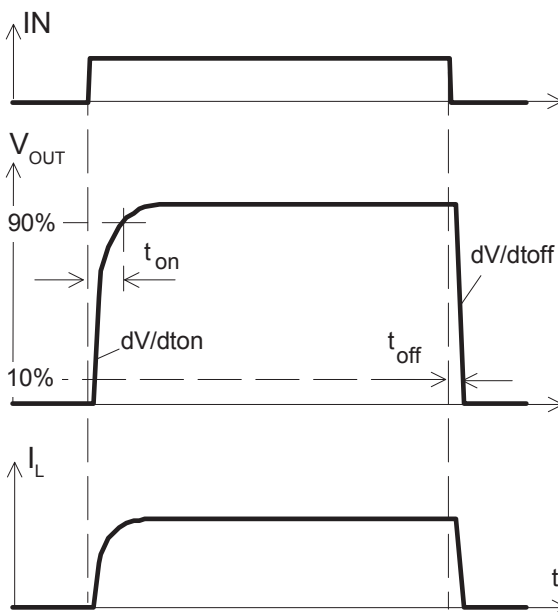
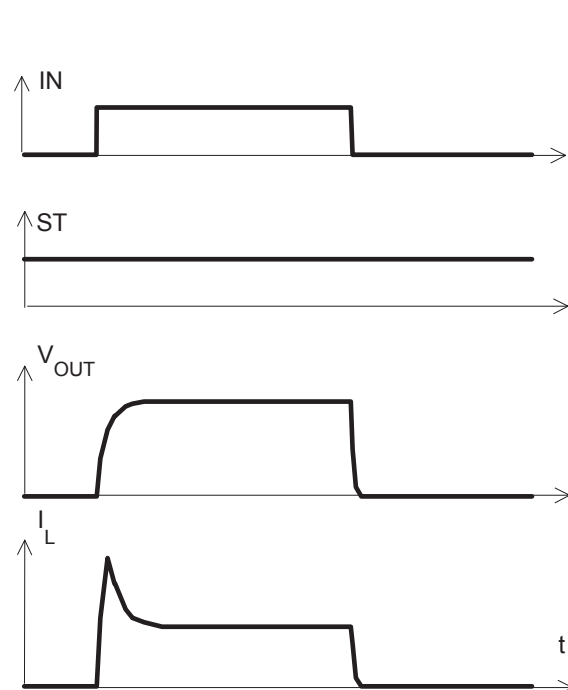
$$I_{bb(\text{off})} = f(T_j); V_{bb} = 9 \dots 34 \text{ V}, I_{N1,2} = \text{low}$$



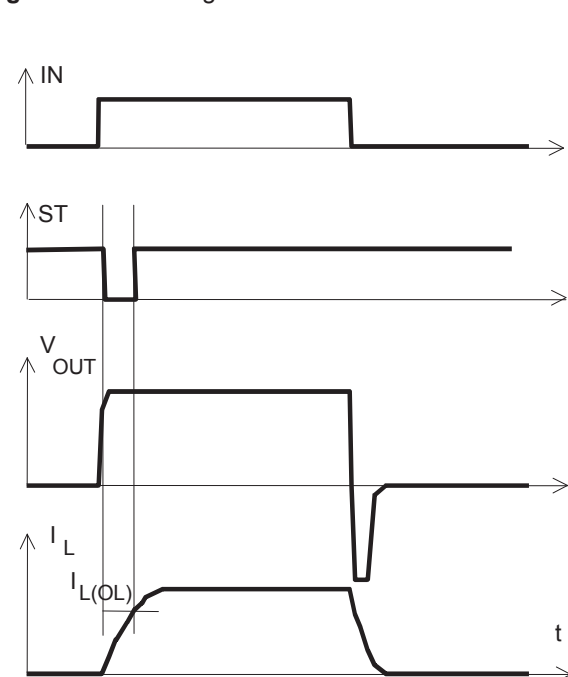
## Timing diagrams

**Figure 1a:**  $V_{bb}$  turn on:


proper turn on under all conditions

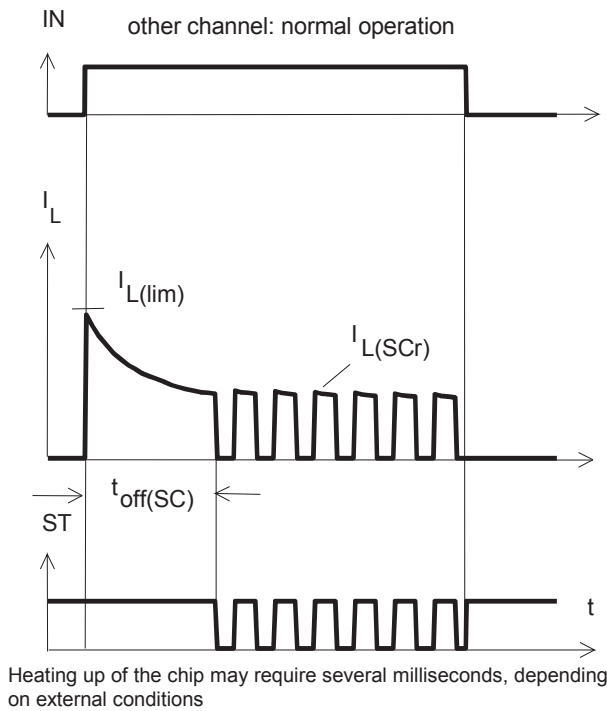
**Figure 2a:** Switching a resistive load, turn-on/off time and slew rate definition:

**Figure 2b:** Switching a lamp,


The initial peak current should be limited by the lamp and not by the current limit of the device.

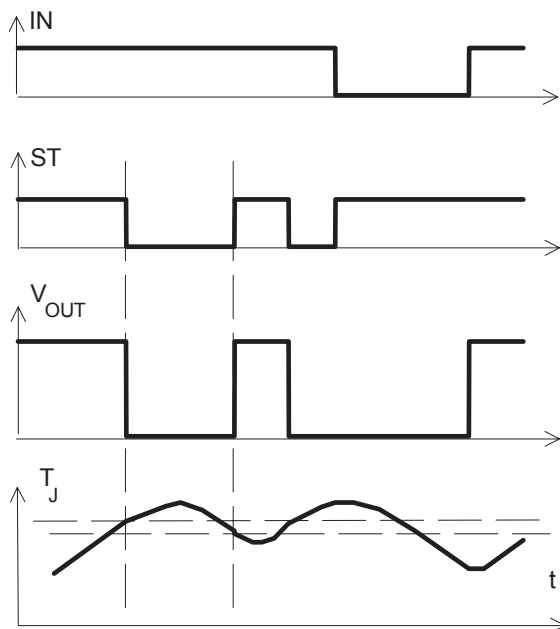
**Figure 2c:** Switching an inductive load


\*) if the time constant of load is too large, open-load-status may occur

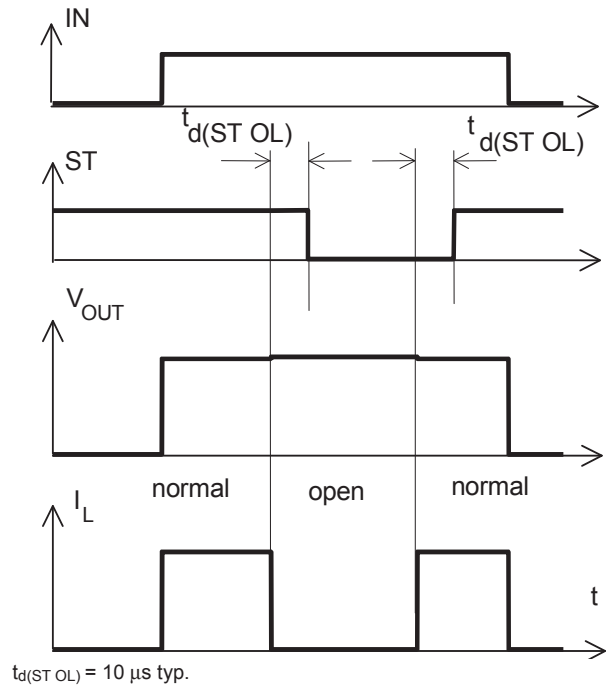
**Figure 3a:** Short circuit shut down by overtemperature, reset by cooling



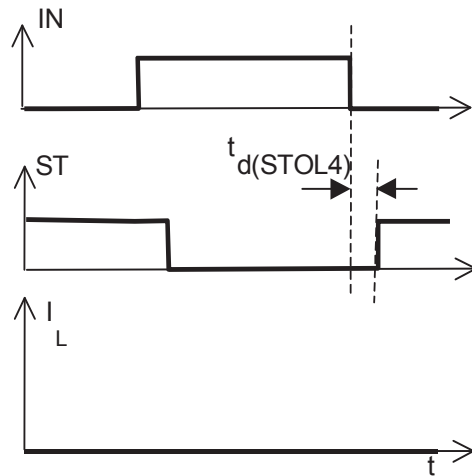
**Figure 4a:** Overtemperature: Reset if  $T_j < T_{jt}$



**Figure 5a:** Open load: detection in ON-state, open load occurs in on-state



**Figure 5b:** Open load: turn on/off to open load

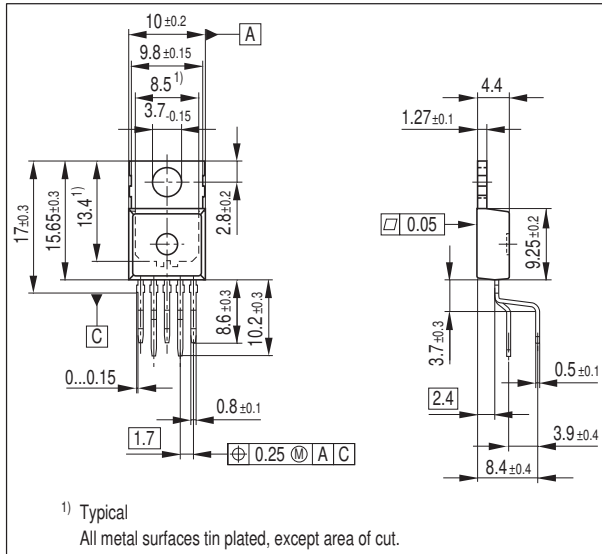


## Package and Ordering Code

All dimensions in mm

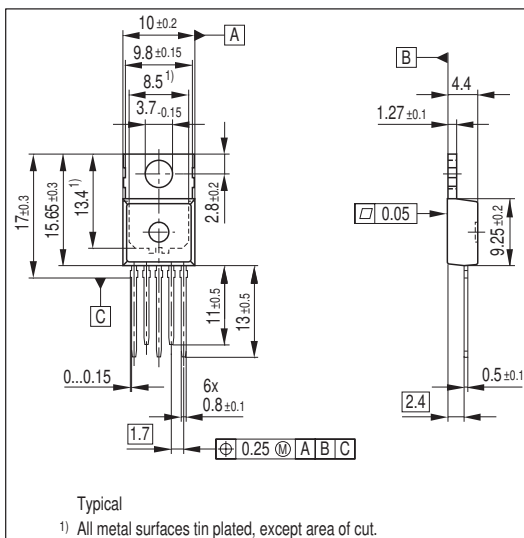
### Standard (=staggered): PG-TO220-5-11

|                |             |
|----------------|-------------|
| Sales code     | ITS436L2    |
| Ordering code: | SP000221231 |



### Straight: PG-TO220-5-12

|                |             |
|----------------|-------------|
| Sales code     | ITS436L2 S  |
| Ordering code: | SP000221232 |



Published by  
Infineon Technologies AG,  
St.-Martin-Strasse 53,  
D-81669 München  
© Infineon Technologies AG 2006  
All Rights Reserved.

#### Attention please!

The information herein is given to describe certain components and shall not be considered as a guarantee of characteristics.

Terms of delivery and rights to technical change reserved.

We hereby disclaim any and all warranties, including but not limited to warranties of non-infringement, regarding circuits, descriptions and charts stated herein.

Infineon Technologies is an approved CECC manufacturer.

#### Information

For further information on technology, delivery terms and conditions and prices please contact your nearest Infineon Technologies Office in Germany or our Infineon Technologies Representatives worldwide (see address list).

#### Warnings

Due to technical requirements components may contain dangerous substances. For information on the types in question please contact your nearest Infineon Technologies Office.

Infineon Technologies Components may only be used in life-support devices or systems with the express written approval of Infineon Technologies, if a failure of such components can reasonably be expected to cause the failure of that life-support device or system, or to affect the safety or effectiveness of that device or system. Life support devices or systems are intended to be implanted in the human body, or to support and/or maintain and sustain and/or protect human life. If they fail, it is reasonable to assume that the health of the user or other persons may be endangered.