



Chipsmall Limited consists of a professional team with an average of over 10 year of expertise in the distribution of electronic components. Based in Hongkong, we have already established firm and mutual-benefit business relationships with customers from,Europe,America and south Asia,supplying obsolete and hard-to-find components to meet their specific needs.

With the principle of “Quality Parts,Customers Priority,Honest Operation,and Considerate Service”,our business mainly focus on the distribution of electronic components. Line cards we deal with include Microchip,ALPS,ROHM,Xilinx,Pulse,ON,Everlight and Freescale. Main products comprise IC,Modules,Potentiometer,IC Socket,Relay,Connector.Our parts cover such applications as commercial,industrial, and automotives areas.

We are looking forward to setting up business relationship with you and hope to provide you with the best service and solution. Let us make a better world for our industry!



Contact us

Tel: +86-755-8981 8866 Fax: +86-755-8427 6832

Email & Skype: info@chipsmall.com Web: www.chipsmall.com

Address: A1208, Overseas Decoration Building, #122 Zhenhua RD., Futian, Shenzhen, China



Manual On/ Auto OFF Passive Infrared Wall Switch Sensor

WALL SWITCH OCCUPANCY SENSORS

TITLE
24
COMPLIANCE



PROJECT INFORMATION

Project Name _____

Catalog No. _____

Date _____



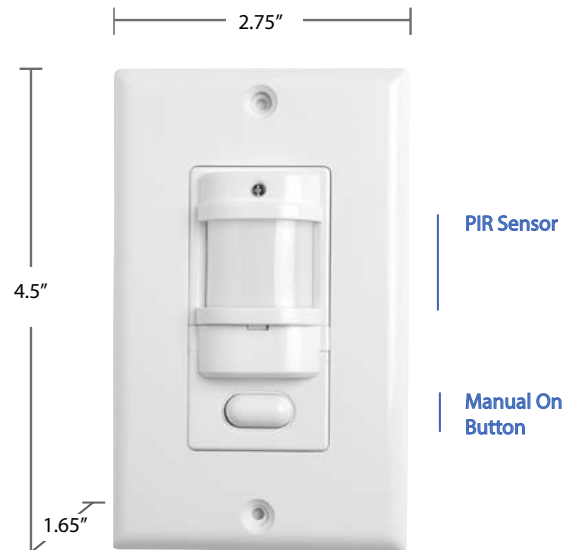
IWSZPM

The IWSZPM is a Title 24 compliant, manual-on, passive infrared (PIR) wall switch vacancy sensor that provides excellent energy savings and reliable motion detection. The sensor's low-profile casing design provides the perfect wall switch for residential areas, such as bathrooms, garages, laundry rooms, utility rooms, and dining rooms.

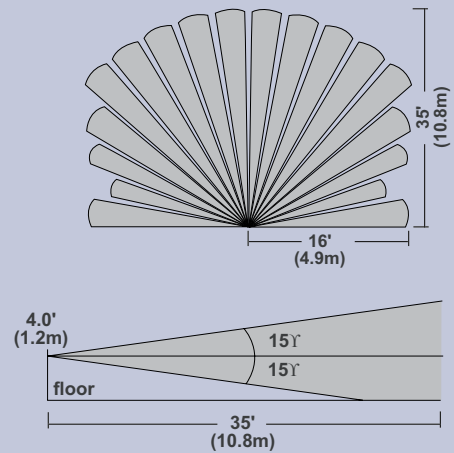
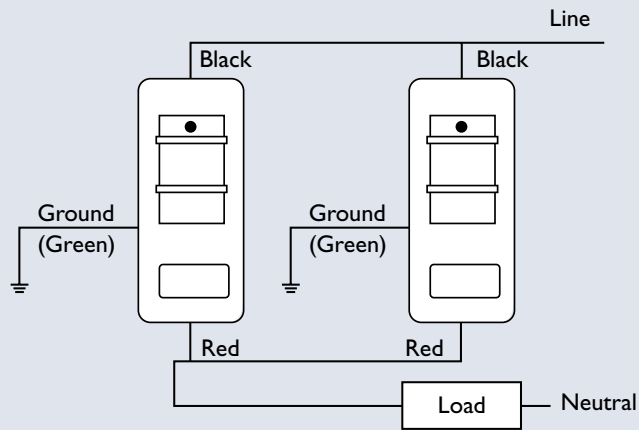
The IWSZPM's manual-on/automatic-off operation meets Title 24 guidelines for residential lighting, which require a person to manually turn on lighting and a system to automatically turn off lighting during vacancy.

PRODUCT FEATURES

- Zero Arc Point Switching
- No minimum load requirement
- Adjustable time delay and sensitivity
- Walk test indicator
- Dual 120/277 VAC operation
- UL and cUL listed
- Title 24 compliant
- Five-year limited warranty
- 120-277 Vac



HUBBELL
Control Solutions



General Specifications

Timer Timeout	Fully adjustable from 30 seconds to 30 minutes
Sensitivity	Fully adjustable from 20% to 100%
Passive Infrared	Multi-segment IR Fresnel lens
Photocell	Adjustable ambient light override ranges from approximately 5 foot-candles (50 lux) to 200 foot-candles (2000 lux)
Coverage	900 sq. ft., 180 degrees
Power Requirements	120 or 277VAC, 60 Hz
Electrical Ratings	120VAC: 800W Incandescent, 1000W Fluorescent, 1/6 HP 277VAC: 1800W Fluorescent, 1/6 HP
Load Requirements	No minimum load
Operating environment	Indoor use only Operating temperature: 32° to 122° F (0° to 50° C) 0% to 95% relative humidity, non-condensing
Construction	Housing – high-impact, injection-molded plastic Color-coded leads are 6" long
Dimensions	4.5" H x 2.75" W x 1.625" D
Weight	2.9 oz
Color	White
Mounting	Single gang NEMA style switch box, decorator style wall plate
Certifications	UL and cUL Listed
Warranty	Five-year limited

Ordering Information

IWSZP	M	
MODEL	CONTROL	COLOR
IWSZP	M Manual On/Auto Off	W White I Ivory



HUBBELL
Control Solutions

9601 Dessau Road | Building One | Austin, Texas 78754 | 512-450-1100 | 512-450-1215 fax | www.hubbell-automation.com

1107A 2.3.2016