



Chipsmall Limited consists of a professional team with an average of over 10 year of expertise in the distribution of electronic components. Based in Hongkong, we have already established firm and mutual-benefit business relationships with customers from,Europe,America and south Asia,supplying obsolete and hard-to-find components to meet their specific needs.

With the principle of "Quality Parts,Customers Priority,Honest Operation,and Considerate Service",our business mainly focus on the distribution of electronic components. Line cards we deal with include Microchip,ALPS,ROHM,Xilinx,Pulse,ON,Everlight and Freescale. Main products comprise IC,Modules,Potentiometer,IC Socket,Relay,Connector.Our parts cover such applications as commercial,industrial, and automotives areas.

We are looking forward to setting up business relationship with you and hope to provide you with the best service and solution. Let us make a better world for our industry!



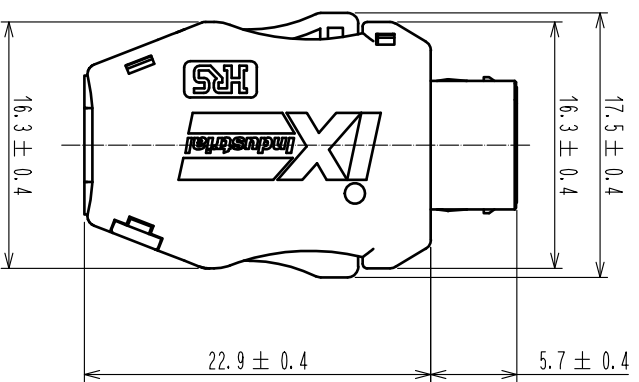
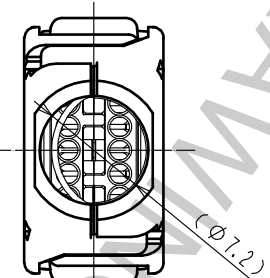
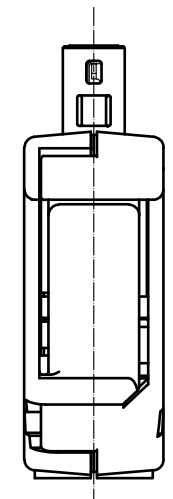
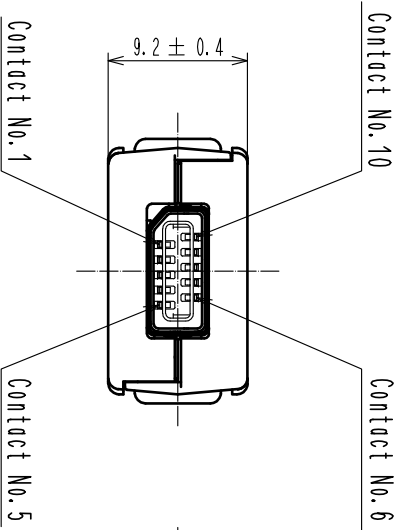
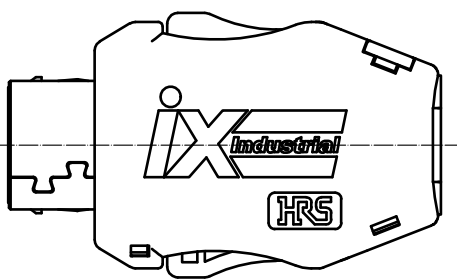
Contact us

Tel: +86-755-8981 8866 Fax: +86-755-8427 6832

Email & Skype: info@chipsmall.com Web: www.chipsmall.com

Address: A1208, Overseas Decoration Building, #122 Zhenhua RD., Futian, Shenzhen, China





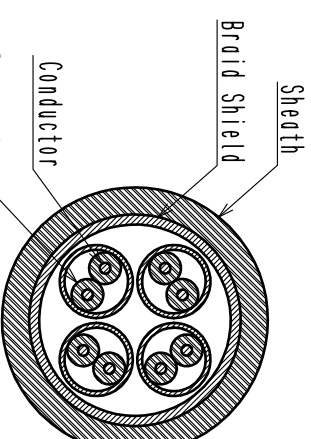
Pin Assignment For 10/100 Mbit/s And 1/10 Gbit/s Ethernet

Contact No.	Signal	
	10/100 Mbit/s	1/10 Gbit/s
1	TX+	BI_DA+
2	TX-	BI_DA-
3	N.C	N.C
4	N.C	BI_DC+
5	N.C	BI_DC-
6	RX+	BI_DB+
7	RX-	BI_DB-
8	N.C	N.C
9	N.C	BI_DD+
10	N.C	BI_DD-

Notes. 1. Applicable cable condition is shown below.
 In case of using a not applicable cable, please contact our sales representative.
 Refer to the technical specification (ETAD-E3162-00) for wiring and assembly procedure.

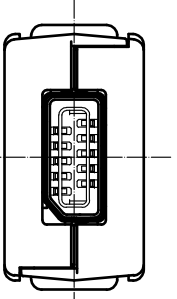
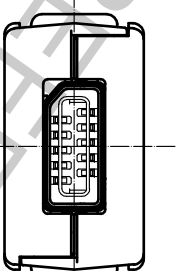
Applicable Cable

Items		Applicable Condition
Conductor	Size	AWG#24
	Composition	7 stranded
Material		Annealed copper wire
Insulation O.D.		φ1.1 to 1.25mm
Braid Shield		Tin plating
Sheath O.D.		φ6.3 to 7.2mm



2. This product (Type A) is defined for 10/100 Mbit/s and 1/10 Gbit/s Ethernet communication. Please use Type B for all other non Ethernet applications like signaling, serial or other industrial bus communication systems.

Mating Shape



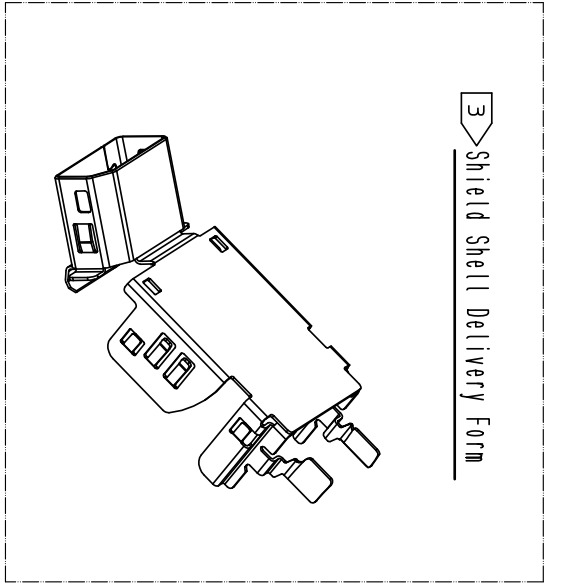
3. This product except plug unit is packed separately by the types of parts.
 Shield shell is packed in pre-bended state. (See next page.)

NO.	MATERIAL	FINISH	REMARKS	NO.	MATERIAL	FINISH	REMARKS
1	Copper Alloy		Contact area : Gold 0.2 μm min Wiring area : Gold 0.03 μm min Under plating : Nickel 2 μm min	5	PC		
2	PA		Dark gray - UL94V-0	6	Stainless Steel		Nickel 1 μm min
3	Stainless Steel		Dark gray - UL94V-0	7	Stainless Steel		Nickel 0.2 μm min
4	PA		Black - UL94V-0	8	PC		Dark gray - UL94V-0

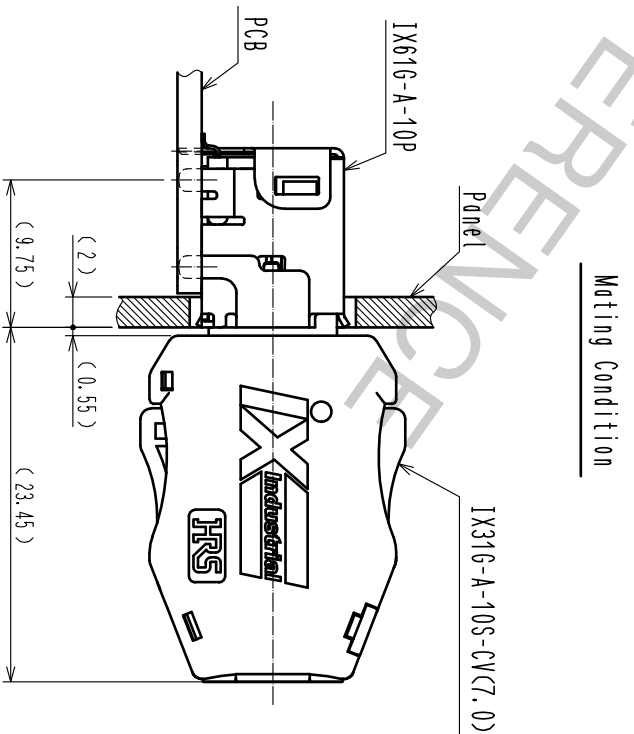
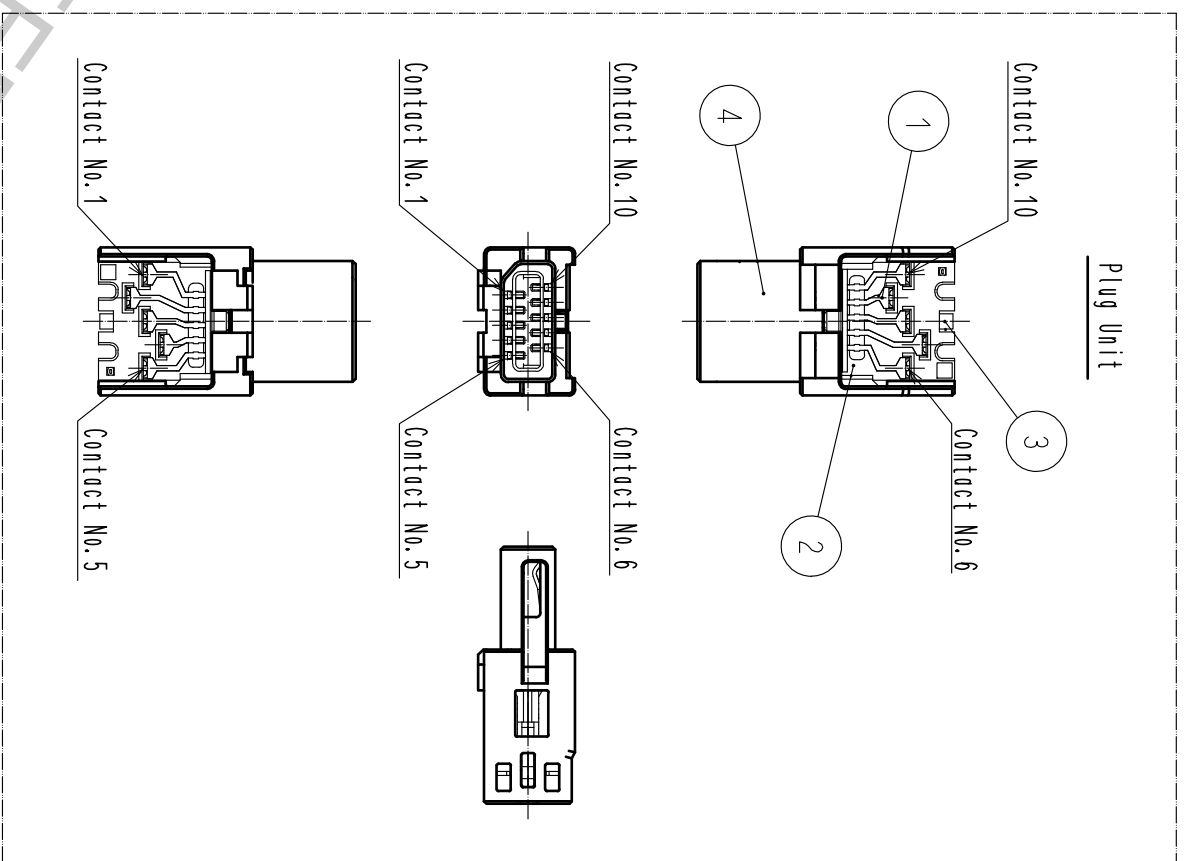
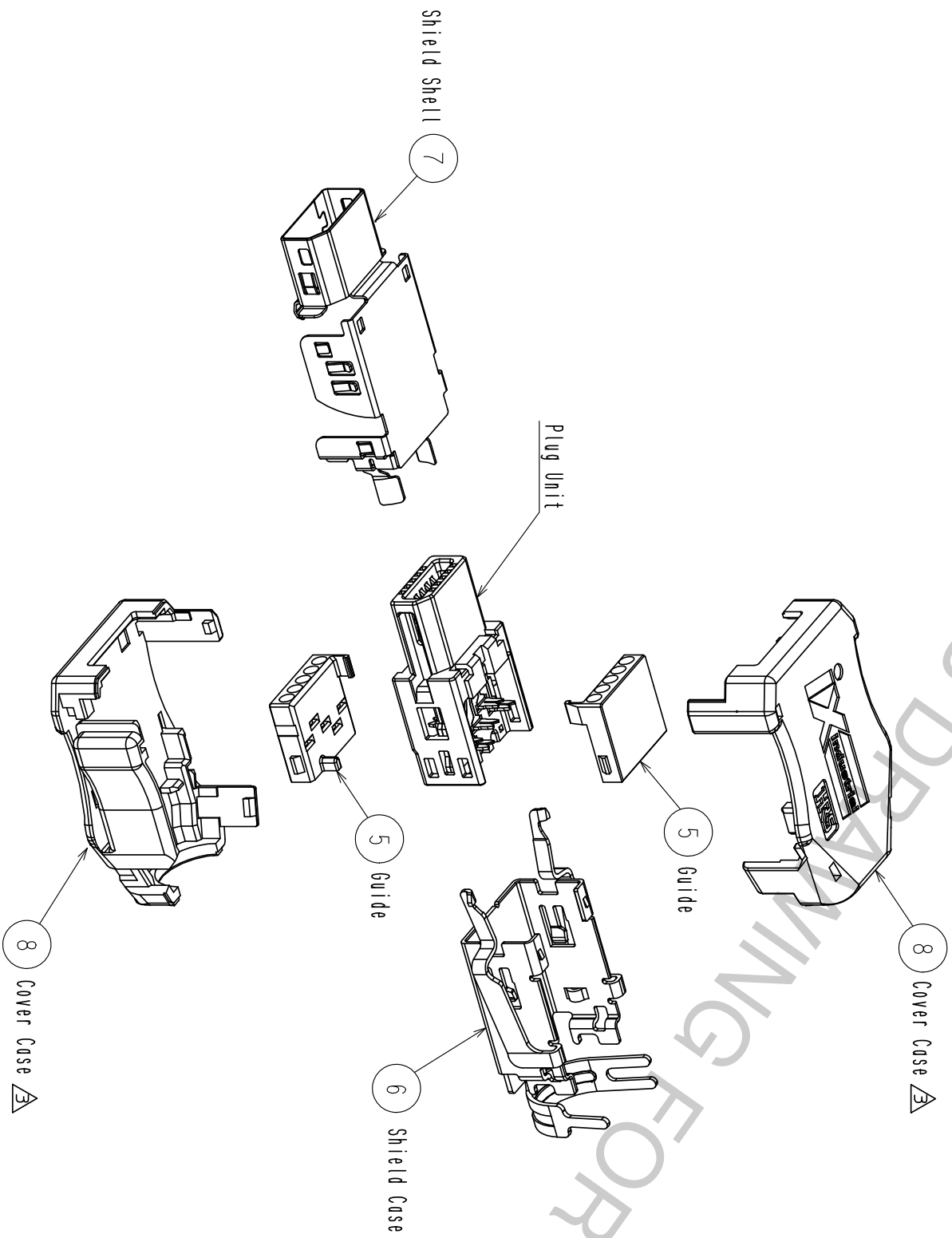
UNITS	SCALE	COUNT	DESCRIPTION OF REVISIONS	DESIGNED	CHECKED	DATE
mm	2 : 1	2	DIS-E-00001437	SG. CHAMURA	KI. NAGANUMA	18.07.02



APPROVED	CHECKED	DESIGNED	DRAWING	PART NO.	CODE
.RI. TAKAYASU	.KI. NAGANUMA	.HT. SATO	17.03.24	IX31G-A-10S-CV(7.0)	CL251-0023-0-00



Product Structure



FORM HC0011-5-8

HRS	DRAWING NO.	EDC-129485-00-00
	PART NO.	IX31G-A-10S-CV(7.0)
	CODE	CL251-0023-0-00
	NO.	

2/2