



Chipsmall Limited consists of a professional team with an average of over 10 year of expertise in the distribution of electronic components. Based in Hongkong, we have already established firm and mutual-benefit business relationships with customers from,Europe,America and south Asia,supplying obsolete and hard-to-find components to meet their specific needs.

With the principle of "Quality Parts,Customers Priority,Honest Operation,and Considerate Service",our business mainly focus on the distribution of electronic components. Line cards we deal with include Microchip,ALPS,ROHM,Xilinx,Pulse,ON,Everlight and Freescale. Main products comprise IC,Modules,Potentiometer,IC Socket,Relay,Connector.Our parts cover such applications as commercial,industrial, and automotives areas.

We are looking forward to setting up business relationship with you and hope to provide you with the best service and solution. Let us make a better world for our industry!



Contact us

Tel: +86-755-8981 8866 Fax: +86-755-8427 6832

Email & Skype: info@chipsmall.com Web: www.chipsmall.com

Address: A1208, Overseas Decoration Building, #122 Zhenhua RD., Futian, Shenzhen, China



PulseJack® 2xN Gigabit PoE

U.S. Patent#7241181



Description:

10/100/1000Base-T RJ45 2xN PoE Integrated Connectors with Magnetics, with the addition of power feeding over signal pairs.



Features and Benefits:

- RoHS peak wave solder temperature rating 260°C
- Suitable for CAT 5 & 6 UTP cable or better
- Power over Ethernet enabled-compatible to IEEE 802.3af standard
- 350µH minimum OCL with 8mA bias current
- High performance for maximum EMI suppression

Electrical Specifications @ 25°C - Operating Temperature 0°C to +70°C

RoHS Compliant Part Number (Number of Ports)	LEDs (L/R)	Insertion TX/RX (dB TYP)	Return Loss (dB TYP) 100Ω (±15Ω)				Crosstalk (dB TYP)			Common Mode Rejection (dB TYP)		Hipot (Vdc MIN)
			1-125 MHz	1-40 MHz	60 MHz	100 MHz	1-10 MHz	30-60 MHz	60-100 MHz	1-10 MHz	10-150 MHz	
JOB-0364NL (2X4)	G-Y/G-Y	-0.8	-20	-17	-14	-40	-35	-30	-50	-40	2250	
JOB-0366NL (2X6)	G-Y/G-Y	-0.8	-20	-17	-14	-40	-35	-30	-50	-40	2250	
JOB-0368NL (2X8)	G-Y/G-Y	-0.8	-20	-17	-14	-40	-35	-30	-50	-40	2250	

Notes: 1. Bi-color LEDs: G-Y = green/yellow. Contact Pulse for LED options

RJ45 Durability Test Rating

Part Number	Mating Force (MAX)	Unmating Force (MAX)	Durability
JOB Series	5 lbs./2.268 kgs.	5 lbs./2.268 kgs.	750 Insertions

RJ45 Material Specification

Part Number	Shield		Contact			Housing		MSL Rating
	Material	Finish	Material	Plating Area	Solder Area	Material	Specification	
JOB Series	Brass	20-40µ inches thick nickel over brass	5 lbs./2.268 kgs.	50µ inches gold over 30-50µ inches nickel	75-300µ inches tin-lead over 50-100µ inches nickel	Thermoplastic	UL 94 V-0	1

Notes:

1. Connector dimensions comply with FCC dimension requirements.

USA 858 674 8100

Germany 49 7032 7806 0

Singapore 65 6287 8998

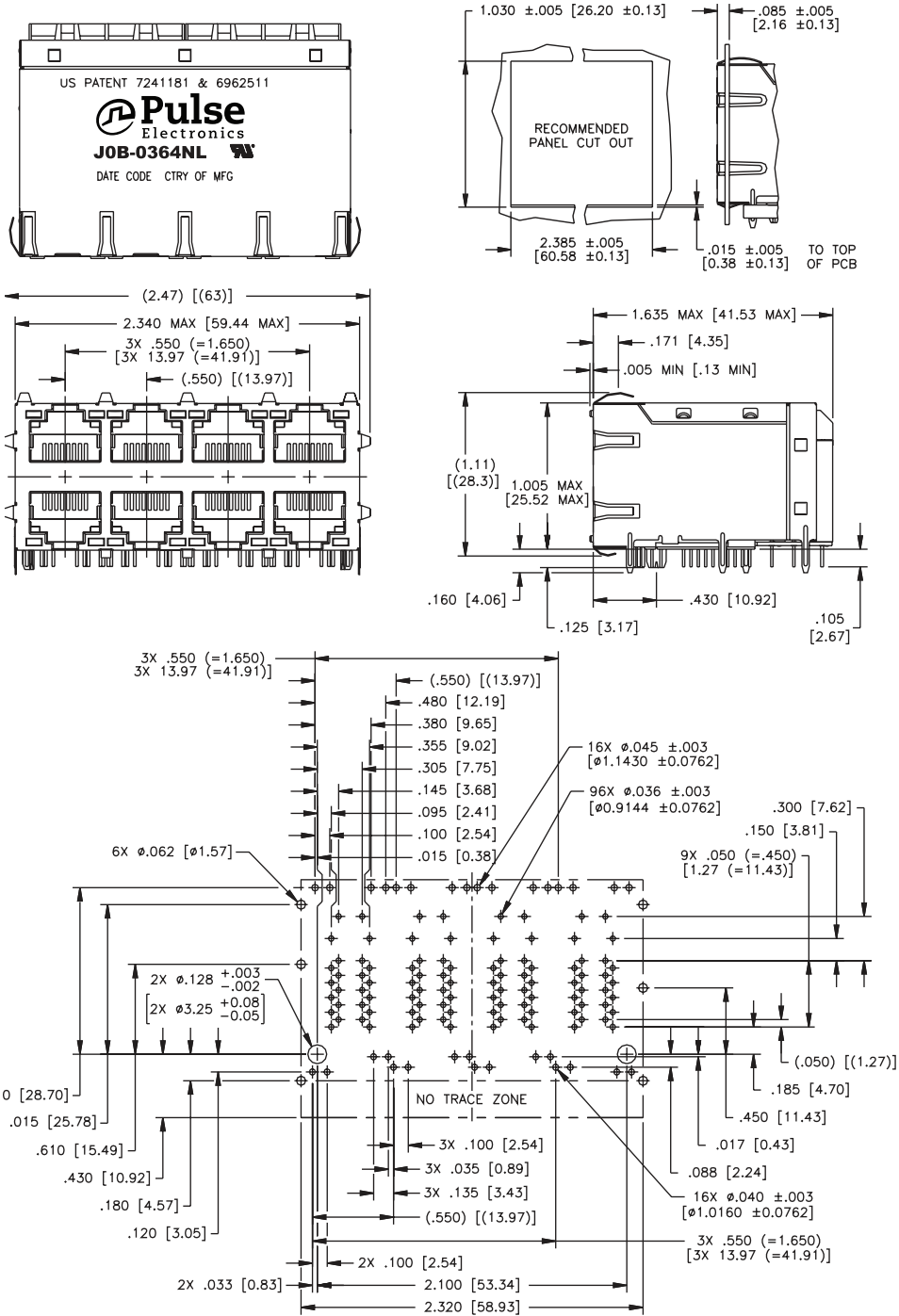
Shanghai 86 21 62787060

China 86 755 33966678

Taiwan 886 3 4356768

2X4 Mechanicals

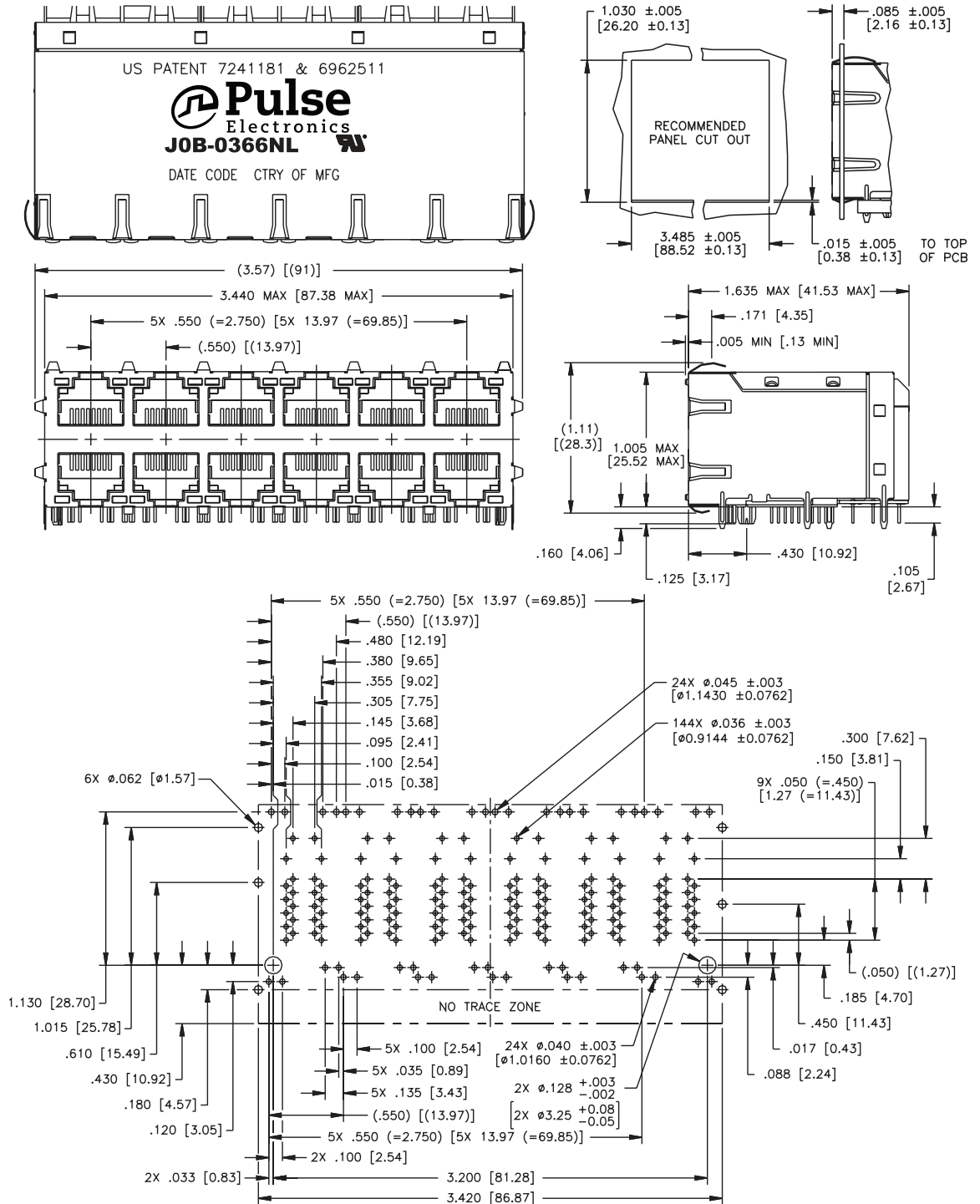
JOB-0364NL



SUGGESTED PC BOARD LAYOUT VIEWED FROM COMPONENT SIDE
UNLESS OTHERWISE SPECIFIED DIMENSIONAL TOLERANCE IS ±.002

2X6 Mechanicals

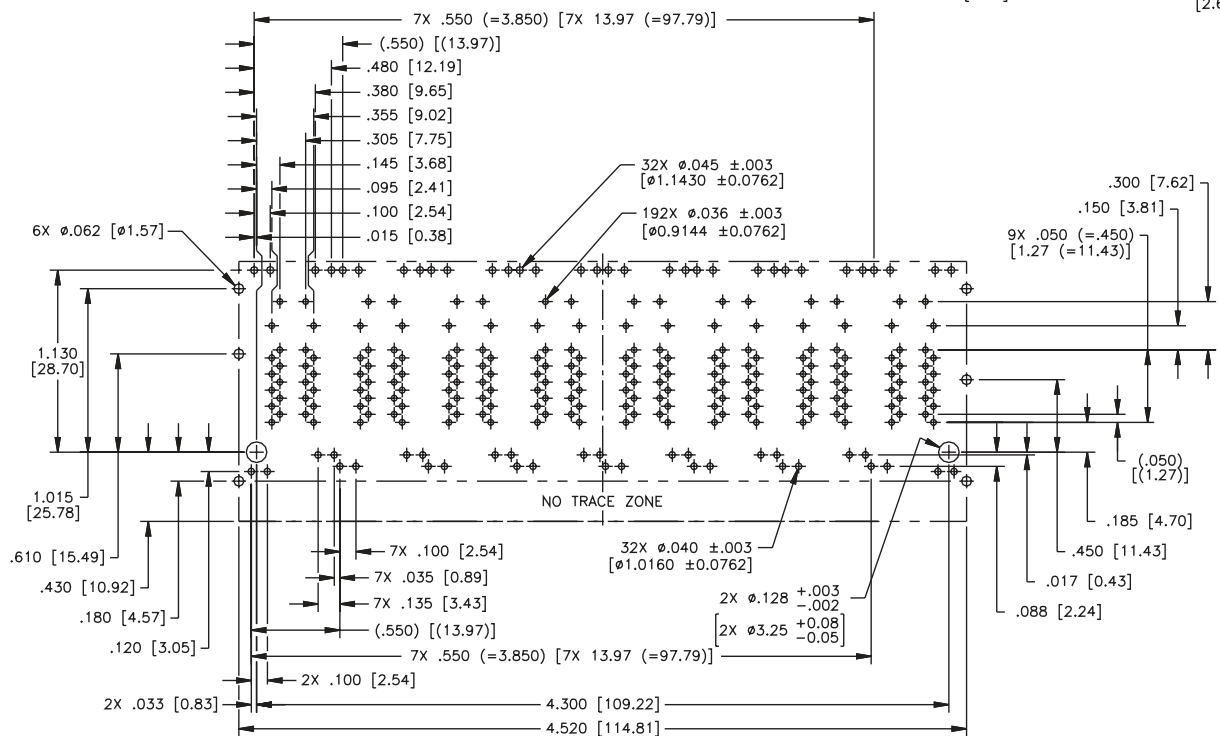
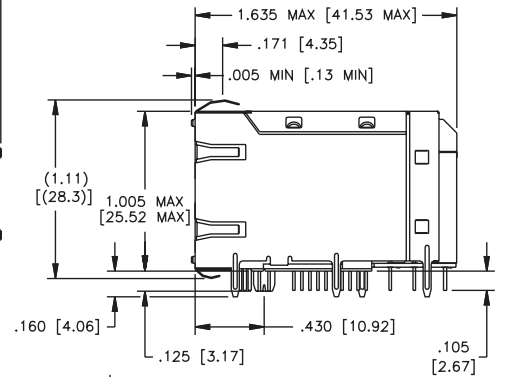
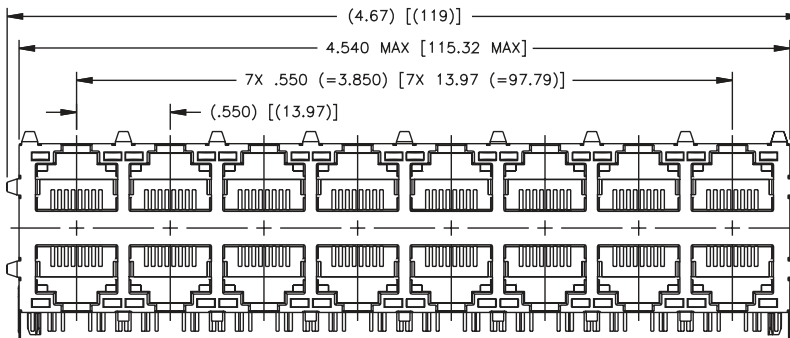
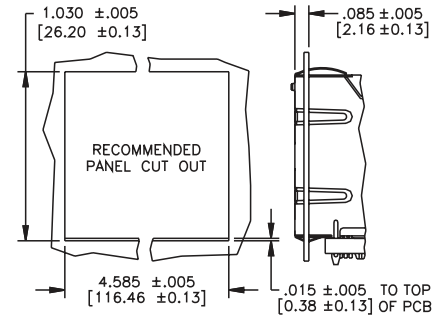
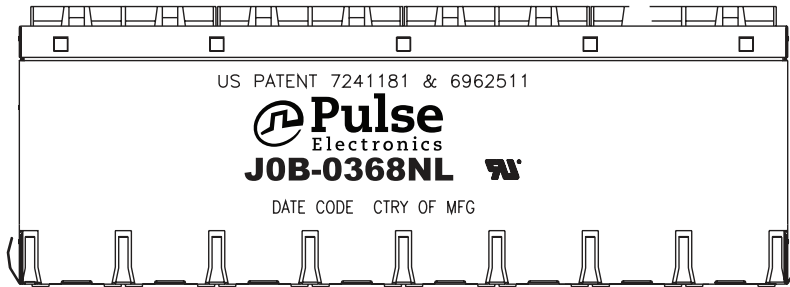
JOB-0366NL



SUGGESTED PC BOARD LAYOUT VIEWED FROM COMPONENT SIDE
UNLESS OTHERWISE SPECIFIED DIMENSIONAL TOLERANCE IS ±.002

2X8 Mechanicals

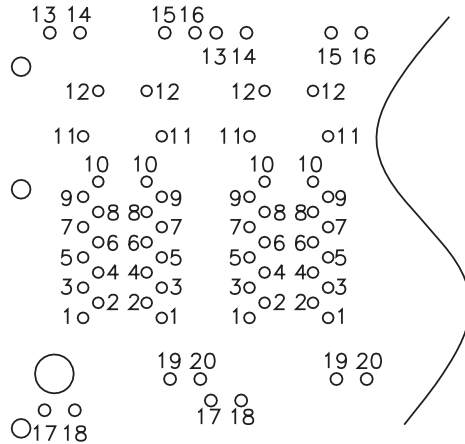
JOB-0368NL



SUGGESTED PC BOARD LAYOUT VIEWED FROM COMPONENT SIDE
UNLESS OTHERWISE SPECIFIED DIMENSIONAL TOLERANCE IS ±.002

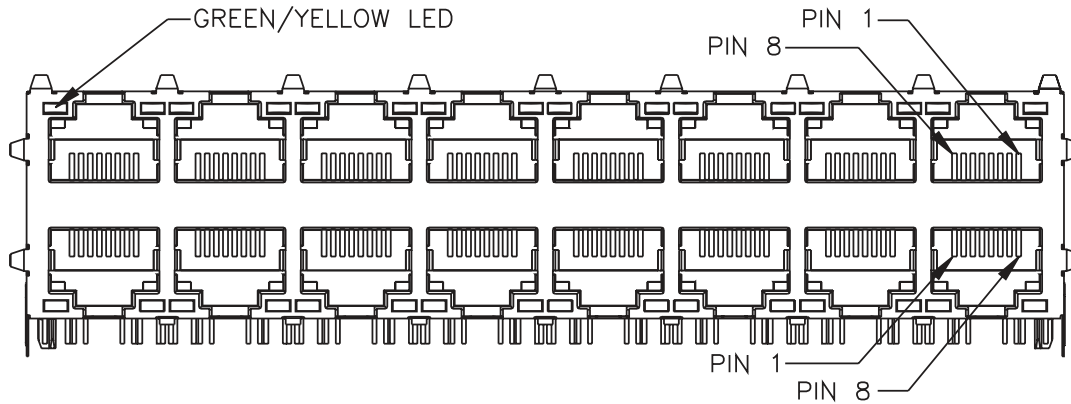
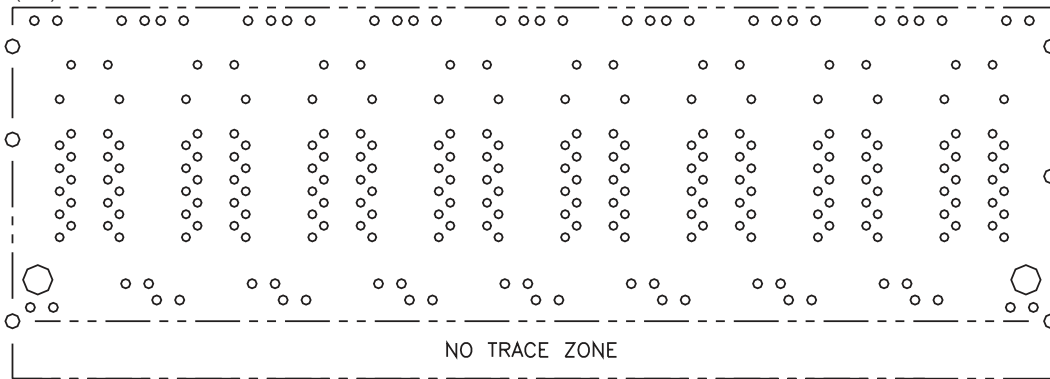
Pin-Out Assignment

J0B-0364NL/66NL/68NL



PIN ASSIGNMENT (COMPONENT SIDE VIEW)

NOTE: All parts use the same port identification system. J0B-0368NL (2x8) shown here.

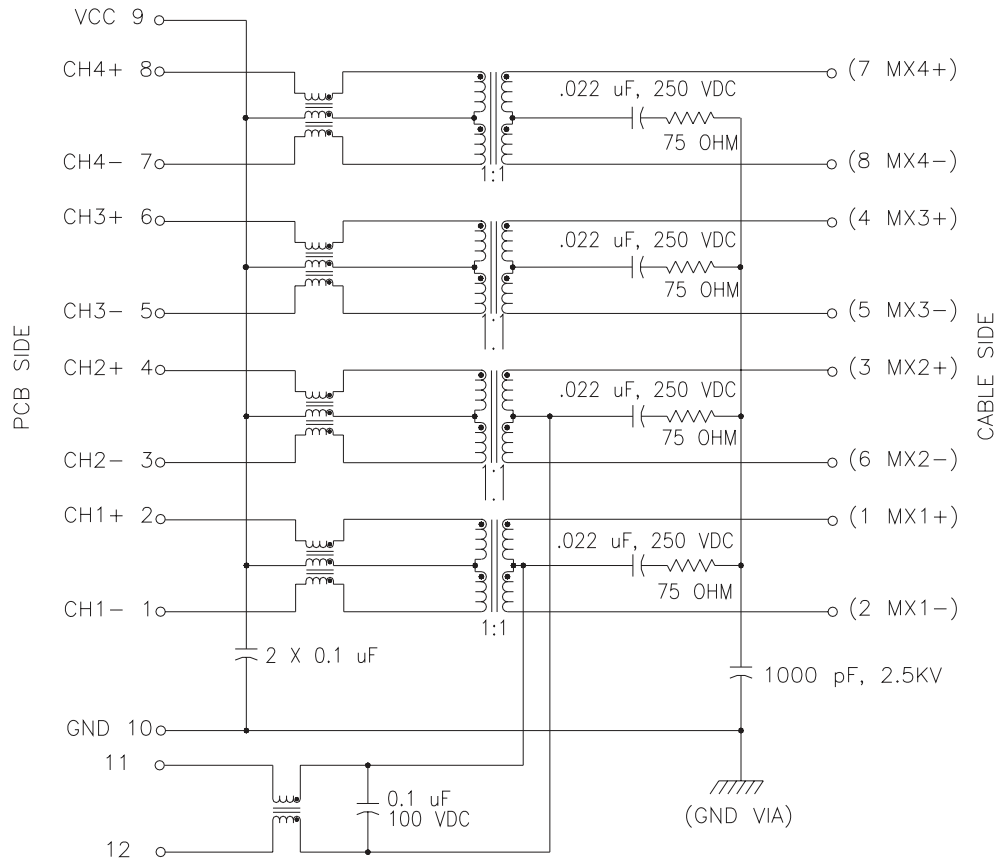


PulseJack® 2xN Gigabit PoE

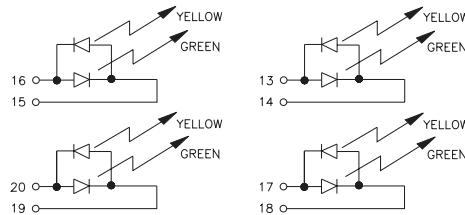
U.S. Patent#7241181

Schematic

JOB-0364NL/66NL/68NL



EMMITTED COLOR	GREEN	YELLOW
WAVELENGTH (nm)	570 nm	590 nm
BRIGHTNESS (mCD)	8.5 TYP. @ 20mA	6 TYP. @ 20 mA
VIEWING ANGLE	100°	100°
POWER DISSIPATION (Pd)	85 mW MAX	85 mW MAX
FORWARD VOLTAGE (Vf)	2.2 TO 2.8 V	2.15 TO 2.8 V
REVERSE VOLTAGE (Vr)	5.0 V MAX	5.0 V MAX



For More Information

Pulse Worldwide Headquarters
12220 World Trade Drive
San Diego, CA
92128
U.S.A.

Tel: 858 674 8100

Pulse Europe
Einsteinstrasse 1
D-71083 Herrenberg
Germany

Tel: 49 7032 7806

Pulse China Headquarters
B402, Shenzhen Academy of
Aerospace Technol-
ogy Bldg.
10th Kejinan Road
High-Tech Zone
Nanshan District
Shenzhen, PR China
518057

Pulse North China
Room 2704/2705
Super Ocean Finance
Ctr.
2067 Yan An Road
West
Shanghai 200336
China

Pulse South Asia
135 Joo Seng Road
#03-02
PM Industrial Bldg.
Singapore 368363

Tel: 65 6287 8998
Fax: 65 6287 8998

Pulse North Asia
3F, No. 198
Zhongyuan Road
Zhongli City
Taoyuan County 320
Taiwan R. O. C.
Tel: 886 3 4356768
Fax: 886 3 4356823
(Pulse)

Performance warranty of products offered on this data sheet is limited to the parameters specified. Data is subject to change without notice. Other brand and product names mentioned herein may be trademarks or registered trademarks of their respective owners. © Copyright, 2014, Pulse Electronics, Inc. All rights reserved.