



Chipsmall Limited consists of a professional team with an average of over 10 year of expertise in the distribution of electronic components. Based in Hongkong, we have already established firm and mutual-benefit business relationships with customers from,Europe,America and south Asia,supplying obsolete and hard-to-find components to meet their specific needs.

With the principle of "Quality Parts,Customers Priority,Honest Operation,and Considerate Service",our business mainly focus on the distribution of electronic components. Line cards we deal with include Microchip,ALPS,ROHM,Xilinx,Pulse,ON,Everlight and Freescale. Main products comprise IC,Modules,Potentiometer,IC Socket,Relay,Connector.Our parts cover such applications as commercial,industrial, and automotives areas.

We are looking forward to setting up business relationship with you and hope to provide you with the best service and solution. Let us make a better world for our industry!



## Contact us

Tel: +86-755-8981 8866 Fax: +86-755-8427 6832


Email & Skype: info@chipsmall.com Web: www.chipsmall.com

Address: A1208, Overseas Decoration Building, #122 Zhenhua RD., Futian, Shenzhen, China




NOTES: UNLESS OTHERWISE SPECIFIED

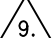
1. THIS COMPONENT CONFORMS TO UL60950. UL FILE NO. IS: E216117.

	<b>WARNING:</b> THIS COMPONENT IS RECOGNIZED BY ONE OR MORE SAFETY AGENCIES SUCH AS UL, VDE, CSA AND/OR TUV. ALL ENGINEERING CHANGES MUST HAVE PRIOR APPROVAL BY THE DESIGN CENTER PRODUCT SAFETY DEPARTMENT FOR SAFETY AGENCY COMPLIANCE.	<b>DESIGN APPROVAL:</b> OR APPROVAL:
		<b>DATE:</b>

2. 

	<b>NOTICE:</b> THIS IS A RoHS COMPLIANT COMPONENT/PRODUCT. ALL ENGINEERING CHANGES MUST HAVE PRIOR APPROVAL BY THE DESIGN CENTER.
-----------------------------------------------------------------------------------	-----------------------------------------------------------------------------------------------------------------------------------

3. PLASTIC HOUSING: THERMOPLASTIC MATERIAL WITH FLAMMABILITY RATING UL 94V-0 OR BETTER.  
 4. CONTACT BASE MATERIAL: PHOSPHOR BRONZE.  
 5. CONTACTS UNDERPLATE: 30-50 MICROINCHES DUCTILE NICKEL.  
 6. CONTACTS PLATING: 30 MICROINCHES GOLD PLATING.  
 7. SOLDER TAIL PLATING MATERIAL: 200-500 uINCHES 100% TIN, MATTE FINISH.  
 8. METAL SHIELD: NICKEL PLATING ON COPPER ALLOY.

9.  JACK CAVITY CONFORMS TO FCC RULES AND REGULATIONS PART 68 SUBPART F.

10. PCB PLATING: HASL (TOP PCB)  
ENIG (BOTTOM PCB)  
 11. SOLDERABILITY: CONFORMS TO ANSI/J-STD-002, IPC/EIA J-STD-003A.  
 12. OPERATING TEMPERATURE: 0°C TO +70°C  
 13. STORAGE TEMPERATURE: -20°C TO +125°C  
 14. JEDEC MOISTURE: LEVEL 1.  
 15. DIMENSIONS ARE IN INCHES [MILLIMETERS] WITH THE FOLLOWING TOLERANCES: [MILLIMETERS] ARE FOR REFERENCE ONLY.  
 .XX= ±0.02 [±0.5]  
 .XXX= ±0.010 [±0.25]

ELECTRICAL CHARACTERISTICS AT +25°C UNLESS OTHERWISE SPECIFIED (FOR REFERENCE ONLY. USED FOR CUSTOMER INFORMATION.)

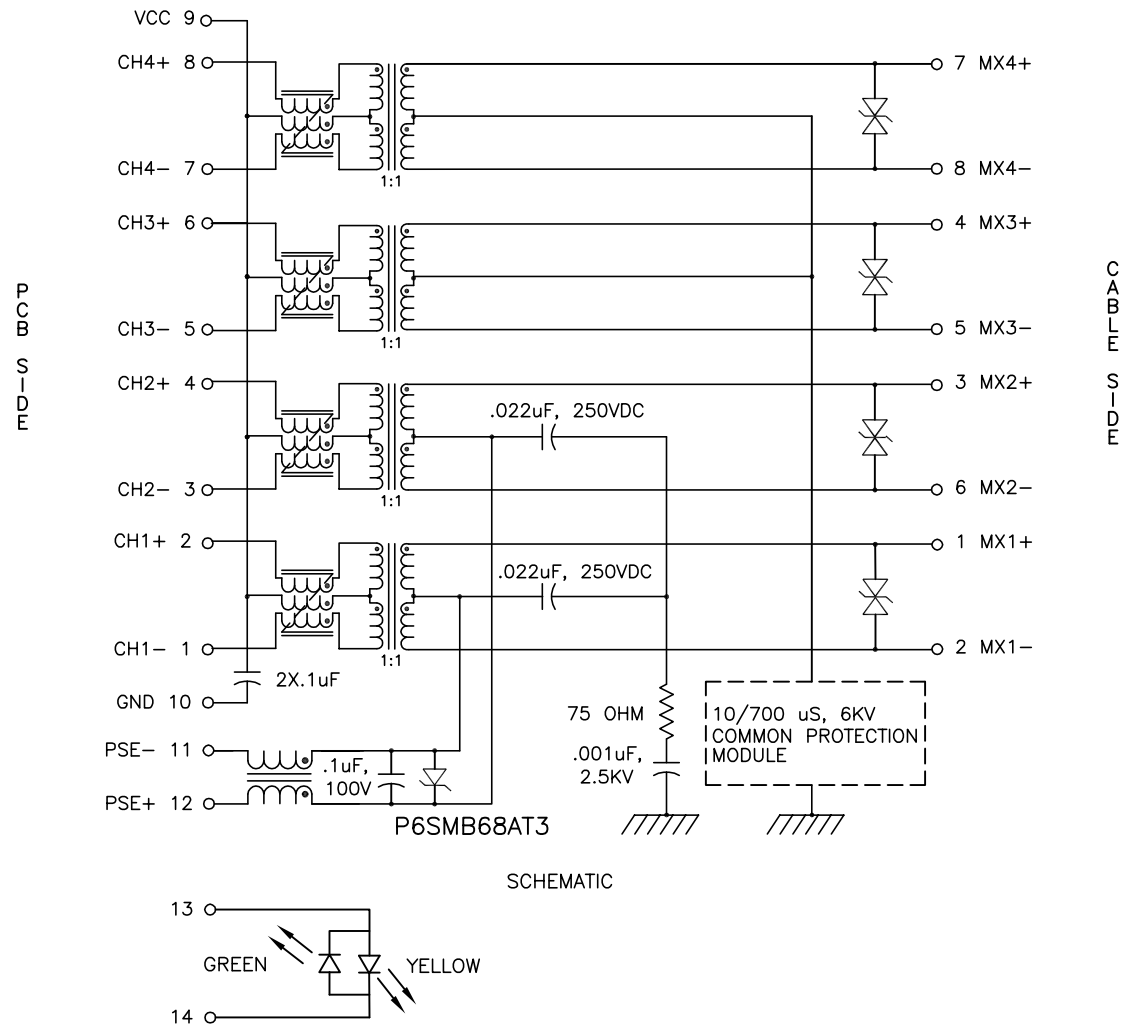
PARAMETER	SPECIFICATIONS				
OPERATING TEMP	0°C - 70°C				
URNS RATIO	1.00 ± 2%				
POLARITY	PER SCHEMATIC				
INSERTION LOSS	1-30 MHz	100 MHz	125 MHz		
	-1.0 dB MAX	-1.8 dB MAX	-3.0 dB MAX		
RETURN LOSS (Z OUT = 100 OHM ±15%)	1 MHz	40 MHz	60 MHz	80 MHz	100 MHz
	-20 dB MIN	-18 dB MIN	-14.4 dB MIN	-12 dB MIN	-10 dB MIN
INDUCTANCE (OCL) ⊕ 100KHz, 100mVRMS FROM 0°C TO 70°C	MP1, MX2			MX3, MX4	
	120 uH MIN WITH 19 mA DC BIAS & 350 uH MIN WITH 8 mA DC BIAS			350 uH MIN WITH 8 mA DC BIAS	
CROSSTALK, ADJACENT CHANNELS	1 MHz	30 MHz	60 MHz	100 MHz	
	-50 dB MIN	-43 dB MIN	-38 dB MIN	-33 dB MIN	
COMMON MODE REJECTION RATIO	125 MHz	250 MHz	375 MHz	500 MHz	625-1000 MHz
	-35 dB MIN	-28 dB MIN	-24 dB MIN	-18 dB MIN	-15 dB MIN
DC RESISTANCE, 1/2 WINDING	.65 OHMS MAX				
DC RESISTANCE IMBALANCE	±.065 OHMS MAX (CENTER TAP SYMMETRY)				
DC CURRENT/VOLTAGE RATING - PSE PINS	720 mA MAXIMUM, ⊕ 57 V (CONTINUOUS)				
WORKING VOLTAGE	BELOW 24 VOLTAGES				

EMMITTED COLOR	YELLOW	GREEN
WAVELENGTH (nm)	585 nm	565 nm
BRIGHTNESS (mCD)	5 TO 7 TYP. ⊕ 10mA	6 TO 8 TYP. ⊕ 10mA
VIEWING ANGLE	85 - 100°	85 - 100°
POWER DISSIPATION (Pd)	80 mW MAX	80 mW MAX
DC FORWARD CURRENT	100 mA MAX	100 mA MAX
REVERSE VOLTAGE (Vr)	2.1 TO 2.6 VOLTS	2.1 TO 2.6 VOLTS

NOTE: PER VENDOR'S SPECIFICATIONS

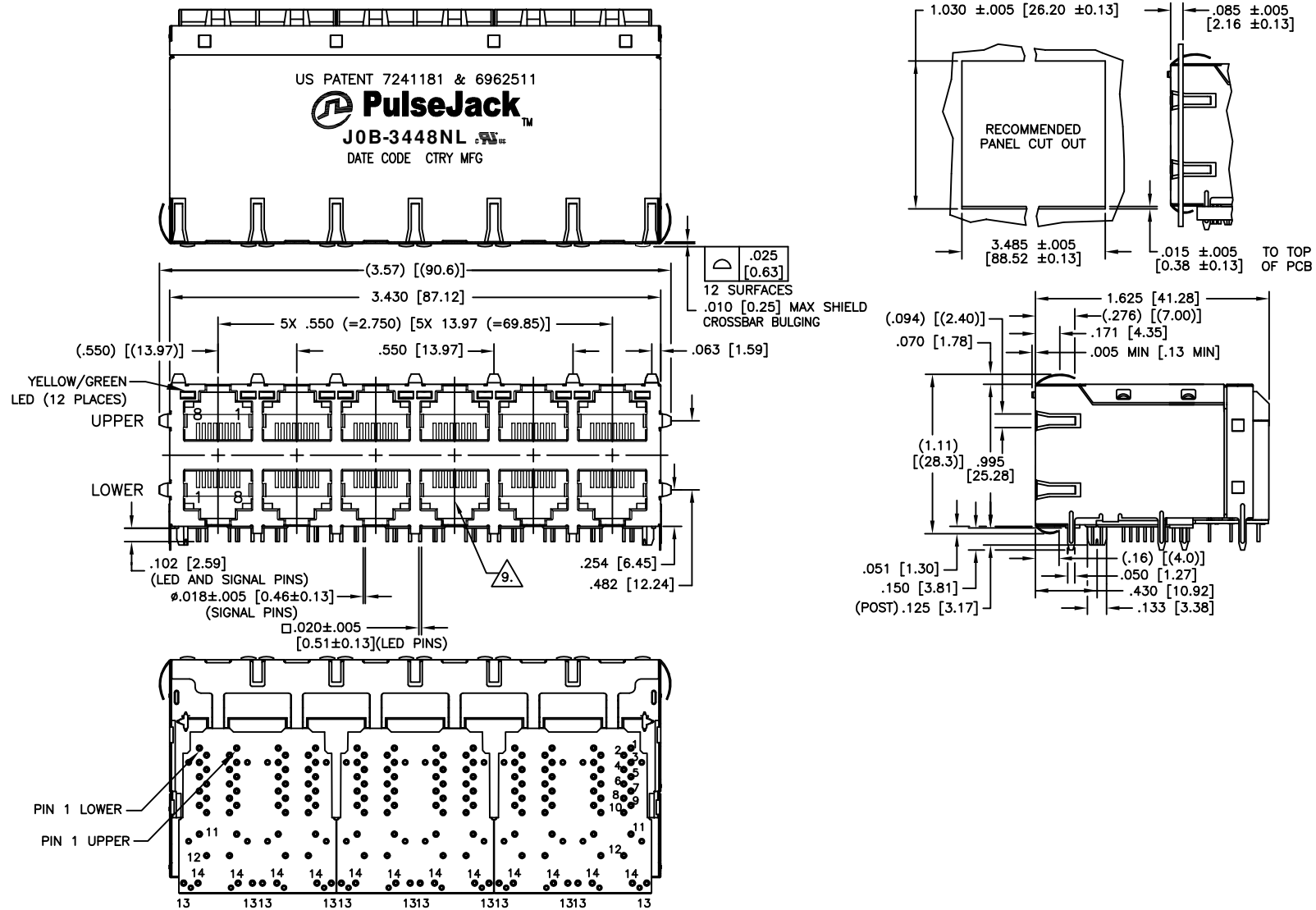
© Copyright, 2013. Pulse Electronics Corp. All rights reserved. Drawing specifications subject to change without notice. (01/13/14)

PULSE CONFIDENTIAL & PROPRIETARY	PRODUCT DESCRIPTION	PS DRAWING	SHEET:	DWG. NO./ PART NO.	REV.
	CONN,RJ45,2X6,1GPP,1:1,TY	PS-2417.374-D	1	JOB-3448NL	M10



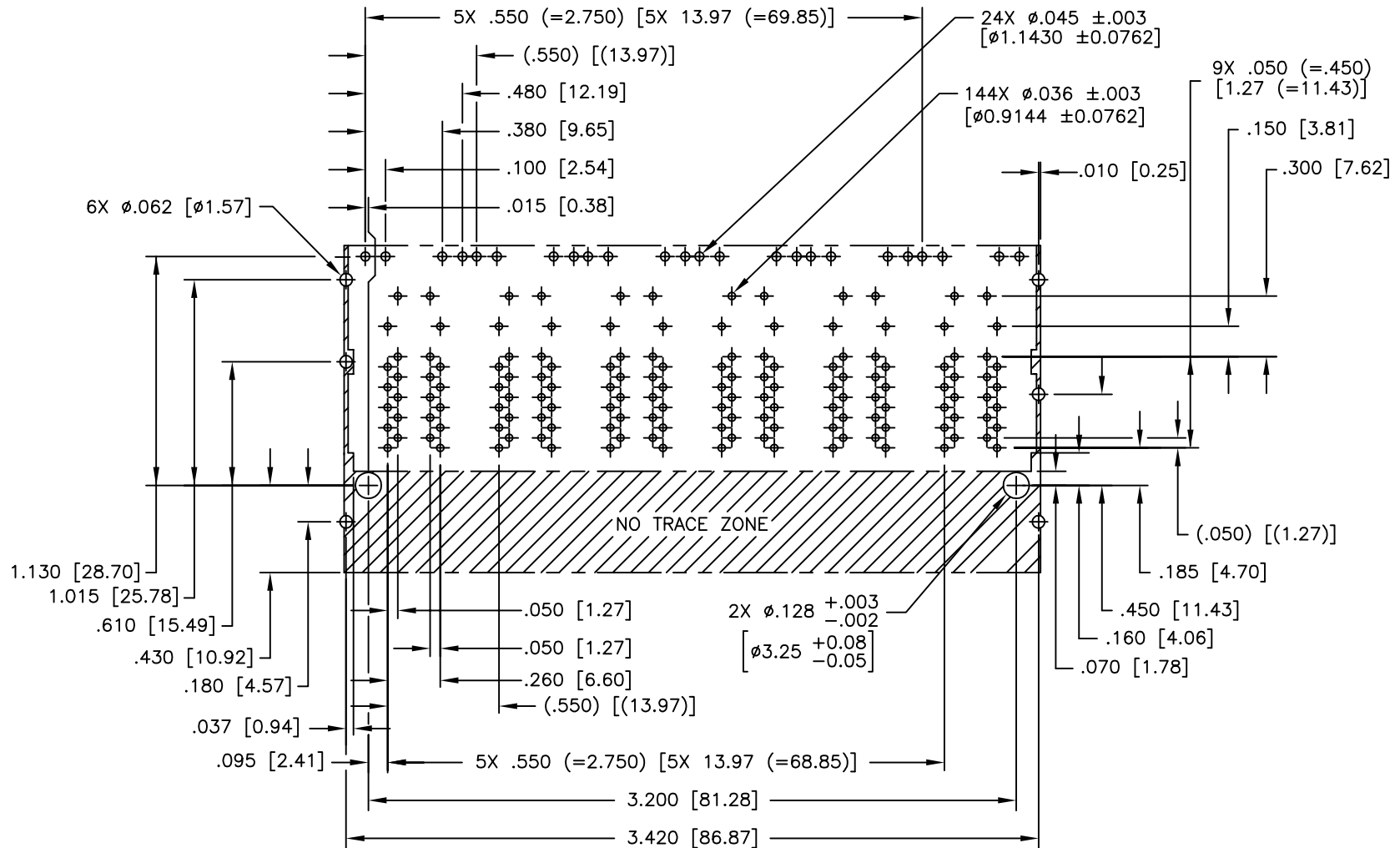
© Copyright, 2013. Pulse Electronics Corp. All rights reserved. Drawing specifications subject to change without notice. (01/13/14)

PULSE CONFIDENTIAL & PROPRIETARY	PRODUCT DESCRIPTION	PS DRAWING	SHEET:	DWG. NO./ PART NO.	REV.
	CONN,RJ45,2X6,1GPP,1:1,TY	PS-2417.374-D	2	JOB-3448NL	M10



© Copyright, 2013. Pulse Electronics Corp. All rights reserved. Drawing specifications subject to change without notice. (01/13/14)

PULSE CONFIDENTIAL & PROPRIETARY	PRODUCT DESCRIPTION	PS DRAWING	SHEET:	DWG. NO./ PART NO.	REV.
	CONN,RJ45,2X6,1GPP,1:1,TY	PS-2417.374-D	3	JOB-3448NL	M10



- NOTES: 1. NO TRACE ZONE PLATED HOLE NON-PLATED HOLE  
 2. SUGGESTED PC BOARD LAYOUT VIEWED FROM COMPONENT SIDE  
 3. UNLESS OTHERWISE SPECIFIED DIMENSIONAL TOLERANCE IS  $\pm 0.02$

© Copyright, 2013. Pulse Electronics Corp. All rights reserved. Drawing specifications subject to change without notice. (01/13/14)

PULSE CONFIDENTIAL & PROPRIETARY	PRODUCT DESCRIPTION	PS DRAWING	SHEET:	DWG. NO./ PART NO.	REV.
	CONN,RJ45,2X6,1GPP,1:1,TY	PS-2417.374-D	4	JOB-3448NL	M10