



Chipsmall Limited consists of a professional team with an average of over 10 year of expertise in the distribution of electronic components. Based in Hongkong, we have already established firm and mutual-benefit business relationships with customers from,Europe,America and south Asia,supplying obsolete and hard-to-find components to meet their specific needs.

With the principle of “Quality Parts,Customers Priority,Honest Operation,and Considerate Service”,our business mainly focus on the distribution of electronic components. Line cards we deal with include Microchip,ALPS,ROHM,Xilinx,Pulse,ON,Everlight and Freescale. Main products comprise IC,Modules,Potentiometer,IC Socket,Relay,Connector.Our parts cover such applications as commercial,industrial, and automotives areas.

We are looking forward to setting up business relationship with you and hope to provide you with the best service and solution. Let us make a better world for our industry!



Contact us

Tel: +86-755-8981 8866 Fax: +86-755-8427 6832

Email & Skype: info@chipsmall.com Web: www.chipsmall.com

Address: A1208, Overseas Decoration Building, #122 Zhenhua RD., Futian, Shenzhen, China



NOTES:

1. THIS COMPONENT CONFORMS TO UL60950. UL FILE NO. IS: E216117.

	WARNING: THIS COMPONENT IS RECOGNIZED BY ONE OR MORE SAFETY AGENCIES SUCH AS UL, VDE, CSA AND/OR TUV. ALL ENGINEERING CHANGES MUST HAVE PRIOR APPROVAL BY THE DESIGN CENTER PRODUCT SAFETY DEPARTMENT FOR SAFETY AGENCY COMPLIANCE.	ECH APPROVAL: QA APPROVAL:
		DATE:

2. ROHS COMPLIANT

3. MATERIAL

- 3.1 PLASTIC HOUSING: THERMOPLASTIC, BLACK WITH FLAMMABILITY RATING UL 94V-0 OR BETTER.
 3.2 CONTACTS BASE MATERIAL: PHOSPHOR BRONZE
 3.3 UNDER PLATING: 50 μINCHES NICKEL MINIMUM.
 3.4 CONTACTS PLATING: 30 MICROINCHES GOLD PLATING.
 3.5 SOLDER TAIL PLATING : 200~500 μINCHES 100% TIN, MATTE FINISH.
 3.6 METAL SHIELD: STAINLESS STEEL. (FRONT SHIELD)
 METAL SHIELD: NICKEL PLATING ON COPPER ALLOY.(REAR SHIELD)
 3.7 SHIELD PIN: SOLDER WITH TIN

4. ELECTRICAL CHARACTERISTICS:

- 4.1 INSULATION RESISTANCE: 500 MEGAOHMS MINIMUM

5. MECHANICAL

- 5.1 DURABILITY (MATING/UNMATING): 750 CYCLES.
 5.2 CONTACT RESISTANCE: INTIAL 30 mOHMS Max, CHANGE 20 mOHMS

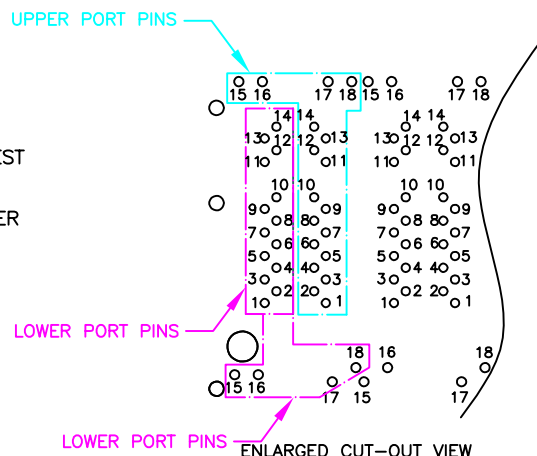
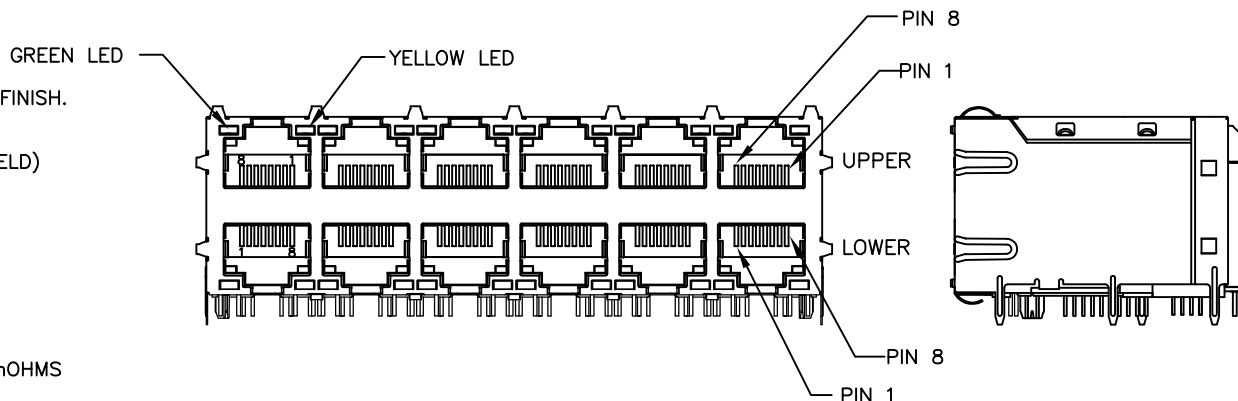
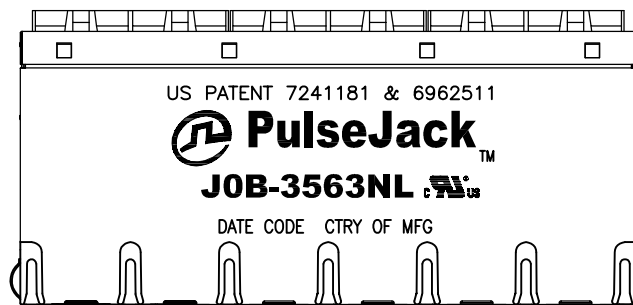
6. JACK CAVITY CONFORMS TO FCC PART 68 SUBPART F.

7. PCB PLATING: HASL (TOP PCB), ENIG (BOTTOM PCB)

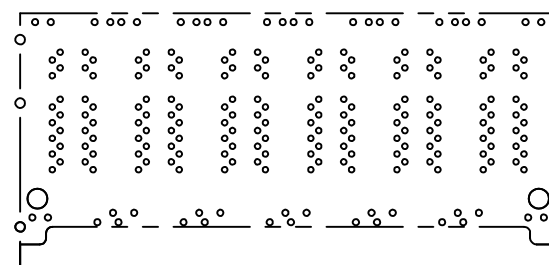
8. STORAGE TEMPERATURE: -20°C TO +125°C

9. COMPLIANCE TO J-STD:

- A. J-STD-002: SOLDERABILITY AT 245°C DIP AND LOOK TEST
 B. J-STD-020: LEVEL 1, NO MOISTURE SENSITIVE
 C. J-STD-075: W2, 270°C MAXIMUM THROUGH WAVE SOLDER

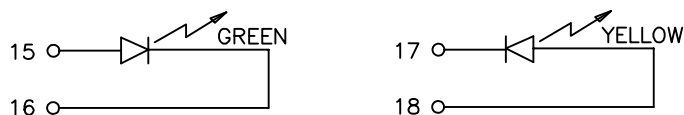
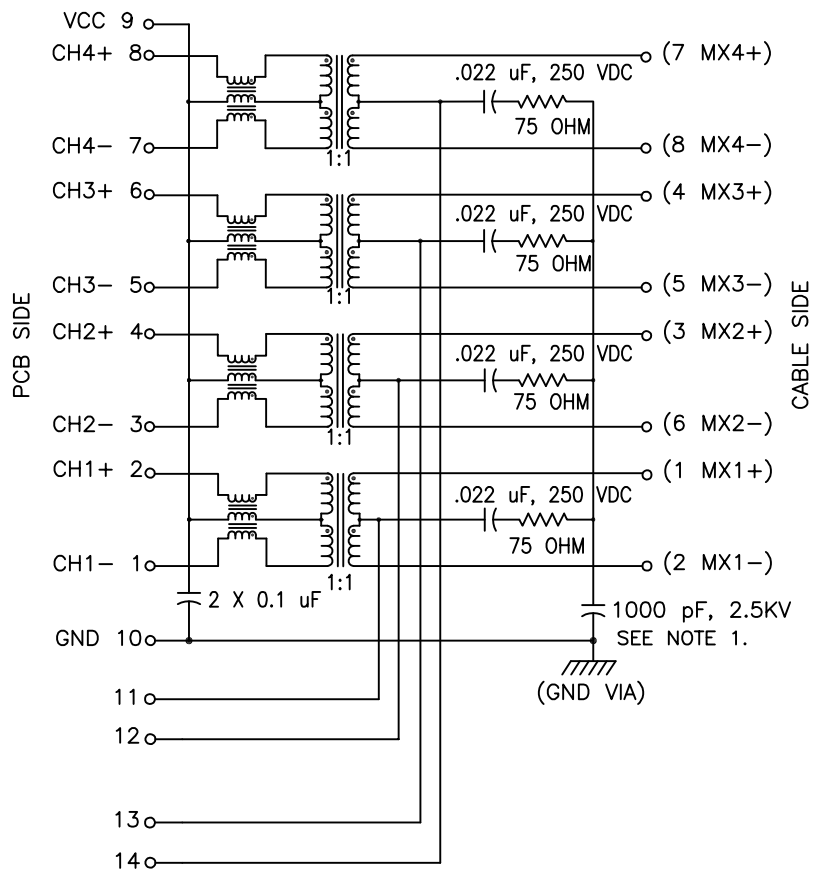


FINAL OUTLINE



© Copyright, 2017. Pulse Electronics Corp. All rights reserved. Pulse confidential & proprietary. (04/24/17)

PRODUCT DESCRIPTION	TLA DRAWING	PS DRAWING	SHEET	PART NO.	DATASHEET REV.
CONN,RJ45,2X6,1GPP,1:1,TY	JOB-3563NL-10	PS-2417.611-A	1 OF 4	JOB-3563NL	J



SCHEMATIC

NOTE 1: HIGH-VOLTAGE CAPACITOR IS COMMON FOR UPPER AND LOWER PORTS.

ELECTRICAL CHARACTERISTICS AT +25°C UNLESS OTHER SPECIFIED MEETS IEEE 802.3 SPECIFICATION

PARAMETER	SPECIFICATIONS		
OPERATING TEMP	0°C TO +70 °C		
URNS RATIO	1 : 1 ±2%		
POLARITY	PER SCHEMATIC		
INSERTION LOSS	100 KHz	1-100 MHz	125 MHz
	-1.2 dB MAX	-0.2-0.002*f ^{1.4} dB MAX	-3.0 dB MAX
RETURN LOSS (Z OUT = 100 OHM ±15%)	.1-40 MHz	40-100 MHz	
	-16 dB MIN	-10+20*LOG ₁₀ (f/80 MHz) dB MIN	
INDUCTANCE (OCL) AT 100 KHz, 100 mV (MEDIA SIDE, 0°C~70°C)	WITH 0 mA DC BIAS		WITH 20.5 mA DC BIAS
	180 uH MIN		150 uH MIN
CROSSTALK, ADJACENT CHANNELS	1 MHz	10-100 MHz	
	-50 dB MIN	-52+22*LOG ₁₀ (f/10) dB MIN	
COMMON MODE REJECTION RATIO	2 MHz	30-200 MHz	
	-50 dB MIN	-15+20*LOG ₁₀ (f/200) dB MIN	
DC RESISTANCE, 1/2 WINDING	.65 OHMS MAX		
DC RESISTANCE IMBALANCE	±.065 OHMS MAX (CENTER TAP SYMMETRY)		
DC CURRENT/VOLTAGE RATING - PSE PINS	1.37A MAX, @ 57 V (CONTINUOUS)		
INPUT - OUTPUT ISOLATION	2250 VDC MINIMUM FOR 60 SECONDS		

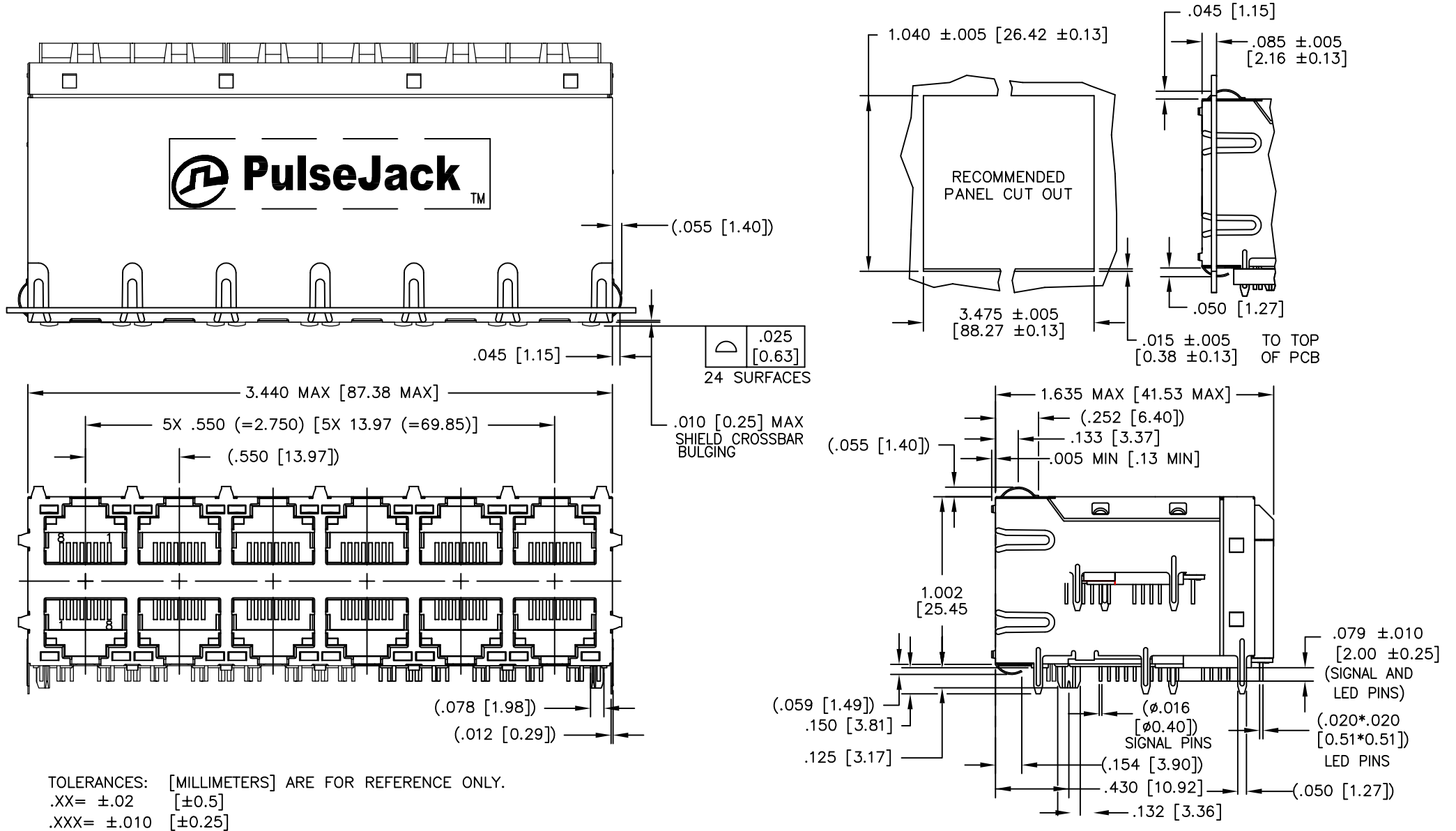
NOTE: f IS FREQUENCY IN MHz.

EMMITTED COLOR	GREEN	YELLOW
WAVELENGTH (nm)	570 nm	587 nm
BRIGHTNESS (mCD)	8 TYP. AT 20 mA	6.5 TYP. AT 20 mA
VIEWING ANGLE	100°	100°
POWER DISSIPATION (Pd)	80 mW MAX	80 mW MAX
FORWARD VOLTAGE (Vf)	2.0 TO 2.6 V (UPPER PORT)	2.1 TO 2.6 V (UPPER PORT)
	2.2 TO 2.8 V (LOWER PORT)	2.15 TO 2.8 V (LOWER PORT)
REVERSE VOLTAGE (Vr)	5.0 V MAX	5.0 V MAX

NOTE: PER VENDOR'S SPECIFICATIONS

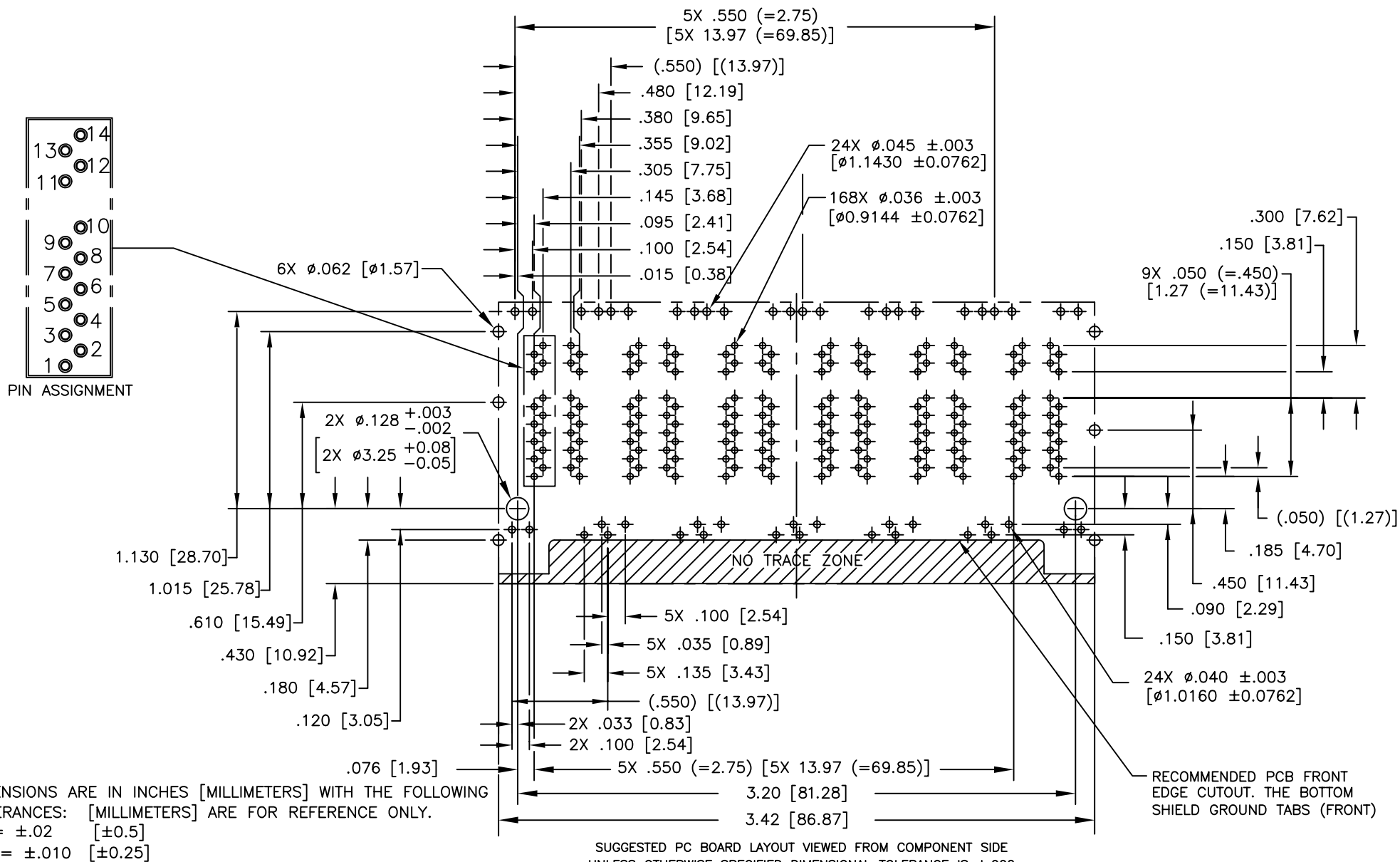
© Copyright, 2017. Pulse Electronics Corp. All rights reserved. Pulse confidential & proprietary. (04/24/17)

PRODUCT DESCRIPTION	TLA DRAWING	PS DRAWING	SHEET	PART NO.	DATASHEET REV.
CONN,RJ45,2X6,1GPP,1:1,TY	JOB-3563NL-10	PS-2417.611-A	2 OF 4	JOB-3563NL	J



© Copyright, 2017. Pulse Electronics Corp. All rights reserved. Pulse confidential & proprietary. (04/24/17)

PRODUCT DESCRIPTION	TLA DRAWING	PS DRAWING	SHEET	PART NO.	DATASHEET REV.
CONN,RJ45,2X6,1GPP,1:1,TY	JOB-3563NL-10	PS-2417.611-A	3 OF 4	JOB-3563NL	J



© Copyright, 2017. Pulse Electronics Corp. All rights reserved. Pulse confidential & proprietary. (04/24/17)

PRODUCT DESCRIPTION	TLA DRAWING	PS DRAWING	SHEET	PART NO.	DATASHEET REV.
CONN,RJ45,2X6,1GPP,1:1,TY	JOB-3563NL-10	PS-2417.611-A	4 OF 4	JOB-3563NL	J