



Chipsmall Limited consists of a professional team with an average of over 10 year of expertise in the distribution of electronic components. Based in Hongkong, we have already established firm and mutual-benefit business relationships with customers from,Europe,America and south Asia,supplying obsolete and hard-to-find components to meet their specific needs.

With the principle of “Quality Parts,Customers Priority,Honest Operation,and Considerate Service”,our business mainly focus on the distribution of electronic components. Line cards we deal with include Microchip,ALPS,ROHM,Xilinx,Pulse,ON,Everlight and Freescale. Main products comprise IC,Modules,Potentiometer,IC Socket,Relay,Connector.Our parts cover such applications as commercial,industrial, and automotives areas.

We are looking forward to setting up business relationship with you and hope to provide you with the best service and solution. Let us make a better world for our industry!



Contact us

Tel: +86-755-8981 8866 Fax: +86-755-8427 6832

Email & Skype: info@chipsmall.com Web: www.chipsmall.com

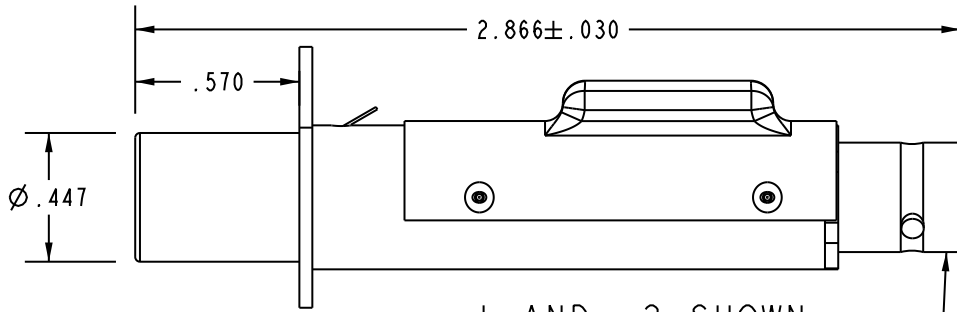
Address: A1208, Overseas Decoration Building, #122 Zhenhua RD., Futian, Shenzhen, China



MODEL NO.	ACCEPTS PIN DIA.	RECEPTACLE TYPE
J13- \triangle /2	.070 (RCA)	BNC
J13W- \triangle /2	.090 (W.E.CO.)	
J13H- \triangle /2	.070 (RCA)	TNC
J13WH- \triangle /2	.090 (W.E.CO.)	

DATA CONTAINED IN THIS DOCUMENT IS PROPRIETARY TO EMERSON CONNECTIVITY SOLUTIONS AND SHALL NOT BE DISCLOSED, COPIED OR USED FOR PROCUREMENT OR MANUFACTURE WITHOUT EXPRESS WRITTEN PERMISSION

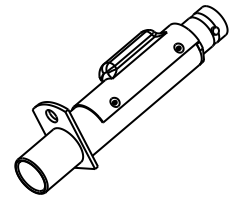
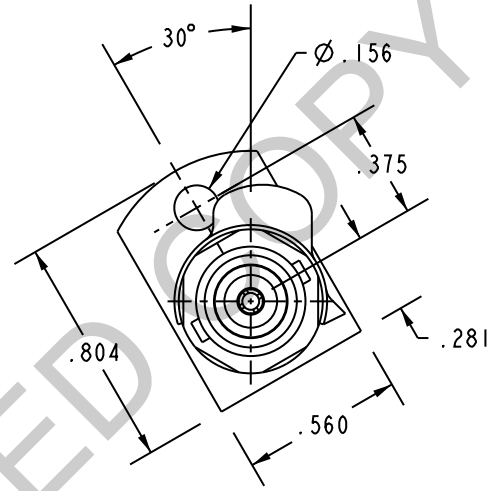
REVISIONS			
REV	DESCRIPTIONS	DATE	APPROVED
A	ECO 52227	3/24/10	C. MONAHAN



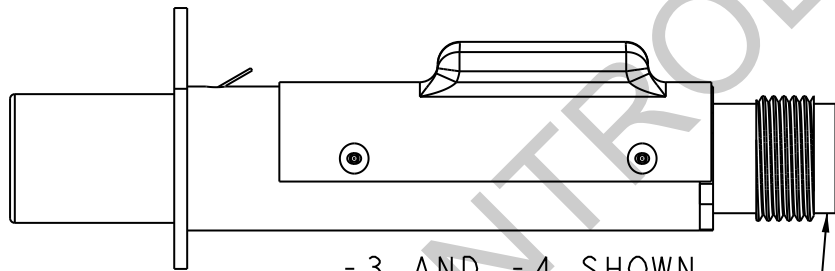
-1 AND -2 SHOWN

BNC RECEPTACLE

DIMENSIONS APPLY TO ALL DASH NUMBERS

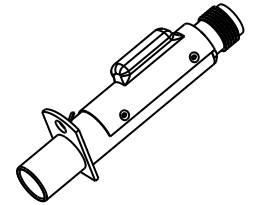
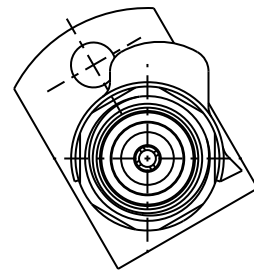


SCALE 1/2



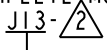
-3 AND -4 SHOWN

TNC RECEPTACLE



SCALE 1/2

4. EXAMPLE OF COMPLETE MODEL NUMBER:

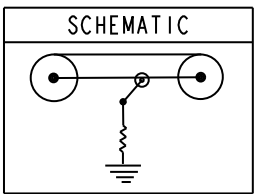


BASIC MODEL NUMBER (SEE TABLE)

3. 50 & 75 Ω SELF-TERMINATING COAXIAL PATCH JACK WITH BNC OR TNC RECEPTACLE

\triangle RESISTANCE VALUE IN Ω (1/2 W 1%)

1. TFS-1A (NICKEL)



NOTES: UNLESS OTHERWISE SPECIFIED.

N/A	DRW	C. WALLACE	5/10/10	MATERIAL:	TITLE:	SIZE	CAGE CODE	DRAWING NO.	REV.	
	CHK									
BLANK LENGTH (REF. ONLY)	QUALITY			FINISH:	J13/J13W/J13H/J13WH	\triangle	14949	1-0124	X	
N/A	MANUF									
SURFACE AREA	APPROVED			DO NOT SCALE DWG	SCALE	1/1	DATE	10/19/67	SHEET	1 OF 2
	PROF TITLE NO.	1-0124								



Cinch Connectivity Solutions
299 Johnson Ave. Ste. 100
Waseca, MN 56093
1-800-247-8256