



Chipsmall Limited consists of a professional team with an average of over 10 year of expertise in the distribution of electronic components. Based in Hongkong, we have already established firm and mutual-benefit business relationships with customers from,Europe,America and south Asia,supplying obsolete and hard-to-find components to meet their specific needs.

With the principle of “Quality Parts,Customers Priority,Honest Operation,and Considerate Service”,our business mainly focus on the distribution of electronic components. Line cards we deal with include Microchip,ALPS,ROHM,Xilinx,Pulse,ON,Everlight and Freescale. Main products comprise IC,Modules,Potentiometer,IC Socket,Relay,Connector.Our parts cover such applications as commercial,industrial, and automotives areas.

We are looking forward to setting up business relationship with you and hope to provide you with the best service and solution. Let us make a better world for our industry!



Contact us

Tel: +86-755-8981 8866 Fax: +86-755-8427 6832

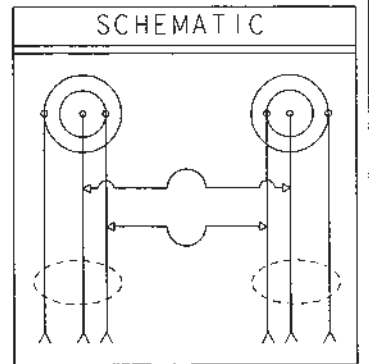
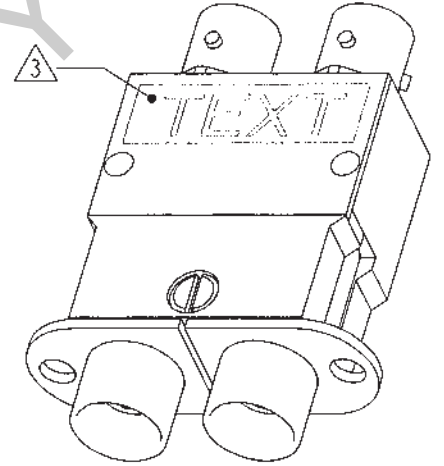
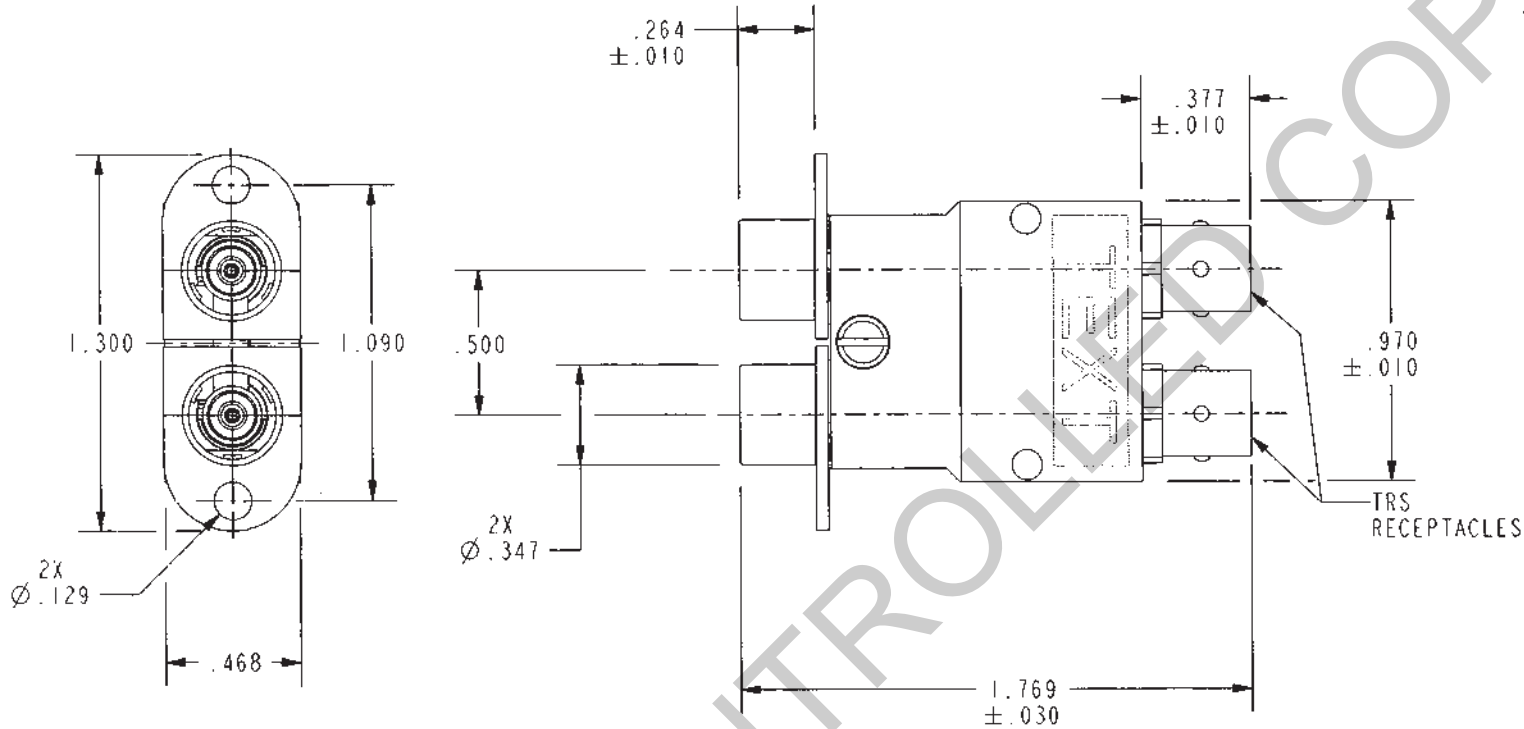
Email & Skype: info@chipsmall.com Web: www.chipsmall.com

Address: A1208, Overseas Decoration Building, #122 Zhenhua RD., Futian, Shenzhen, China



DATA CONTAINED IN THIS DOCUMENT IS PROPRIETARY TO TROMPETER ELECTRONICS INC. AND SHALL NOT BE DISCLOSED, COPIED OR USED FOR PROCUREMENT OR MANUFACTURE WITHOUT EXPRESS WRITTEN PERMISSION.

REVISIONS			
REV	DESCRIPTIONS	DATE	APPROVED
F	REVISED PER ECO 16367	6-2-08	UNIK



RED INDICATES ORIGINAL

3 COVER TO BE INK MARKED AS FOLLOWS:
TEI 14949
J158 DATE CODE
PAT. NO. 5702262

2. DUAL TWINAX/TRIAX SELF-NORMALIZING PATCH JACK WITH TRS RECEPTACLES

1. FINISH: TFS-1A, NICKEL

NOTES: UNLESS OTHERWISE SPECIFIED.

INTERPRET DRAWING PER MIL-STD-100. DIMENSIONS ARE IN INCHES AND INCLUDE FINISH THICKNESS UNLESS OTHERWISE SPECIFIED.



DRN M JOHNSON	12-12-07	MATERIAL:	TITLE:
CHK [Signature]	2-21-08	FINISH:	J158
MANUF		SIZE	CAGE CODE
APPROVED [Signature]	3/4/08	A	14949
PROJ FILE NO.	3-0297	DRAWING NO.	3-0297

DO NOT SCALE DWG	SCALE	1.5/1	DATE	11-09-95	SHEET	IC
------------------	-------	-------	------	----------	-------	----