



Chipsmall Limited consists of a professional team with an average of over 10 year of expertise in the distribution of electronic components. Based in Hongkong, we have already established firm and mutual-benefit business relationships with customers from,Europe,America and south Asia,supplying obsolete and hard-to-find components to meet their specific needs.

With the principle of “Quality Parts,Customers Priority,Honest Operation,and Considerate Service”,our business mainly focus on the distribution of electronic components. Line cards we deal with include Microchip,ALPS,ROHM,Xilinx,Pulse,ON,Everlight and Freescale. Main products comprise IC,Modules,Potentiometer,IC Socket,Relay,Connector.Our parts cover such applications as commercial,industrial, and automotives areas.

We are looking forward to setting up business relationship with you and hope to provide you with the best service and solution. Let us make a better world for our industry!



Contact us

Tel: +86-755-8981 8866 Fax: +86-755-8427 6832

Email & Skype: info@chipsmall.com Web: www.chipsmall.com

Address: A1208, Overseas Decoration Building, #122 Zhenhua RD., Futian, Shenzhen, China





Features:

- ◇ Display hold function standard
- ◇ 3½ digits with 0.56" Red or Green LED
- ◇ Window mount with optional bezel
- ◇ User selectable decimal points
- ◇ Optional NEMA case (see DK610 for details)

Specifications:

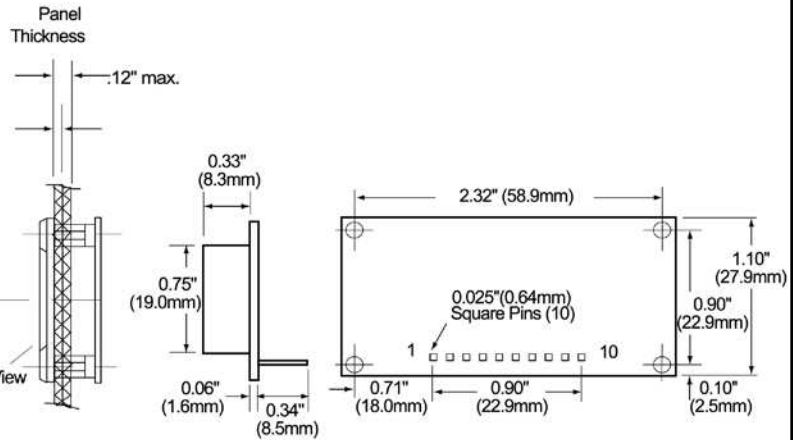
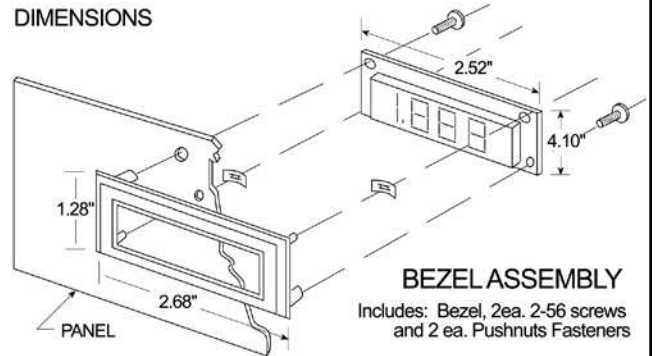
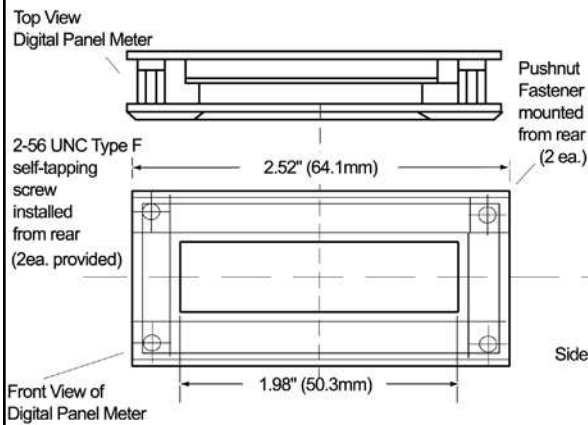
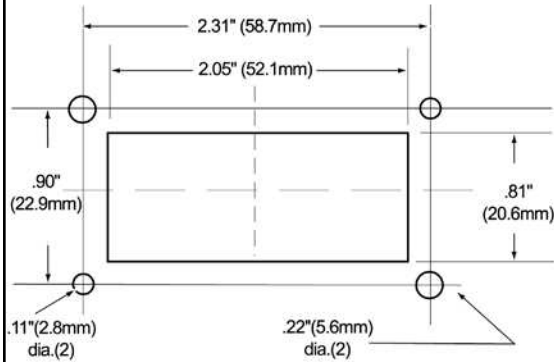
Display:	Digits:	3 ½ (±1999 count)
	Type:	7- segment LED (red or green)
	Digit Height:	.56 in (14.2 mm)
	Polarity Indication:	automatic "-" for neg input
	Decimal Point:	3 position selectable
	Overrange:	three lower order digits blank for inputs >1999 & < -1999
	Signal Inputs:	Configuration:
Full-Scale Input:		±200 mV, ±2 V, ±20 V
Input Offset Adjustment:		auto zero
Input Impedance:		>100 MΩ (±200 mV), -1 MΩ (other ranges)
Common Mode Range:		±1 VDC
Common Mode Rejection:		>86 dB
Protection:		±350 VDC (±100 VDC for 200 mV range)
Input Bias Current:		1 pA typical, 100 pA max
Control Inputs:		decimal point select, hold, span adjust trimpot
Performance:		Sampling Rate:
	Accuracy:	± (0.1% + 2 counts) typ ±(0.2% + 2 counts) max
	Warmup, typical:	10 min
	Temperature Drift, typical:	100 ppm / °C
Power Supply:	Supply Voltage:	+5 VDC ±5%
	Supply Current, typical:	200 mA
Environmental:	Operating Temperature:	0 to 50°C
	Storage Temperature:	-10 to 60°C
	Relative Humidity:	0 to 95% non-condensing
Physical:	Package Style:	window mount
	Dimensions:	2.52 x 1.10 x .73
	Panel Cutout:	2.05 x .81
	Weight:	0.7 oz (20 g)
	Connector:	J1C-10 or C10-5 optional
	Connection:	10 pin
Bezel:	optional	

Ordering Information:

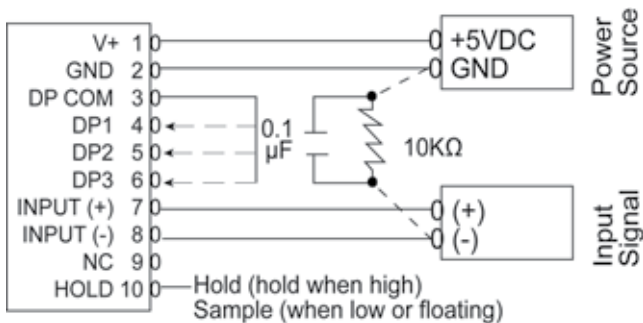
PART NUMBER	METER COLOR	METER POWER
DK601.....	GREEN	200mV DC
DK602.....	GREEN	2V DC
DK603.....	GREEN	20V DC
DK604.....	RED	200mV DC
DK605.....	RED	2VDC
DK606.....	RED	20VDC
DK610.....	NEMA Case

LED-B.....	Optional Bezel Mounting Kit
C10-5.....	5" - 10 Pin Connector / Wire Assembly
J1C10.....	12" - 10 Pin Connector / Wire Assembly
PW2-5.....	Regulated 120V AC to 5V DC Power Supply
PW1.0.....	24V AC to adjustable DC output
CPW1.5.....	24V AC to adjustable DC output
CVC.....	Calibrator

Dimensions



Wiring



Pin No.	Pin Name	Description
1	V+	+5V power supply
2	GND	Power supply ground
3	DP COM	Decimal point return
4	DP1	1XX.X (connect to DP COM to turn on)
5	DP2	1X.XX (connect to DP COM to turn on)
6	DP3	1.XXX (connect to DP COM to turn on)
7	INPUT(+)	Positive input signal
8	INPUT(-)	Negative input signal
9	NC	No connection required
10	HOLD	Hold last display