



Chipsmall Limited consists of a professional team with an average of over 10 year of expertise in the distribution of electronic components. Based in Hongkong, we have already established firm and mutual-benefit business relationships with customers from,Europe,America and south Asia,supplying obsolete and hard-to-find components to meet their specific needs.

With the principle of "Quality Parts,Customers Priority,Honest Operation,and Considerate Service",our business mainly focus on the distribution of electronic components. Line cards we deal with include Microchip,ALPS,ROHM,Xilinx,Pulse,ON,Everlight and Freescale. Main products comprise IC,Modules,Potentiometer,IC Socket,Relay,Connector.Our parts cover such applications as commercial,industrial, and automotives areas.

We are looking forward to setting up business relationship with you and hope to provide you with the best service and solution. Let us make a better world for our industry!



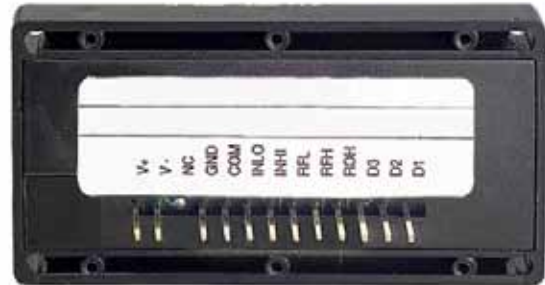
Contact us

Tel: +86-755-8981 8866 Fax: +86-755-8427 6832

Email & Skype: info@chipsmall.com Web: www.chipsmall.com

Address: A1208, Overseas Decoration Building, #122 Zhenhua RD., Futian, Shenzhen, China





Features:

- ◇ Low-cost
- ◇ Ultra compact flat design
- ◇ Less than .25" deep
- ◇ 3½ digits with high-contrast LCD

Specifications:

Display:	Digits:	3 ½ digits (±1999 counts)
	Type:	0.5" (13mm) 7 segment reflective LCD
	Digit Height:	.50" (12.7mm)
	Polarity Indication:	automatic, "-" displayed
	Annunciators:	"LoBat" when power <7.2 VDC
	Decimal Points:	3 position, user selectable
	Overrange:	three lower order digits blank for inputs >1999 & < -1999
Inputs:	Ranges:	±200.0mV, ±2.000V, ±20.00V DC
	Configuration:	true differential input and reference
	Protection:	250 VDC or 150 V RMS continuous, 300 V intermittent max
	Impedance:	>100 MΩ on ± 200mV ; (>1 MΩ on 2V & 20V range)
	Bias Current:	1 pA typical, 10 pA max
Performance:	Accuracy:	±(0.1% fs + 2 count) with +5 and ± 5 V power ±(0.1% rgd + 1 count) with 9 V power
	Conversion Rate:	2.5 per second
	Normal Mode Rejection:	>30 dB @ 60 Hz
	Common Mode Range:	±1 VDC max
	Common Mode Rej.:	>86 dB
	Zero Adjustment:	automatic
	Warmup:	10 min typical
	Temperature Coefficient:	±100 ppm per °C typical
Environment:	Operating Range:	0 to 50 °C
	Storage Range:	-10 to 60 °C
	Relative Humidity:	0 to 95% non-condensing
Power Supply:	9V powered:	9 V isolated, 7.2-12 V at 150 µA
	+5V DC:	5 V ±5% at 3 mA
Mounting:		panel hole mounting, standard bezel mount (optional)
	Dimensions:	2.37 x 1.50 x .32
	Panel Cutout:	1.89 x .66
	Weight:	0.9 oz (25 g)
Connection:		13 pins, 0.025" square - pin 3 missing
		15 solder pads

Ordering Information:

15 pads

PART NUMBER	METER INPUT	METER POWER
DK171	200mV	9V
DK172	2V	9V
DK173	20V	9V

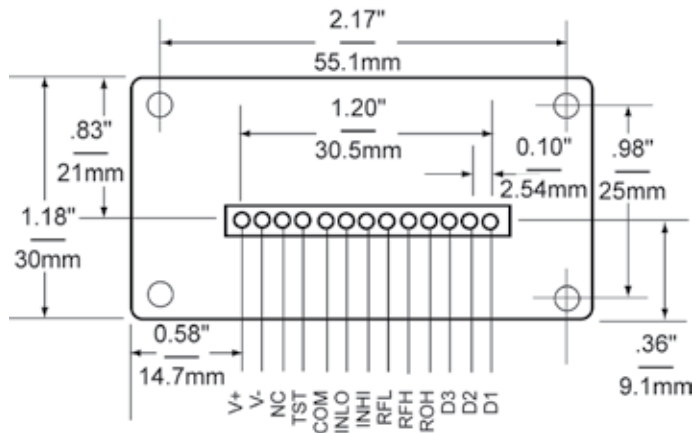
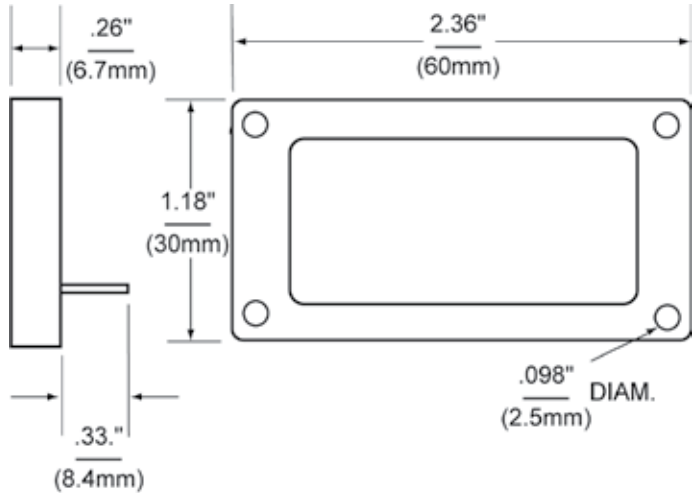
13-pins

PART NUMBER	METER INPUT	METER POWER
DK174	200mV	9V
DK175	2V	9V
DK176	20V	9V
DK177	200mV	+5VDC
DK178	2V	+5VDC
DK179	20V	+5VDC

B-1B	Bezel Mounting Kit
J1C13	13 Pin Connector / Wire Assembly
PW2-5	Regulated 120V AC to 5V DC Power Supply
PW2-12	Regulated 120V AC to 12V DC Power Supply
PW1.0	24V AC to adjustable DC output
CPW1.5	24V AC to adjustable DC output
CVC	Calibrator

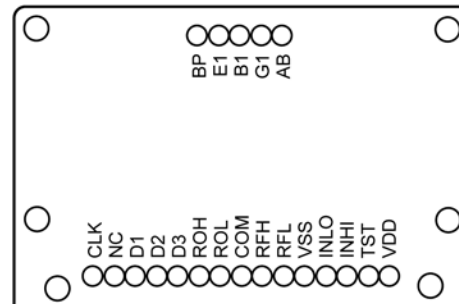
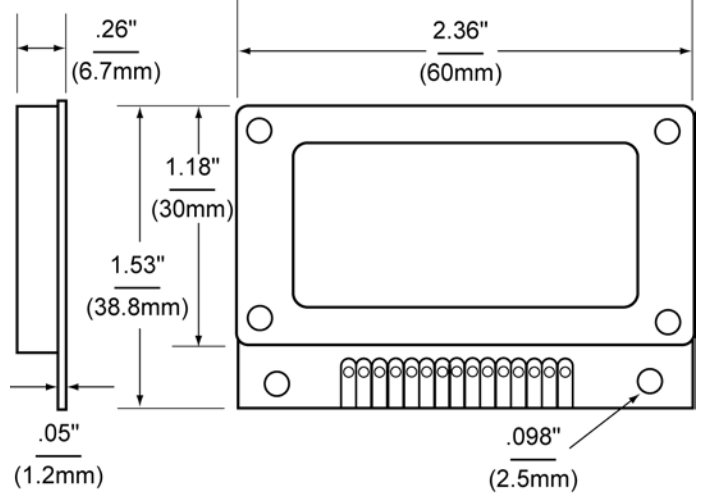
Dimensions

13 PINS



NOTE: DO NOT SOLDER TO PINS

15 PADS



NOTE:
DIM. = inches
(2.5mm)

BEZEL MOUNTING

