



Chipsmall Limited consists of a professional team with an average of over 10 year of expertise in the distribution of electronic components. Based in Hongkong, we have already established firm and mutual-benefit business relationships with customers from,Europe,America and south Asia,supplying obsolete and hard-to-find components to meet their specific needs.

With the principle of “Quality Parts,Customers Priority,Honest Operation,and Considerate Service”,our business mainly focus on the distribution of electronic components. Line cards we deal with include Microchip,ALPS,ROHM,Xilinx,Pulse,ON,Everlight and Freescale. Main products comprise IC,Modules,Potentiometer,IC Socket,Relay,Connector.Our parts cover such applications as commercial,industrial, and automotives areas.

We are looking forward to setting up business relationship with you and hope to provide you with the best service and solution. Let us make a better world for our industry!



Contact us

Tel: +86-755-8981 8866 Fax: +86-755-8427 6832

Email & Skype: info@chipsmall.com Web: www.chipsmall.com

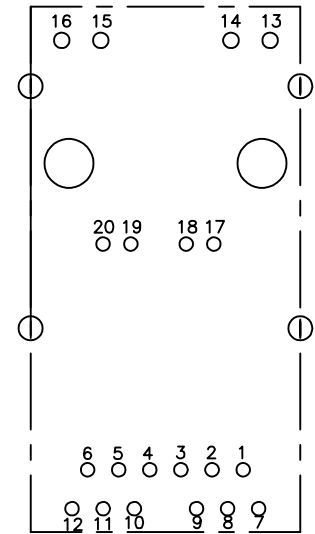
Address: A1208, Overseas Decoration Building, #122 Zhenhua RD., Futian, Shenzhen, China



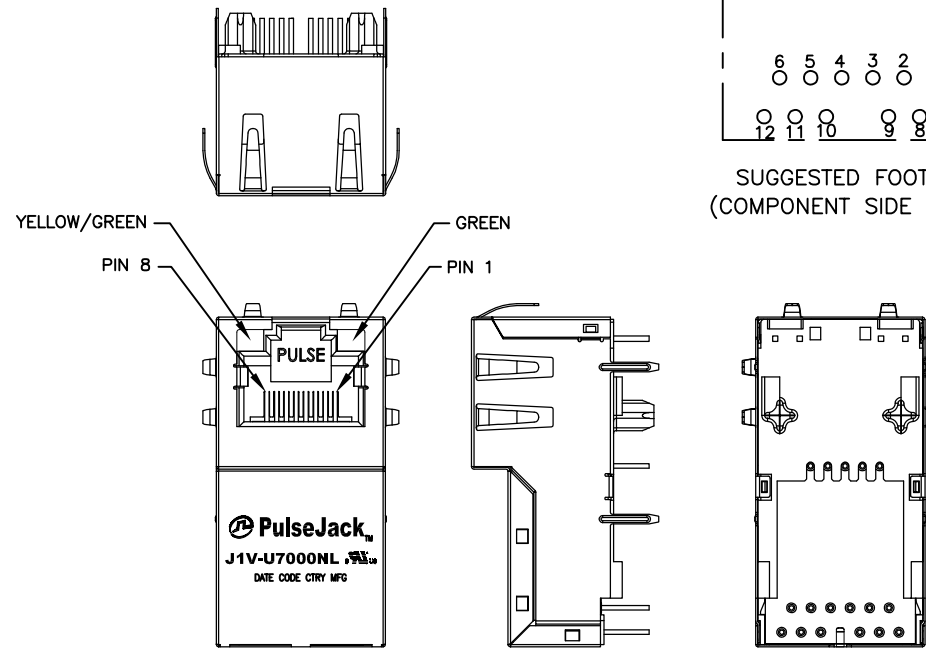


NOTES:

1. ROHS COMPLIANT
2. PLASTIC HOUSING: THERMOPLASTIC MATERIAL WITH FLAMMABILITY RATING UL 94V-0 OR BETTER.
3. CONTACTS PLATING: 30 MICRO-INCH GOLD PLATING.
4. CONTACTS BASE MATERIAL: PHOSPHOR BRONZE
5. UNDER PLATING: 50u INCHES MIN NICKEL
6. SOLDER TAIL PLATING : 200-500 uINCHES 100% TIN, MATTE FINISH.
7. METAL SHIELD: NICKEL PLATING ON COPPER ALLOY.
8. JACK CAVITY CONFORMS TO FCC PART 68 SUBPART.
9. PCB PLATING: HASL
10. STORAGE TEMPERATURE: -20°C TO +125°C
11. COMPLIANCE TO J-STD:
 - A. J-STD-002: SOLDERABILITY AT 245°C DIP AND LOOK TEST
 - B. J-STD-020: LEVEL 1, NO MOISTURE SENSITIVE
 - C. J-STD-075: W2, 270°C MAXIMUM THROUGH WAVE SOLDER
 - D. J-STD-075: R4, 260°C MAXIMUM REFLOW SOLDER



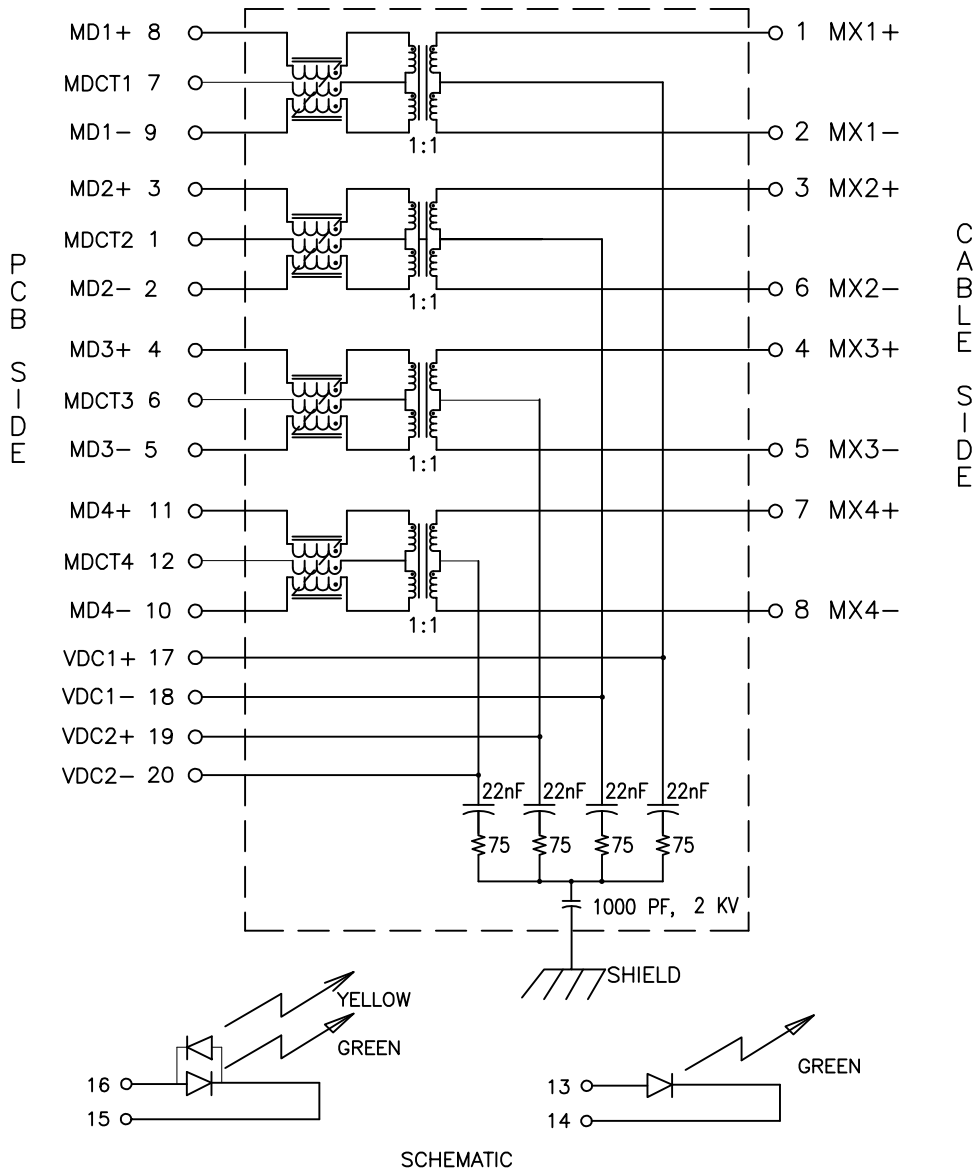
SUGGESTED FOOTPRINT
(COMPONENT SIDE SHOWN)



FINAL OUTLINE

© Copyright, 2018. Pulse Electronics Corp. All rights reserved. Pulse confidential & proprietary. (04/25/18)

| PRODUCT DESCRIPTION | TLA DRAWING | PS DRAWING | SHEET | PART NO. | DATASHEET REV. |
|----------------------------|----------------|---------------|--------|-------------|----------------|
| CONN,RJ45,1X1,10GPP,1:1,TY | J1V-U7000NL-12 | PS-2880.002-B | 1 OF 5 | J1V-U7000NL | B |



ELECTRICAL CHARACTERISTICS AT +25°C UNLESS OTHER SPECIFIED

| PARAMETER | SPECIFICATIONS | | |
|--|------------------------------|---------------------------------------|-------------|
| OPERATING TEMP | 0°C TO +70°C | | |
| TURNS RATIO | 1.00 ± 2% | | |
| POLARITY | PER SCHEMATIC | | |
| INSERTION LOSS | 100 KHz | 1-400 MHz | |
| | -3.0 dB MAX | -2.0 dB MAX (-1.4 dB TYP) | |
| RETURN LOSS (Z OUT = 100 OHM ± 1%) | 1-100 MHz | 100 MHz-500 MHz | |
| | -22 dB MIN | -22 + 20.75*LOG ₁₀ (f/100) | |
| INDUCTANCE (OCL) | 150 uH MIN @ 100 kHz, 100 mV | | |
| CROSSTALK, ADJACENT CHANNELS | 1-100 MHz | 100-500 MHz | |
| | -28 dB MIN | -19 dB MIN | |
| COMMON MODE REJECTION RATIO | 1-40 MHz | 40-100 MHz | 100-500 MHz |
| | -30 dB MIN | -28 dB MIN | -26 dB MIN |
| | | | |
| COMMON TO DIFFERENTIAL MODE REJECTION (CDMR) | 1-250 MHz | 250-500 MHz | |
| | -30 dB MIN | -22 dB MIN | |
| CURRENT CARRYING CAPABILITY, RJ45 PINS 1-8 | 600 mA MAX | | |
| INPUT - OUTPUT ISOLATION | 2250 VDC MIN @ 60 SECONDS | | |

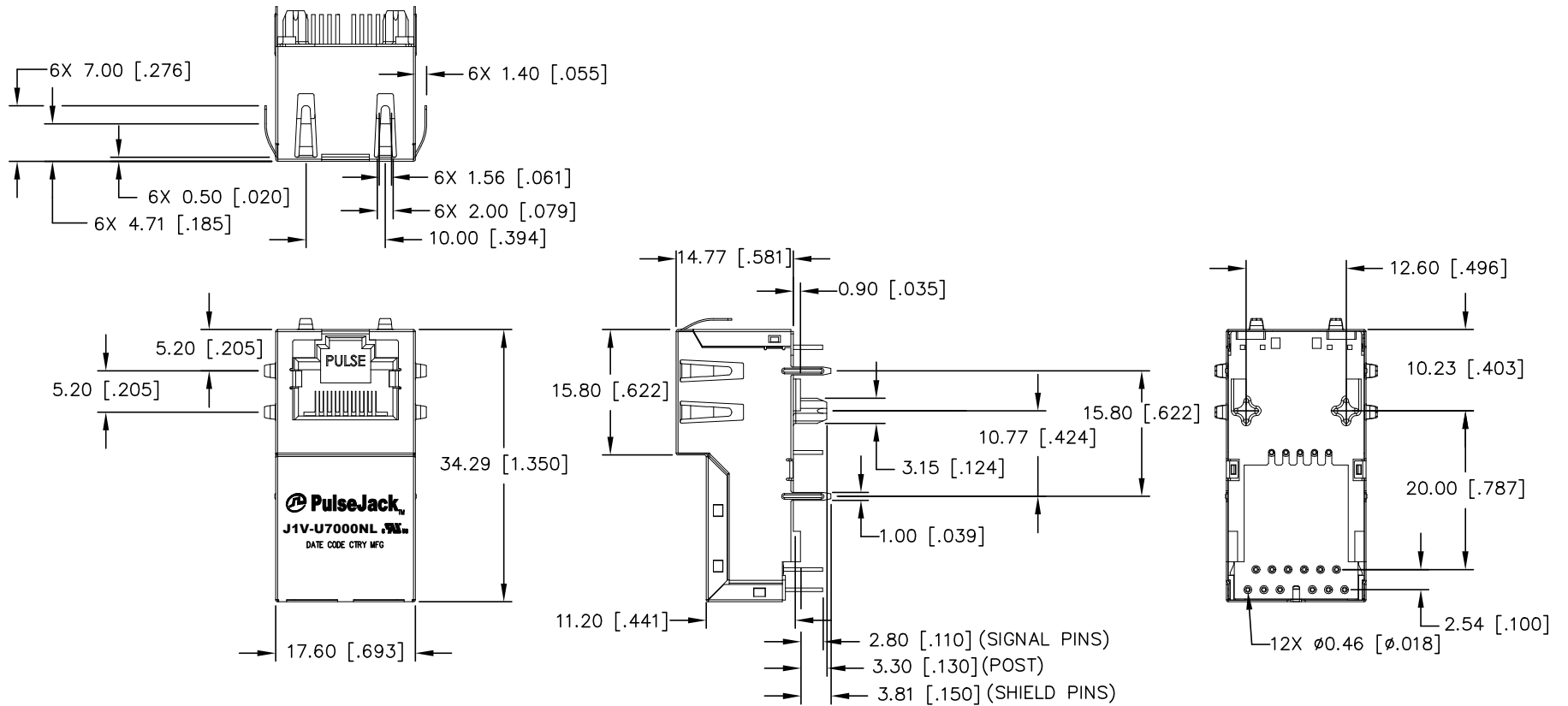
NOTE: f IS FREQUENCY IN MHZ.

| EMMITTED COLOR | GREEN | YELLOW |
|------------------------|--------------------|--------------------|
| WAVELENGTH (nm) | 568 nM | 585 nM |
| BRIGHTNESS (mCD) | 8.5 TYP. @ 20mA | 6.0 TYP. @ 20mA |
| VIEWING ANGLE | 85°-100° | 85°-100° |
| POWER DISSIPATION (Pd) | 100 mW MAX | 100 mW MAX |
| DC FORWARD CURRENT | 150 mA MAX | 150 mA MAX |
| FORWARD VOLTAGE (Vf) | 2.2 TO 2.6 VOLTS | 2.1 TO 2.6 VOLTS |
| REVERSE VOLTAGE (Vr) | 5.0 V MAX | 5.0 V MAX |

NOTE: PER VENDOR'S SPECIFICATIONS

© Copyright, 2018. Pulse Electronics Corp. All rights reserved. Pulse confidential & proprietary. (04/25/18)

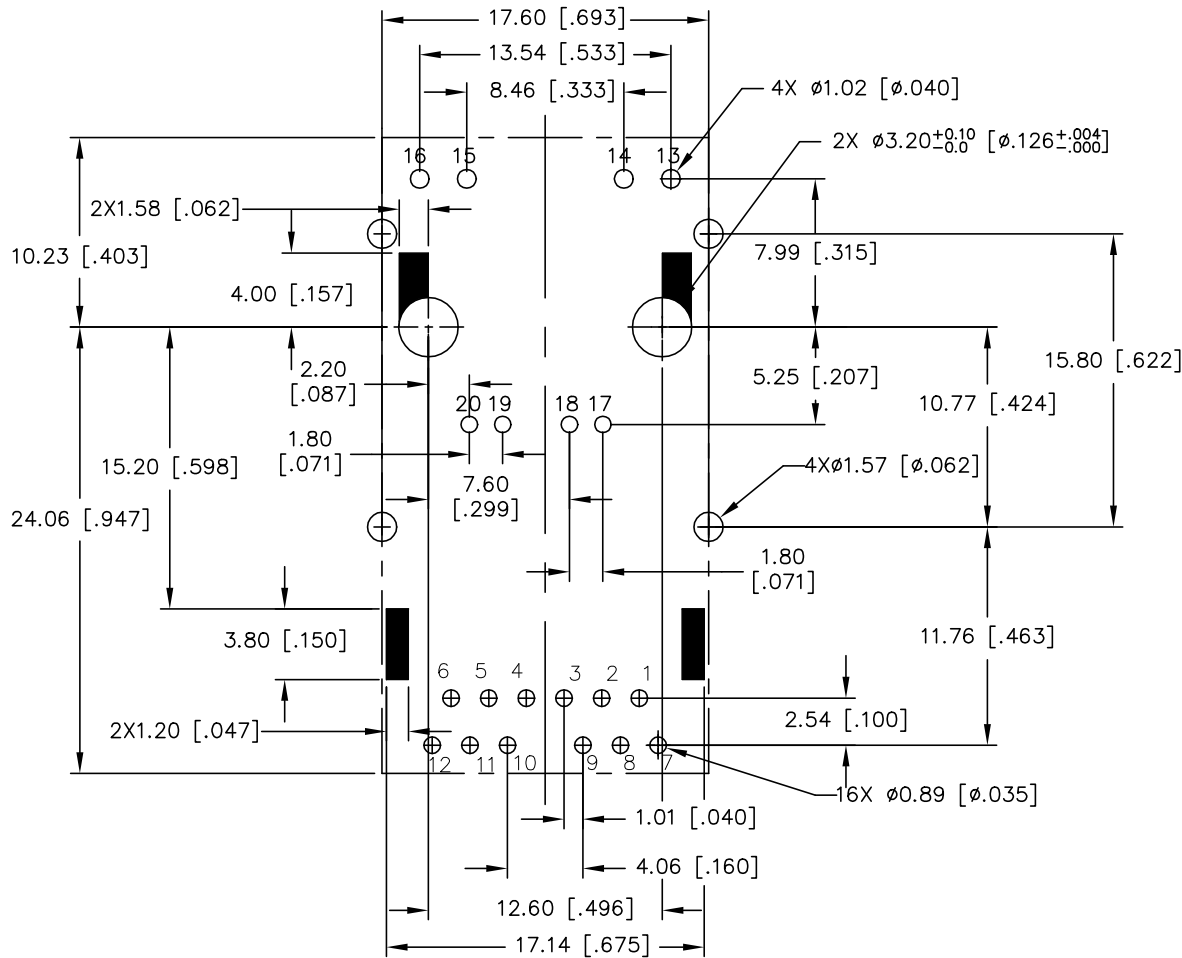
| PRODUCT DESCRIPTION | TLA DRAWING | PS DRAWING | SHEET | PART NO. | DATASHEET REV. |
|----------------------------|----------------|---------------|--------|-------------|----------------|
| CONN,RJ45,1X1,10GPP,1:1,TY | J1V-U7000NL-12 | PS-2880.002-B | 2 OF 5 | J1V-U7000NL | B |



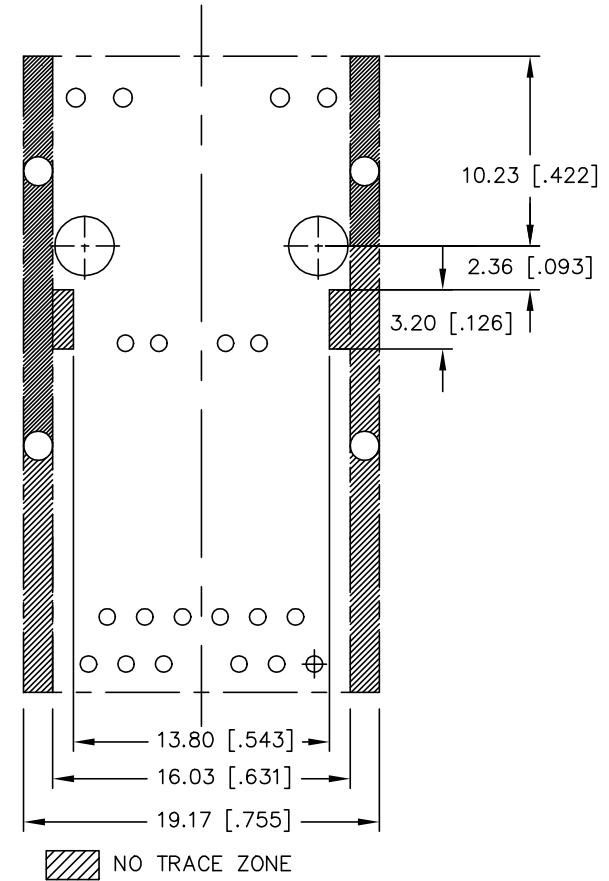
DIMENSIONS ARE IN MILLIMETERS [INCHES] WITH THE FOLLOWING
 TOLERANCES: [INCHES] ARE FOR REFERENCE ONLY.
 X.XX [.XXX] = ± 0.25 [± 0.010]

© Copyright, 2018. Pulse Electronics Corp. All rights reserved. Pulse confidential & proprietary. (04/25/18)

| PRODUCT DESCRIPTION | TLA DRAWING | PS DRAWING | SHEET | PART NO. | DATASHEET REV. |
|----------------------------|----------------|---------------|--------|-------------|----------------|
| CONN,RJ45,1X1,10GPP,1:1,TY | J1V-U7000NL-12 | PS-2880.002-B | 3 OF 5 | J1V-U7000NL | B |



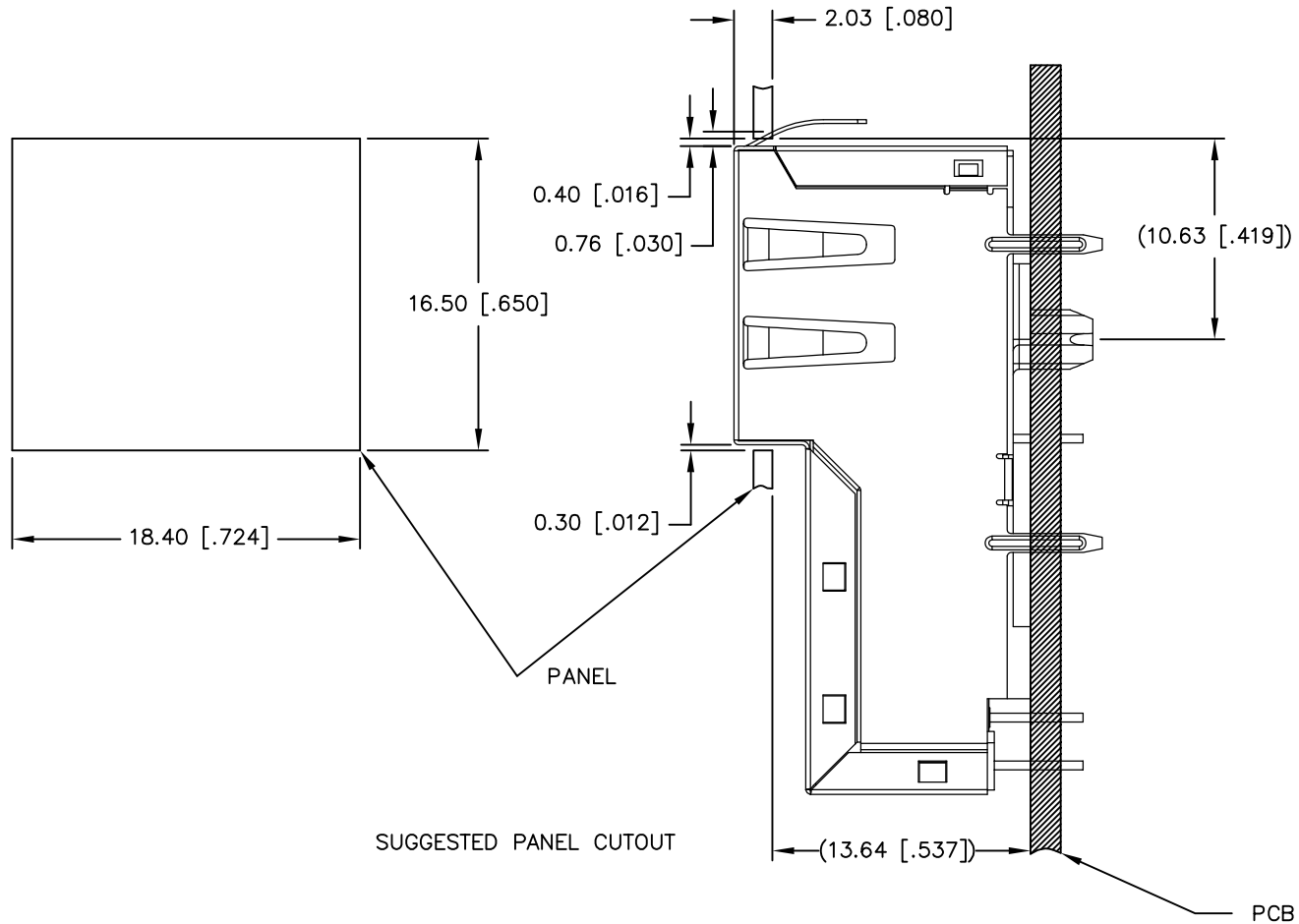
SUGGESTED FOOTPRINT (COMPONENT SIDE SHOWN)



DIMENSIONS ARE IN MILLIMETERS [INCHES] WITH THE FOLLOWING TOLERANCES: [INCHES] ARE FOR REFERENCE ONLY.
X.XX [.XXX] = ±0.05 [±.002]

© Copyright, 2018. Pulse Electronics Corp. All rights reserved. Pulse confidential & proprietary. (04/25/18)

| PRODUCT DESCRIPTION | TLA DRAWING | PS DRAWING | SHEET | PART NO. | DATASHEET REV. |
|----------------------------|----------------|---------------|--------|-------------|----------------|
| CONN,RJ45,1X1,10GPP,1:1,TY | J1V-U7000NL-12 | PS-2880.002-B | 4 OF 5 | J1V-U7000NL | B |



ALL DIMENSION ARE SHOWN IN MILLIMETERS.
DIMENSIONS SHOWN IN BRACKETS ARE
INCHES. UNLESS OTHERWISE SPECIFIED,
THE FOLLOWING TOLERANCES APPLY:

X.XX [.XXX] = ± 0.10 [± 0.004]

© Copyright, 2018. Pulse Electronics Corp. All rights reserved. Pulse confidential & proprietary. (04/25/18)

| PRODUCT DESCRIPTION | TLA DRAWING | PS DRAWING | SHEET | PART NO. | DATASHEET REV. |
|----------------------------|----------------|---------------|--------|-------------|----------------|
| CONN,RJ45,1X1,10GPP,1:1,TY | J1V-U7000NL-12 | PS-2880.002-B | 5 OF 5 | J1V-U7000NL | B |