



Chipsmall Limited consists of a professional team with an average of over 10 year of expertise in the distribution of electronic components. Based in Hongkong, we have already established firm and mutual-benefit business relationships with customers from,Europe,America and south Asia,supplying obsolete and hard-to-find components to meet their specific needs.

With the principle of “Quality Parts,Customers Priority,Honest Operation,and Considerate Service”,our business mainly focus on the distribution of electronic components. Line cards we deal with include Microchip,ALPS,ROHM,Xilinx,Pulse,ON,Everlight and Freescale. Main products comprise IC,Modules,Potentiometer,IC Socket,Relay,Connector.Our parts cover such applications as commercial,industrial, and automotives areas.

We are looking forward to setting up business relationship with you and hope to provide you with the best service and solution. Let us make a better world for our industry!



Contact us

Tel: +86-755-8981 8866 Fax: +86-755-8427 6832

Email & Skype: info@chipsmall.com Web: www.chipsmall.com

Address: A1208, Overseas Decoration Building, #122 Zhenhua RD., Futian, Shenzhen, China



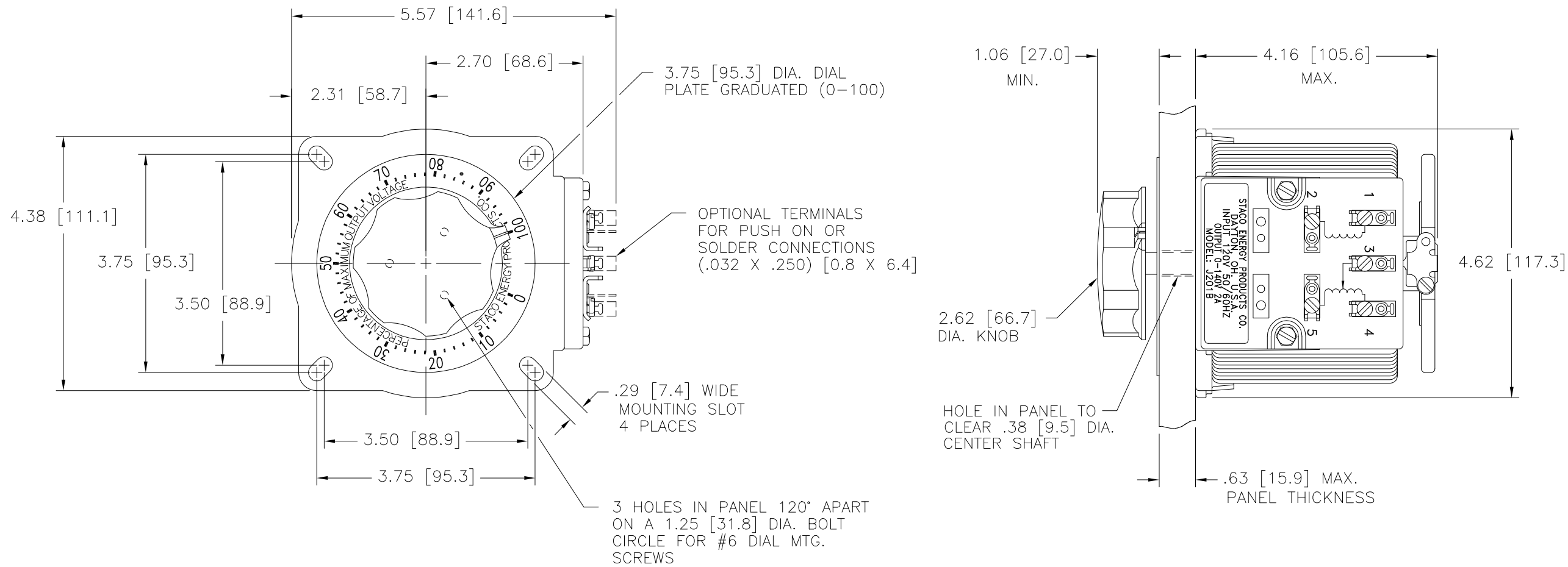


FIGURE 2
VIEW FROM BASE END
CCW ROTATION

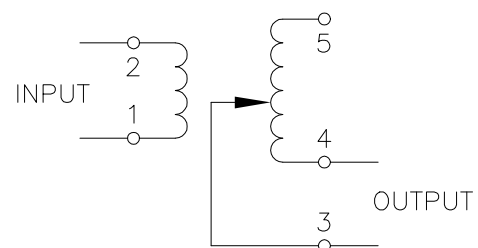


FIGURE 3
VIEW FROM BASE END
CCW ROTATION

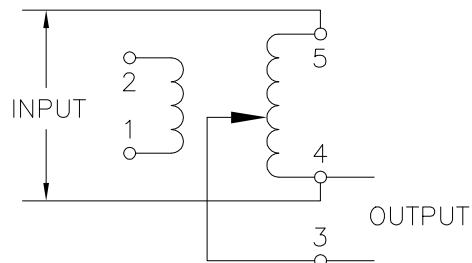


FIGURE 4
VIEW FROM BASE END
CCW ROTATION
RATED 2 AMP @ 260V
INCREASING TO 4.5 AMP @ 120V

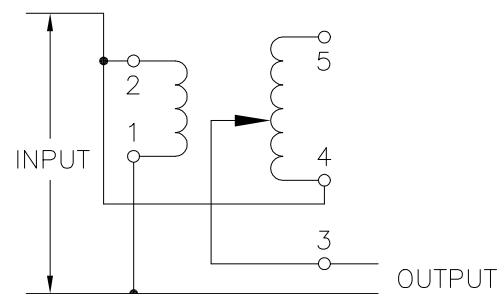


FIGURE 5
VIEW FROM BASE END
CCW ROTATION

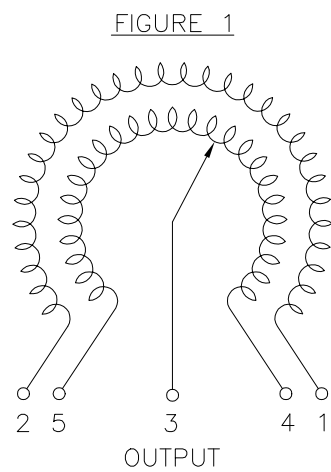
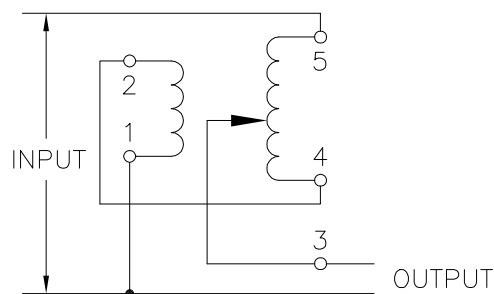


FIGURE 1
SCHEMATIC
VIEW FROM BASE END
FUSE RECOMMENDED BUT NOT SUPPLIED

SPECIFICATIONS										
SCHEMATIC	WIRING	INPUT		OUTPUT		SHAFT ROTATION TO INCREASE VOLTAGE	TERMINAL CONNECTIONS			
		VOLTS	HERTZ	VOLTS	CONSTANT CURRENT LOAD		FOR INCREASING VOLTAGE AS VIEWED FROM BASE END			
					MAX. AMPS	MAX. KVA		INPUT	JUMPER	OUTPUT
FIGURE 2	ISOLATED	120	50/60	0-140	2	0.28	CW	1-2	---	5-3
FIGURE 3	NON-ISOLATED			0-120	5	0.60	CCW	1-2	---	4-3
FIGURE 4	VOLTAGE DOUBLER	240	50/60	120-260	4.5	0.52	CW	1-2	1-5	2-3
FIGURE 5	SERIES			110-240	4.5	1.08	CCW	1-2	2-4	1-3
							CW	1-5	1-5	2-3
							CCW	1-5	2-4	1-3

UNLESS OTHERWISE SPECIFIED, TOLERANCE IS ±

DECIMALS	HOLES	ANGLES	DRAFT	UNITS
.XX	.0005-.002	1°	1-1/2°	IN [mm]

MATERIAL: ALL DIMENSIONS APPLY AFTER PLATING

TITLE: SPEC. CONTROL DRAWING
VARIABLE TRANSFORMER
MODEL: J201B

STACO ENERGY PRODUCTS CO.
A Components Corporation of America Company
302 Gadsden Boulevard Dayton, Ohio 45403 USA

DRAWN BY	DATE	FIRST USED ON	DO NOT SCALE DWG.
S.A. SMITH	9/26/97		
CHECKER	DATE	WEIGHT APPROX.	CAGE CODE
		8.5 LBS	83008
ENGINEER	DATE	SCALE	SHEET 1 OF 1
		1=1	

DWG. NO. 031-8843