



Chipsmall Limited consists of a professional team with an average of over 10 year of expertise in the distribution of electronic components. Based in Hongkong, we have already established firm and mutual-benefit business relationships with customers from,Europe,America and south Asia,supplying obsolete and hard-to-find components to meet their specific needs.

With the principle of "Quality Parts,Customers Priority,Honest Operation,and Considerate Service",our business mainly focus on the distribution of electronic components. Line cards we deal with include Microchip,ALPS,ROHM,Xilinx,Pulse,ON,Everlight and Freescale. Main products comprise IC,Modules,Potentiometer,IC Socket,Relay,Connector.Our parts cover such applications as commercial,industrial, and automotives areas.

We are looking forward to setting up business relationship with you and hope to provide you with the best service and solution. Let us make a better world for our industry!



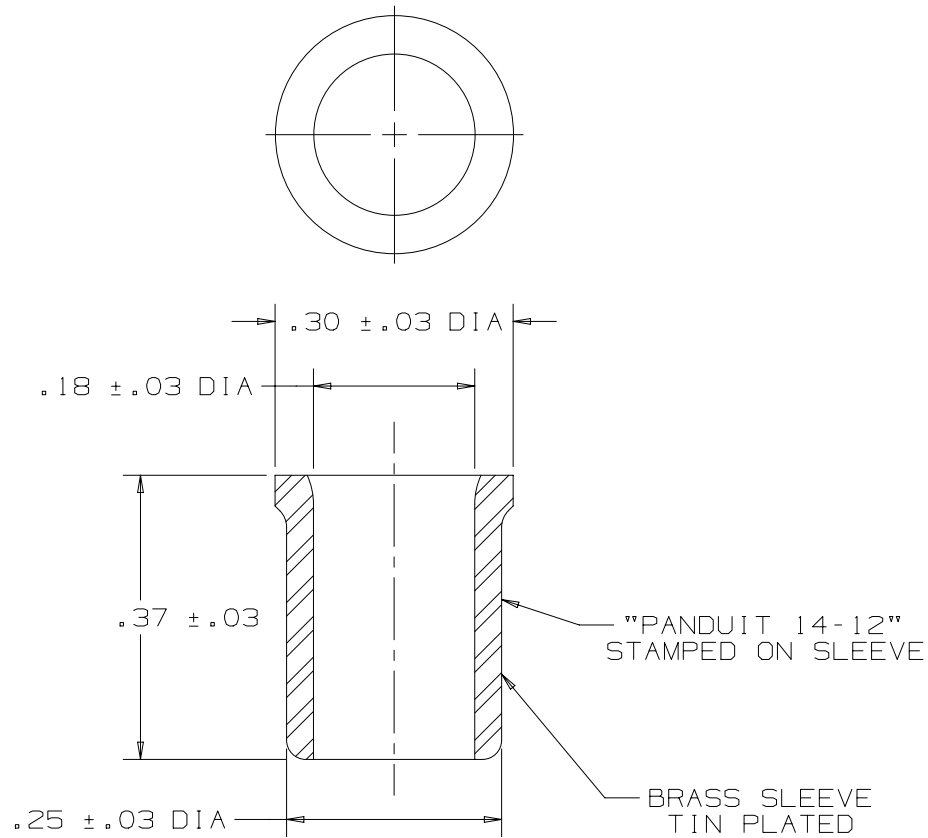
Contact us

Tel: +86-755-8981 8866 Fax: +86-755-8427 6832

Email & Skype: info@chipsmall.com Web: www.chipsmall.com

Address: A1208, Overseas Decoration Building, #122 Zhenhua RD., Futian, Shenzhen, China





NOTES:

1. RECOMMENDED TOOL - CT-100A OR CT-200
2. FOR SOLID OR STRANDED COPPER WIRE
3. COMBINATIONS #18 AWG - #12 AWG
4. WIRE STRIP LENGTH: 1/2" ^{+1/32} ₋₀

WIRE COMBINATION CHART FOR WIRE JOINT J214-312

WIRE SIZE	NO. OF WIRES	NUMBER OF ADDITIONAL WIRES OF ONE SIZE			
		#18 AWG	#16 AWG	#14 AWG	#12 AWG
#18 AWG	1	3 to 11	2 to 6	1 to 4	0
	2	2 to 10	1 to 5	1 to 3	2
	3	1 to 9	1 to 4	1 to 3	2
	4	1 to 8	1 to 3	1 to 3	2
	5	1 to 7	1 or 2	1 or 2	0
	6	1 to 6	1	1 or 2	0
	7	1 to 5	1	1	0
	8	1 to 4	1	0	0
	9	1 to 3	1	0	0
	10	1 or 2	0	0	0
	11	1	0	0	0
#16 AWG	1	2 to 9	1 to 6	1 to 3	0
	2	1 to 5	1 to 5	1 to 3	2
	3	1 to 4	1 to 4	1 or 2	1 or 2
	4	1 to 3	1 to 3	1 or 2	1
	5	1 or 2	1 or 2	1	1
	6	1	1	1	0
#14 AWG	1	1 to 7	1 to 6	1 to 3	2
	2	1 to 6	1 to 4	1 or 2	1
	3	1 to 4	1 or 2	1	1
	4	1	0	0	0
#12 AWG	1	0	3 to 5	2 to 3	2
	2	2 to 4	2 to 3	1	1
	3	0	0	0	0



LISTED
587H
E52164



CERTIFIED
LR31212

A41004_05

PANDUIT

NON-INSULATED WIRE JOINT J214-312

REV	DATE	BY	CHK	DESCRIPTION	ECN	SUP	APP
5	6/15	TMR		ADDED TOLERANCES TO DIMS	N41004BA-DC		
4	1/01	SAB		FILE SPEC. WAS N41004_PCD_03			
3	7/96	JB		ORIGINAL FILE SPEC. WAS A41004.2 ADDED NOTE #5			
2	1/88	CK		ADDED COPPER WIRE, CERTIFIED			
1	9-87	DM		MAT'L WAS STEEL / REDRAWN ON CAD			

DRAWN BY DSM	CHK'D	SCALE 4X	DRAWING NO. A41004
-----------------	-------	-------------	-----------------------