



Chipsmall Limited consists of a professional team with an average of over 10 year of expertise in the distribution of electronic components. Based in Hongkong, we have already established firm and mutual-benefit business relationships with customers from,Europe,America and south Asia,supplying obsolete and hard-to-find components to meet their specific needs.

With the principle of “Quality Parts,Customers Priority,Honest Operation,and Considerate Service”,our business mainly focus on the distribution of electronic components. Line cards we deal with include Microchip,ALPS,ROHM,Xilinx,Pulse,ON,Everlight and Freescale. Main products comprise IC,Modules,Potentiometer,IC Socket,Relay,Connector.Our parts cover such applications as commercial,industrial, and automotives areas.

We are looking forward to setting up business relationship with you and hope to provide you with the best service and solution. Let us make a better world for our industry!



Contact us

Tel: +86-755-8981 8866 Fax: +86-755-8427 6832

Email & Skype: info@chipsmall.com Web: www.chipsmall.com

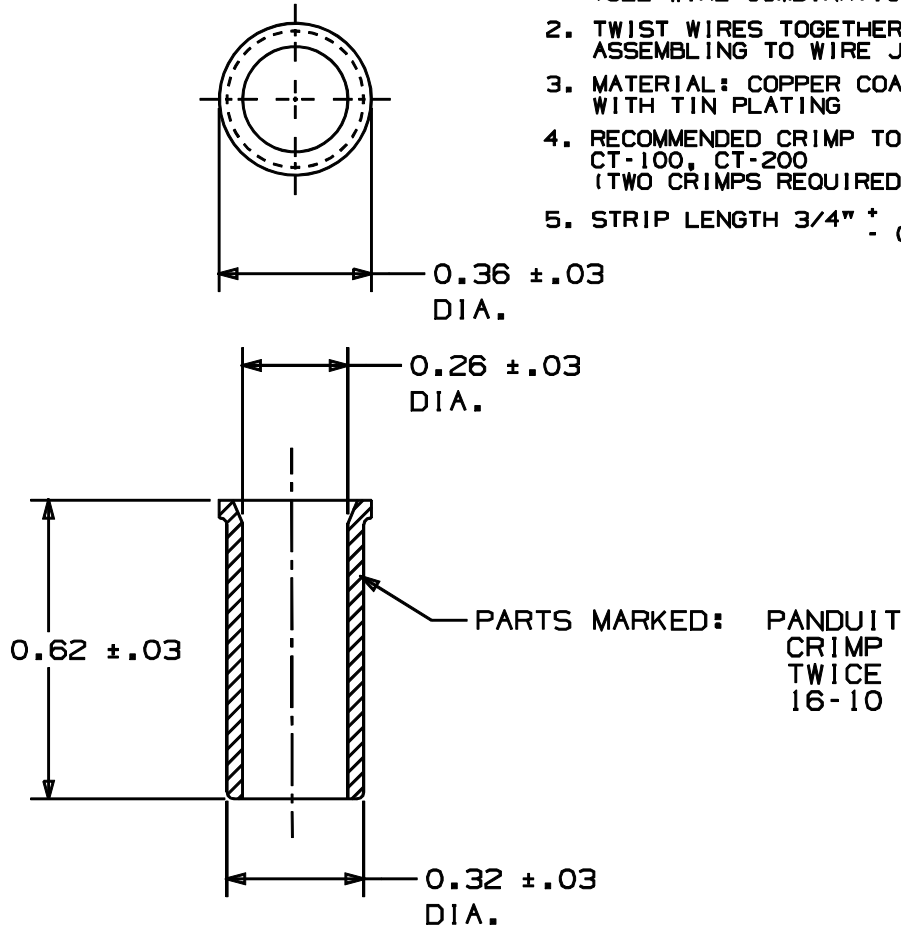
Address: A1208, Overseas Decoration Building, #122 Zhenhua RD., Futian, Shenzhen, China



WIRE COMBINATION CHART
FOR WIRE JOINT J216-410

NOTES:

1. FOR #16-#10 AWG SOLID OR STRANDED COPPER WIRE (SEE WIRE COMBINATION CHART)
2. TWIST WIRES TOGETHER BEFORE ASSEMBLING TO WIRE JOINT
3. MATERIAL: COPPER COATED STEEL WITH TIN PLATING
4. RECOMMENDED CRIMP TOOLS: CT-100, CT-200 (TWO CRIMPS REQUIRED)
5. STRIP LENGTH $3/4" \pm 1/16"$ - $0"$



WIRE SIZE	NUMBER OF WIRES	NUMBER OF ADDITIONAL WIRES OF ONE SIZE			
		#16 AWG	#14 AWG	#12 AWG	#10 AWG
#16 AWG	1	1 TO 8	1 TO 5	1 TO 4	1 TO 3
	2	1 TO 7	1 TO 4	1 TO 4	1 TO 3
	3	1 TO 6	1 TO 4	1 TO 3	1 OR 2
	4	1 TO 5	1 TO 3	1 TO 3	1 OR 2
	5	1 TO 4	1 TO 3	1 OR 2	1
	6	1 TO 3	1 OR 2	1 OR 2	1
	7	1 OR 2	1	1	0
	8	1	0	0	0
#14 AWG	1	1 TO 7	1 TO 5	1 TO 4	1 TO 3
	2	1 TO 6	1 TO 4	1 TO 3	1 OR 2
	3	1 TO 5	1 TO 3	1 OR 2	1 OR 2
	4	1 TO 3	1 OR 2	1 OR 2	1
	5	1	1	1	0
#12 AWG	1	1 TO 7	1 TO 5	1 TO 4	1 TO 3
	2	1 TO 6	1 TO 4	1 TO 3	1 OR 2
	3	1 TO 4	1 OR 2	1 OR 2	1
	4	1 OR 2	1	1	1
#10 AWG	1	1 TO 6	1 TO 4	1 TO 4	1 TO 3
	2	1 TO 4	1 TO 3	1 OR 2	1 OR 2
	3	1 OR 2	1	1	1

CIRCULAR MIL RANGE 5160-41600

A41006_02

02	1/01	SAB		FILE SPEC. WAS N41006AA_PCD_01					<p>TINLEY PARK, ILLINOIS</p> <p>NON-INSULATED WIRE JOINT J216-410</p>		
01	11/95	ED		REVISED & REDRAWN ON CAD							
00	3/83	KBL	LA	DRAWING RELEASED		LA	KS				
REV	DATE	BY	CHK	DESCRIPTION	ECN #	APP	PM	DRAWN BY ED	CHK'D	SCALE	DRAWING NO. A41006