



Chipsmall Limited consists of a professional team with an average of over 10 year of expertise in the distribution of electronic components. Based in Hongkong, we have already established firm and mutual-benefit business relationships with customers from,Europe,America and south Asia,supplying obsolete and hard-to-find components to meet their specific needs.

With the principle of “Quality Parts,Customers Priority,Honest Operation,and Considerate Service”,our business mainly focus on the distribution of electronic components. Line cards we deal with include Microchip,ALPS,ROHM,Xilinx,Pulse,ON,Everlight and Freescale. Main products comprise IC,Modules,Potentiometer,IC Socket,Relay,Connector.Our parts cover such applications as commercial,industrial, and automotives areas.

We are looking forward to setting up business relationship with you and hope to provide you with the best service and solution. Let us make a better world for our industry!



Contact us

Tel: +86-755-8981 8866 Fax: +86-755-8427 6832

Email & Skype: info@chipsmall.com Web: www.chipsmall.com

Address: A1208, Overseas Decoration Building, #122 Zhenhua RD., Futian, Shenzhen, China

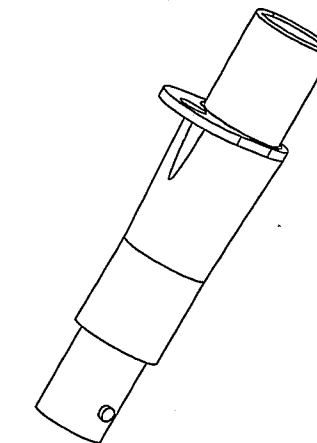
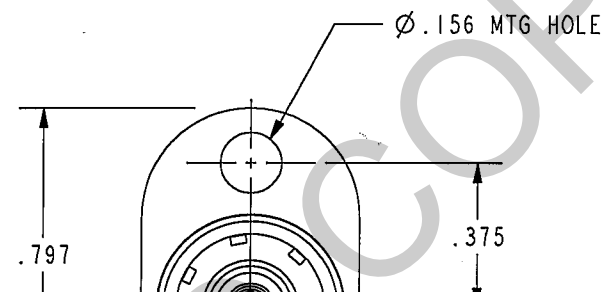
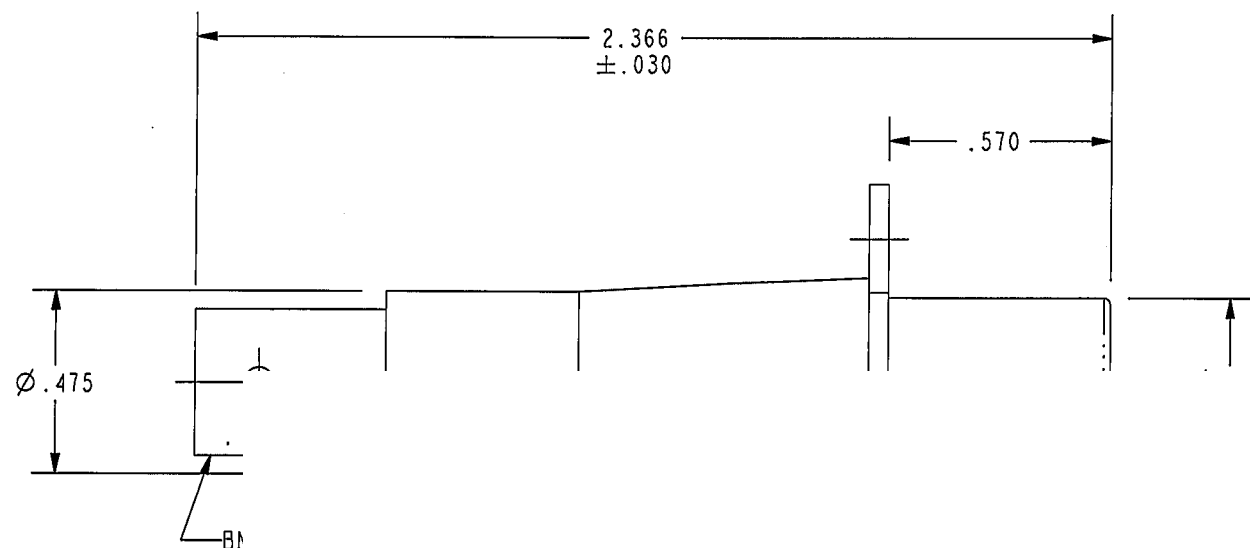


MODEL	APPLICATION	
	IMPD	PIN SIZE
J3	50Ω	.070 (RCA)
J3W	75Ω	.090 (W.E.CO.)

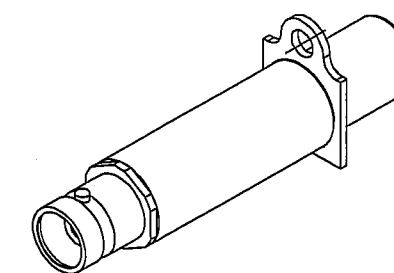
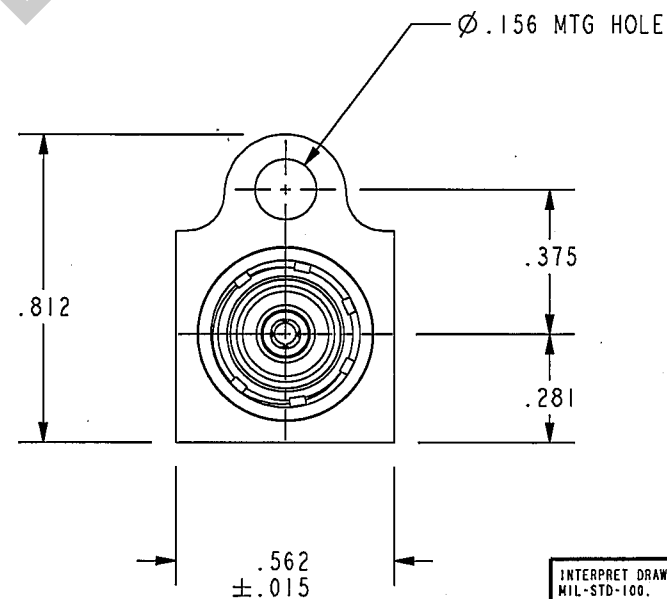
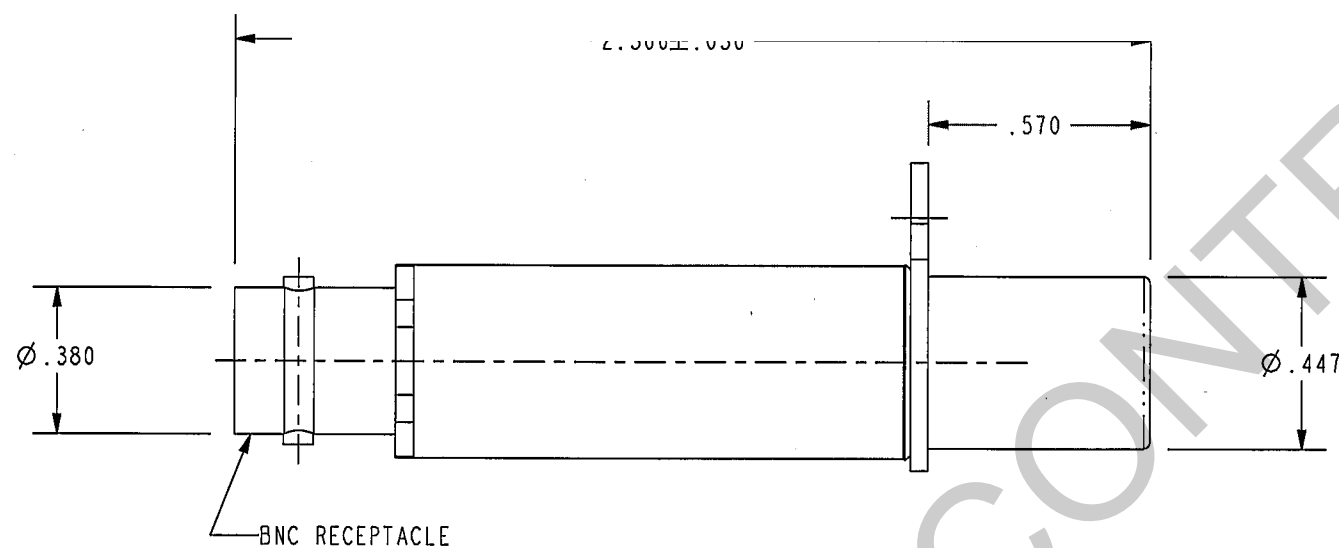
DATA CONTAINED IN THIS DOCUMENT IS PROPRIETARY OF TROMPETER ELECTRONICS INC. AND SHALL NOT BE DISCLOSED, COPIED OR USED FOR PROCUREMENT OR MANUFACTURE WITHOUT EXPRESS WRITTEN PERMISSION.

REVISIONS

REV	DESCRIPTION	DATE	APPROVED
P	REVISED PER ECO #14374	2-7-02	MM



SCALE 1/1



SCALE 1/1

J3

RED INDICATES ORIGINAL

2. FINISH: TFS-1A (NICKEL)

1. 50 & 75 Ω COAXIAL PATCH JACK WITH BNC RECEPTACLE

NOTES: UNLESS OTHERWISE SPECIFIED.

INTERPRET DRAWING PER MIL-STD-100. DIMENSIONS ARE IN INCHES AND INCLUDE FINISH THICKNESS UNLESS OTHERWISE SPECIFIED

TOL: UNLESS SPECIFIED
 .XX ± .02
 .XXX ± .010
 ANGLE ± 1°

DRN	PD	1-31-02	MATERIAL	
CHK	JLM	2-7-02	FINISH	
QUALITY		2-7-02		
MANUF		2-7-02		
APPROVED		2/7/02		
PROJ FILE NO.	1-0100		DO NOT SCALE DWG	



TITLE: J3/J3W			
SIZE	CAGE CODE	DRAWING NO.	REV
B	14949	1-0100	P
SCALE	DATE	SHEET	IC
2/1			