



Chipsmall Limited consists of a professional team with an average of over 10 year of expertise in the distribution of electronic components. Based in Hongkong, we have already established firm and mutual-benefit business relationships with customers from,Europe,America and south Asia,supplying obsolete and hard-to-find components to meet their specific needs.

With the principle of “Quality Parts,Customers Priority,Honest Operation,and Considerate Service”,our business mainly focus on the distribution of electronic components. Line cards we deal with include Microchip,ALPS,ROHM,Xilinx,Pulse,ON,Everlight and Freescale. Main products comprise IC,Modules,Potentiometer,IC Socket,Relay,Connector.Our parts cover such applications as commercial,industrial, and automotives areas.

We are looking forward to setting up business relationship with you and hope to provide you with the best service and solution. Let us make a better world for our industry!



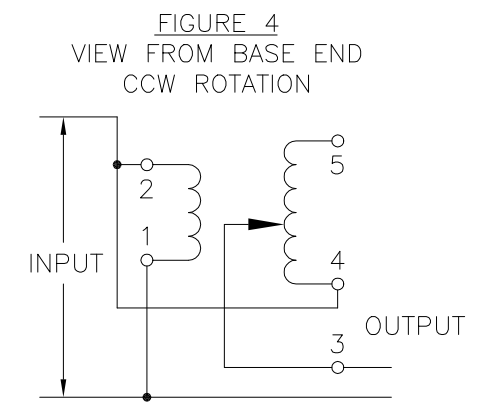
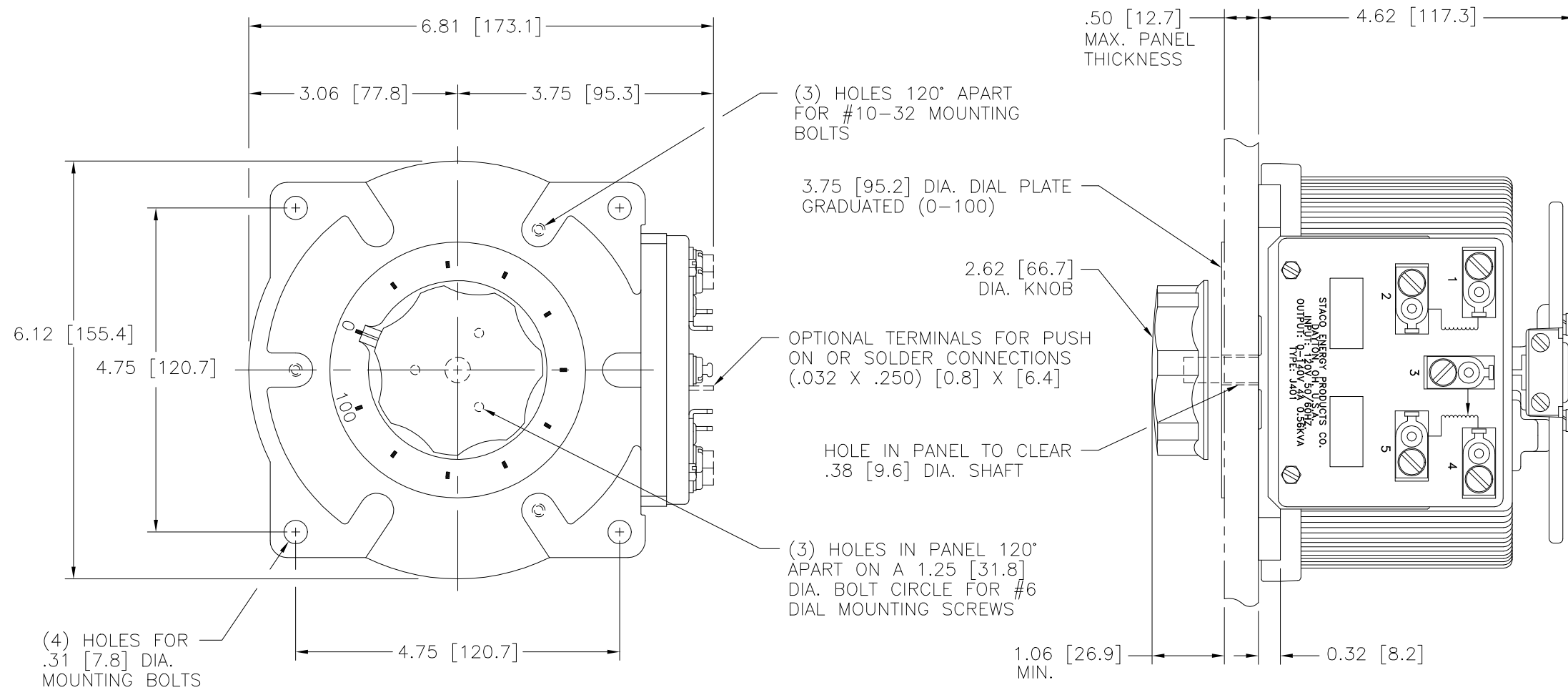
Contact us

Tel: +86-755-8981 8866 Fax: +86-755-8427 6832

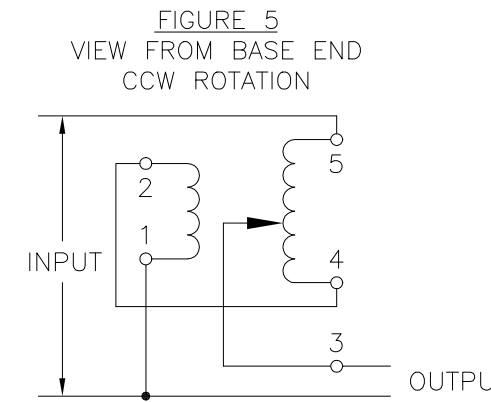
Email & Skype: info@chipsmall.com Web: www.chipsmall.com

Address: A1208, Overseas Decoration Building, #122 Zhenhua RD., Futian, Shenzhen, China

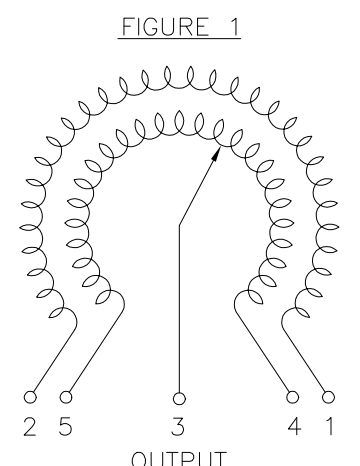




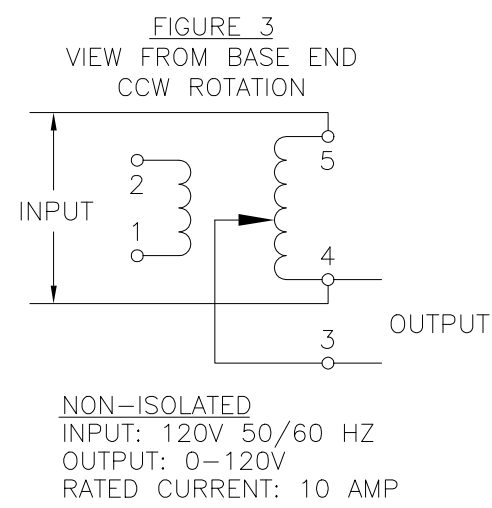
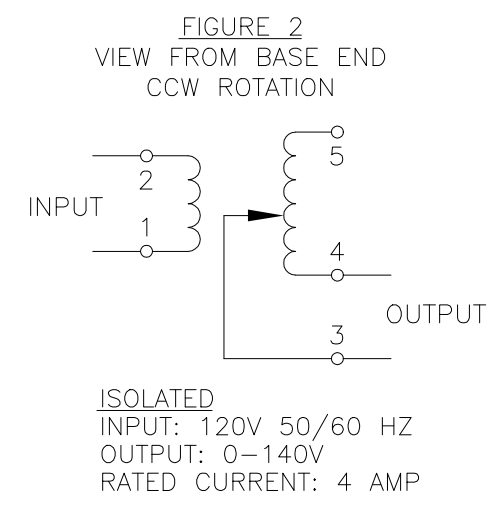
VOLTAGE DOUBLER
 INPUT: 120V 50/60 HZ
 OUTPUT: 0-120V
 RATED CURRENT: 4 AMP @ 260V
 INCREASING TO 9 AMP @ 120V



SERIES
 INPUT: 240V 50/60 HZ
 OUTPUT: 110-240V
 RATED CURRENT: 9 AMP



SCHEMATIC
 VIEW FROM BASE END
 FUSE RECOMMENDED BUT NOT SUPPLIED
 FOR OPPOSITE ROTATION INTERCHANGE
 CONNECTIONS FROM 1 TO 2 AND 4 TO 5



SPECIFICATIONS										
SCHEMATIC	WIRING	INPUT		OUTPUT			SHAFT ROTATION TO INCREASE VOLTAGE	TERMINAL CONNECTIONS		
		VOLTS	HERTZ	VOLTS	CONSTANT CURRENT LOAD	MAX. AMPS		MAX. KVA	FOR INCREASING VOLTAGE AS VIEWED FROM BASE END	
								INPUT	JUMPER	OUTPUT
FIGURE 2	ISOLATED	120	50/60	0-140	4	0.56	CW	1-2	---	3-5
								CCW	1-2	---
FIGURE 3	NON-ISOLATED	120	50/60	0-120	10	1.20	CW	4-5	---	3-5
								CCW	4-5	---
FIGURE 4	VOLTAGE DOUBLER	120-260	50/60	120-260	9	1.04	CW	1-2	1-5	3-2
								CCW	1-2	2-4
FIGURE 5	SERIES	240	50/60	110-240	9	2.16	CW	1-5	1-5	3-2
							CCW	1-5	2-4	3-1

UNLESS OTHERWISE SPECIFIED, TOLERANCE IS ±
 DECIMALS .06 HOLES .002 ANGLES 1° DRAFT 1-1/2°
 .XX .005
 .XXX .005

MATERIAL: ALL DIMENSIONS APPLY AFTER PLATING

UNITS IN [mm]

TITLE: SPEC. CONTROL DRAWING
 VARIABLE TRANSFORMER
 TYPE: J401

DRAWN BY: TIM RAU DATE: 5/21/02 FIRST USED ON: 031-8862 DO NOT SCALE DWG.
 CHECKER: S.A. SMITH DATE: 5/24/02 WEIGHT APPROX.: 14.75 LBS. CAGE CODE: 83008
 ENGINEER: S.A. SMITH DATE: 5/24/02 SCALE: 1=1 SHEET 1 OF 1

DWG. NO. 031-8862

STACO ENERGY PRODUCTS CO.
 A Components Corporation of America Company
 302 Gadsden Boulevard Dayton, Ohio 45403 USA