



Chipsmall Limited consists of a professional team with an average of over 10 year of expertise in the distribution of electronic components. Based in Hongkong, we have already established firm and mutual-benefit business relationships with customers from,Europe,America and south Asia,supplying obsolete and hard-to-find components to meet their specific needs.

With the principle of “Quality Parts,Customers Priority,Honest Operation,and Considerate Service”,our business mainly focus on the distribution of electronic components. Line cards we deal with include Microchip,ALPS,ROHM,Xilinx,Pulse,ON,Everlight and Freescale. Main products comprise IC,Modules,Potentiometer,IC Socket,Relay,Connector.Our parts cover such applications as commercial,industrial, and automotives areas.

We are looking forward to setting up business relationship with you and hope to provide you with the best service and solution. Let us make a better world for our industry!



## Contact us

Tel: +86-755-8981 8866 Fax: +86-755-8427 6832

Email & Skype: info@chipsmall.com Web: www.chipsmall.com

Address: A1208, Overseas Decoration Building, #122 Zhenhua RD., Futian, Shenzhen, China



THIS DRAWING IS UNPUBLISHED.

RELEASED FOR PUBLICATION

---

© COPYRIGHT - BY TYCO ELECTRONICS CORPORATION.

ALL RIGHTS RESERVED.

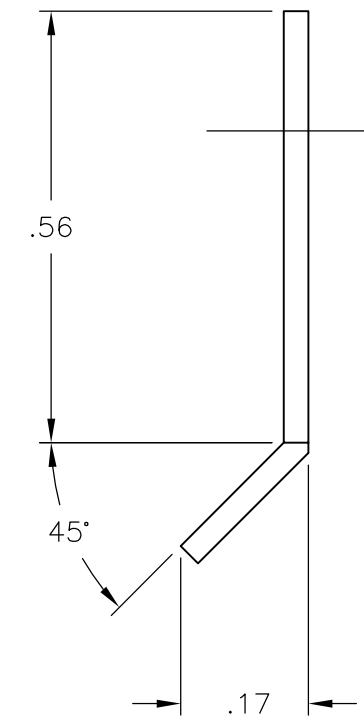
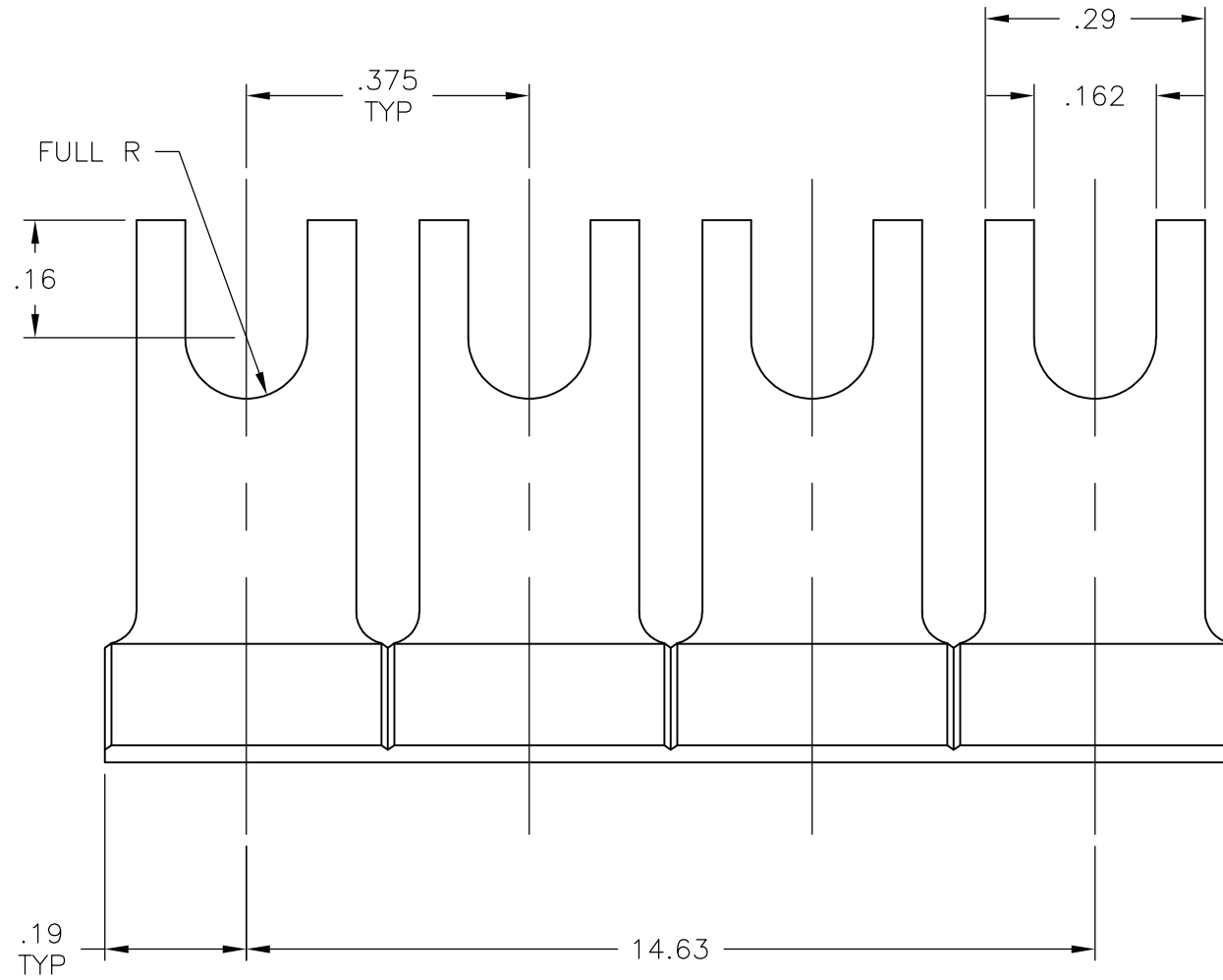
LOC FT DIST 0

REVISIONS

P	LTR	DESCRIPTION	DATE	DWN	APVD
	A	-	11/20/07	SS	SRY

NOTES:

- ① MATERIAL: .032 THK BRASS, 1/2 HARD.
- ② FINISH: .0002 MIN THK BRIGHT TIN OVER .0001 MIN THK COPPER.
- 3. PART CONTAINS 40 BREAK-AWAY POSITIONS.



J6140	5-1437418-4
CATALOG NO.	PART NUMBER

THIS DRAWING IS A CONTROLLED DOCUMENT.		DWN S SCHLEGEL 11/20/07	Tyco Electronics Corporation Harrisburg, PA 17105-3608		
DIMENSIONS: INCHES		CHK C WARNER 11/20/07			
TOLERANCES UNLESS OTHERWISE SPECIFIED:		APVD C WARNER 11/20/07	NAME 3/8 AROUND BARRIER SPADE TYPE JUMPER		
0 PLC ± - 1 PLC ± - 2 PLC ± .01 3 PLC ± .005 4 PLC ± - ANGLES ± 1°		PRODUCT SPEC -	RESTRICTED TO -		
MATERIAL - ①		APPLICATION SPEC -	SIZE A3	CAGE CODE 00779	DRAWING NO C-5-1437418-4
FINISH - ②		WEIGHT -	SCALE 4:1		SHEET 1 OF 1
CUSTOMER DRAWING			REV A		