



Chipsmall Limited consists of a professional team with an average of over 10 year of expertise in the distribution of electronic components. Based in Hongkong, we have already established firm and mutual-benefit business relationships with customers from,Europe,America and south Asia,supplying obsolete and hard-to-find components to meet their specific needs.

With the principle of “Quality Parts,Customers Priority,Honest Operation,and Considerate Service”,our business mainly focus on the distribution of electronic components. Line cards we deal with include Microchip,ALPS,ROHM,Xilinx,Pulse,ON,Everlight and Freescale. Main products comprise IC,Modules,Potentiometer,IC Socket,Relay,Connector.Our parts cover such applications as commercial,industrial, and automotives areas.

We are looking forward to setting up business relationship with you and hope to provide you with the best service and solution. Let us make a better world for our industry!



Contact us

Tel: +86-755-8981 8866 Fax: +86-755-8427 6832

Email & Skype: info@chipsmall.com Web: www.chipsmall.com

Address: A1208, Overseas Decoration Building, #122 Zhenhua RD., Futian, Shenzhen, China



THIS DRAWING IS UNPUBLISHED.

RELEASED FOR PUBLICATION

© COPYRIGHT - By -

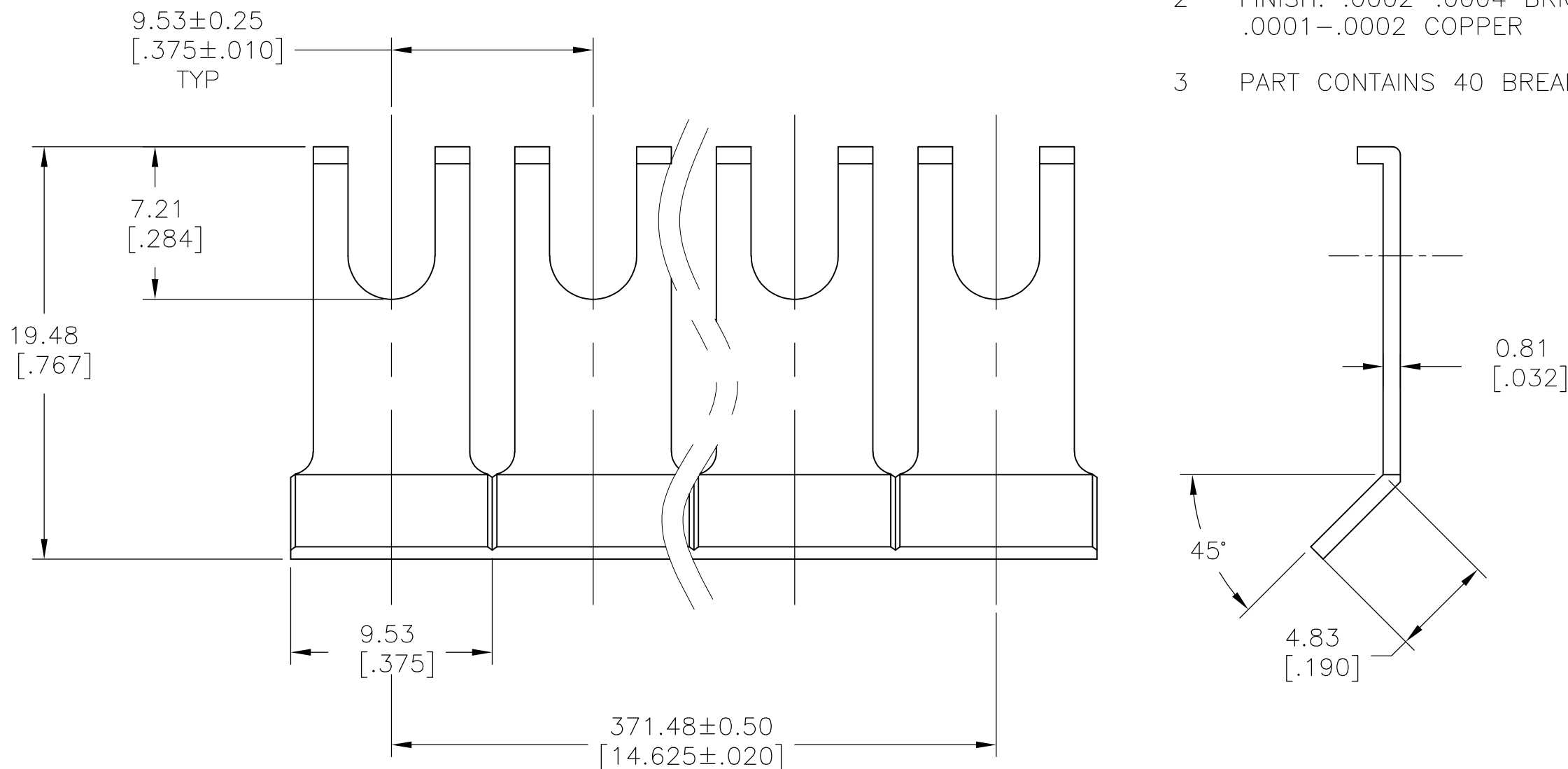
ALL RIGHTS RESERVED.

LOC FT DIST 0

REVISIONS

P	LTR	DESCRIPTION	DATE	DWN	APVD
	C	REVISED PER ECO-13-017509	08NOV2013	KH	MB

- 1 MATERIAL: BRASS
- 2 FINISH: .0002-.0004 BRIGHT TIN OVER .0001-.0002 COPPER
- 3 PART CONTAINS 40 BREAK-AWAY POSITIONS.



PKG FOR SALE	J6240	5-1437418-5
NOTES	CATALOG NO.	PART NUMBER

THIS DRAWING IS A CONTROLLED DOCUMENT.		DWN 30MAR2013 KIRAN HOLAL	STE TE Connectivity	
DIMENSIONS: mm [INCHES]		CHK 30MAR2013 MARK BRUBAKER		
TOLERANCES UNLESS OTHERWISE SPECIFIED:		APVD 30MAR2013 MARK BRUBAKER	NAME 3/8 AROUND BARRIER FLANGED SPADE TYPE JUMPER	
0 PLC ± -		PRODUCT SPEC	SIZE	
1 PLC ± -		APPLICATION SPEC	CAGE CODE	
2 PLC ± 0.50 [.020]		WEIGHT	DRAWING NO	
3 PLC ± 0.38 [.015]		CUSTOMER DRAWING	RESTRICTED TO	
4 PLC ± -			A3 00779 C-5-1437418-5	
ANGLES ± 1°			SCALE 10:1 SHEET 1 OF 1 REV C	
MATERIAL				
FINISH				