



Chipsmall Limited consists of a professional team with an average of over 10 year of expertise in the distribution of electronic components. Based in Hongkong, we have already established firm and mutual-benefit business relationships with customers from,Europe,America and south Asia,supplying obsolete and hard-to-find components to meet their specific needs.

With the principle of “Quality Parts,Customers Priority,Honest Operation,and Considerate Service”,our business mainly focus on the distribution of electronic components. Line cards we deal with include Microchip,ALPS,ROHM,Xilinx,Pulse,ON,Everlight and Freescale. Main products comprise IC,Modules,Potentiometer,IC Socket,Relay,Connector.Our parts cover such applications as commercial,industrial, and automotives areas.

We are looking forward to setting up business relationship with you and hope to provide you with the best service and solution. Let us make a better world for our industry!



Contact us

Tel: +86-755-8981 8866 Fax: +86-755-8427 6832

Email & Skype: info@chipsmall.com Web: www.chipsmall.com

Address: A1208, Overseas Decoration Building, #122 Zhenhua RD., Futian, Shenzhen, China



4

3

2

1

THIS DRAWING IS UNPUBLISHED.

RELEASED FOR PUBLICATION

20

© COPYRIGHT 20

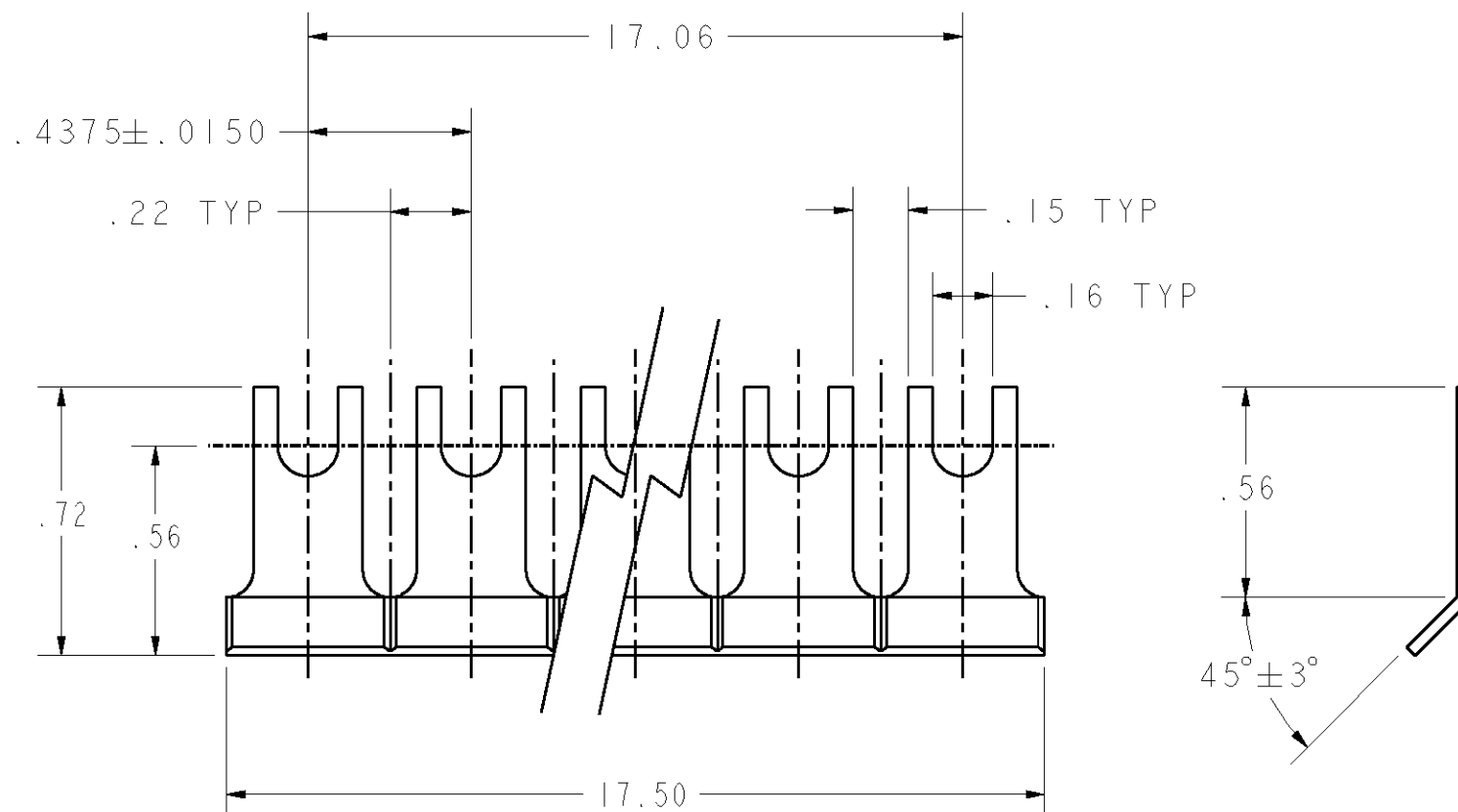
BY TYCO ELECTRONICS CORPORATION. ALL RIGHTS RESERVED.

LOC
FT

DIST
0

REVISIONS

P	LTR	DESCRIPTION	DATE	DWN	APVD
	A	RELEASED	11SEP2001	EZ	SY



NOTES:

- MATERIAL: TIN PLATED COPPER ALLOY
.032 THK.
- BUCHANAN CATALOG NO. J7140
TYCO P/N 5-1437418-7

<small>THIS DRAWING IS A CONTROLLED DOCUMENT FOR TYCO ELECTRONICS CORPORATION IT IS SUBJECT TO CHANGE AND THE CONTROLLING ENGINEERING ORGANIZATION SHOULD BE CONTACTED FOR THE LATEST REVISION.</small>		DWN E. ZANOLINI	11SEP2001	BUCHANAN Tyco Electronics Harrisburg, PA 17105-3608
DIMENSIONS: INCHES		CHK S. YODER	11SEP2001	
		APVD S. YODER	11SEP2001	
TOLERANCES UNLESS OTHERWISE SPECIFIED:		PRODUCT SPEC -		NAME 7/16 AROUND BARRIER SPADE TYPE BREAK-APART 40 POSITION JUMPER
0 PLC ±- 1 PLC ±- 2 PLC ±0.01 3 PLC ±0.001 4 PLC ±0.0001 ANGLES ±1		APPLICATION SPEC -		
MATERIAL -		WEIGHT -		SIZE A3 CAGE CODE 00779 DRAWING NO C-5-1437418-7 RESTRICTED TO -
FINISH -		CUSTOMER DRAWING		SCALE NTS SHEET 1 OF 1 REV A