



Chipsmall Limited consists of a professional team with an average of over 10 year of expertise in the distribution of electronic components. Based in Hongkong, we have already established firm and mutual-benefit business relationships with customers from,Europe,America and south Asia,supplying obsolete and hard-to-find components to meet their specific needs.

With the principle of “Quality Parts,Customers Priority,Honest Operation,and Considerate Service”,our business mainly focus on the distribution of electronic components. Line cards we deal with include Microchip,ALPS,ROHM,Xilinx,Pulse,ON,Everlight and Freescale. Main products comprise IC,Modules,Potentiometer,IC Socket,Relay,Connector.Our parts cover such applications as commercial,industrial, and automotives areas.

We are looking forward to setting up business relationship with you and hope to provide you with the best service and solution. Let us make a better world for our industry!



Contact us

Tel: +86-755-8981 8866 Fax: +86-755-8427 6832

Email & Skype: info@chipsmall.com Web: www.chipsmall.com

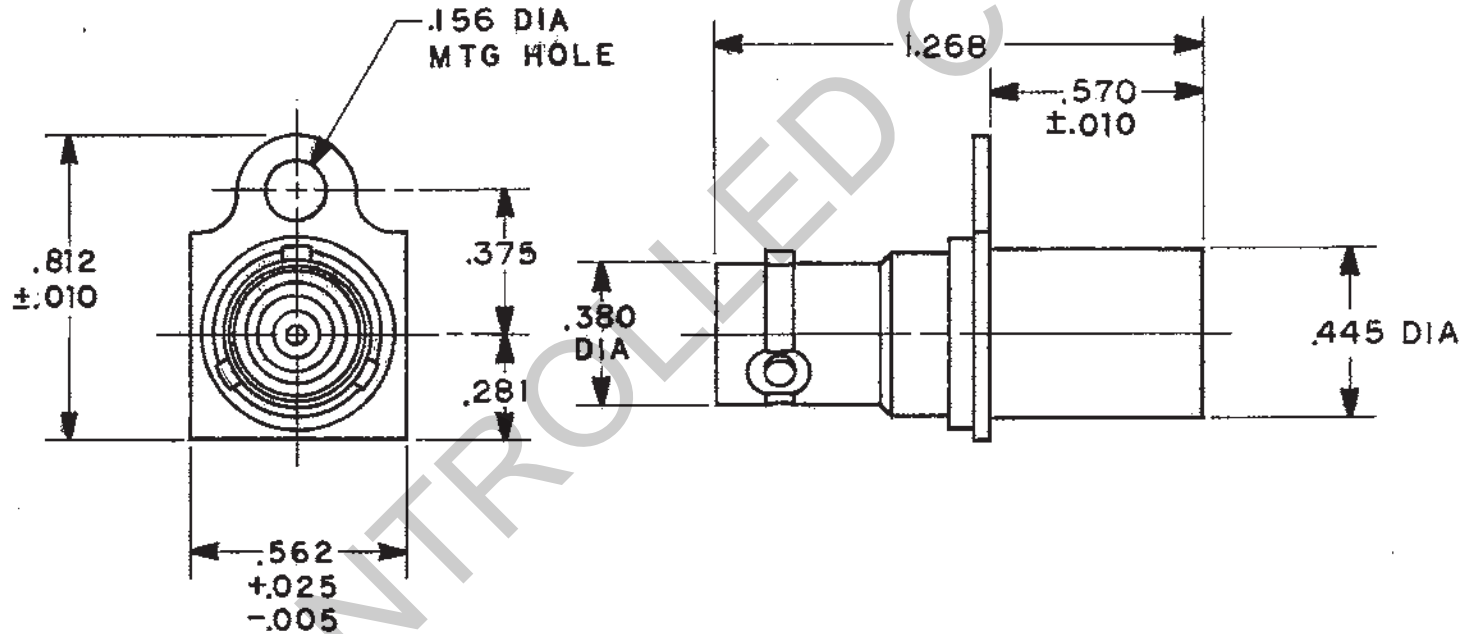
Address: A1208, Overseas Decoration Building, #122 Zhenhua RD., Futian, Shenzhen, China



DATA CONTAINED IN THIS DOCUMENT IS PROPRIETARY TO TROMPETER ELECTRONICS INC. AND SHALL NOT BE DISCLOSED, COPIED OR USED FOR PROCUREMENT OR MANUFACTURE WITHOUT EXPRESS WRITTEN PERMISSION.


REVISIONS			3-0005		SH 1
REV	EO	DESCRIPTION	DWN	APPROVED	DATE
C	5814	REV & REDWN	BAT	<i>R TW</i>	7-12-83
D	8139	REV L/M & DWG NO WAS 3000-0005	DKC	<i>OK; BML</i>	6-29-88
E	8218	DIM .570 WAS .550	DJK	<i>OK; BML</i>	12-15-88

INCH	MM
.005	0.13
.010	0.25
.025	0.64
.156	3.96
.281	7.14
.375	9.53
.380	9.65
.445	11.30
.562	14.27
.570	14.48
.812	20.62
1.268	32.21



3. CONCENTRIC TWINAX/TRIAX PATCH JACK WITH TRB REAR ENTRY
2. FINISH: TFS-1A (NICKEL)
1. ALL DIM ARE IN INCHES

155-0557
155-0511
155-0475
NEXT ASSY

QTY	DESCRIPTION	PART NUMBER	ITEM
TOL UNLESS SPECIFIED .XX ± .XXX ± .005 .XXXX ± ANGLES ±		 J72	
DWN	BAT 2-18-83		
CHK	<i>BT</i> 3-7-83	—	14949
ENGR	<i>TW</i> 7-11-83	DRAWING NO. 3-0005	
APPR	<i>BT</i> 7-12-83	SCALE 2/1	DATE 12-9-66
		SHEET 1 OF 2	