



Chipsmall Limited consists of a professional team with an average of over 10 year of expertise in the distribution of electronic components. Based in Hongkong, we have already established firm and mutual-benefit business relationships with customers from,Europe,America and south Asia,supplying obsolete and hard-to-find components to meet their specific needs.

With the principle of “Quality Parts,Customers Priority,Honest Operation,and Considerate Service”,our business mainly focus on the distribution of electronic components. Line cards we deal with include Microchip,ALPS,ROHM,Xilinx,Pulse,ON,Everlight and Freescale. Main products comprise IC,Modules,Potentiometer,IC Socket,Relay,Connector.Our parts cover such applications as commercial,industrial, and automotives areas.

We are looking forward to setting up business relationship with you and hope to provide you with the best service and solution. Let us make a better world for our industry!



Contact us

Tel: +86-755-8981 8866 Fax: +86-755-8427 6832

Email & Skype: info@chipsmall.com Web: www.chipsmall.com

Address: A1208, Overseas Decoration Building, #122 Zhenhua RD., Futian, Shenzhen, China

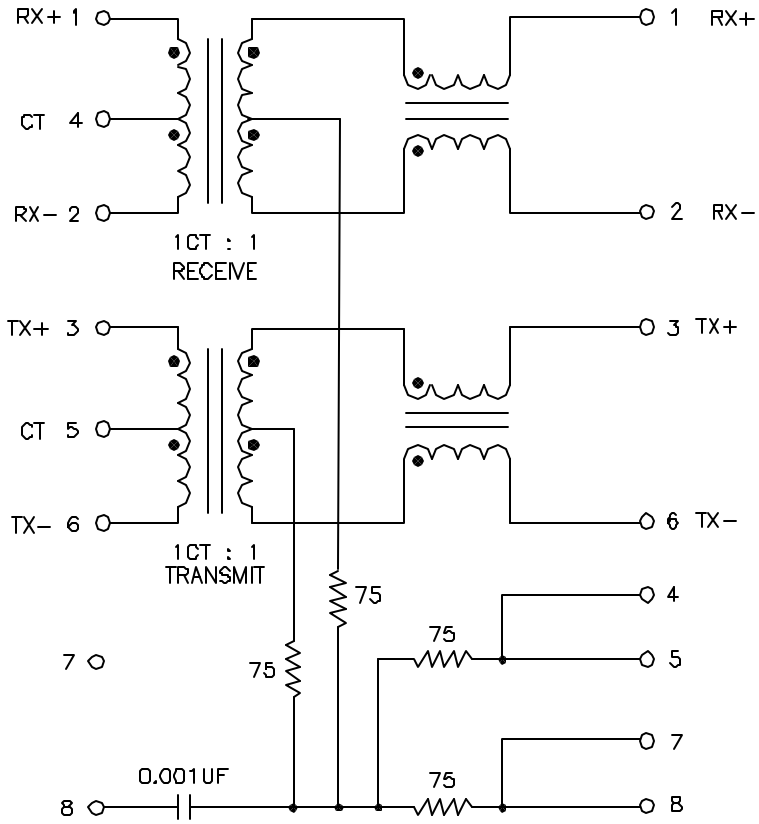


J8064D649P

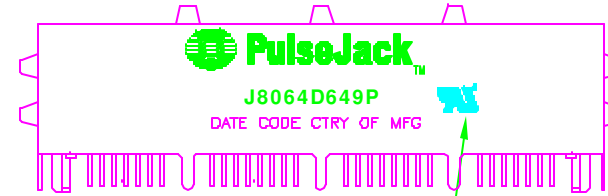
NOTICE: THE INFORMATION AND DESIGN CONTAINED HEREIN IS THE PROPERTY OF PULSE JACK WHO RESERVES ALL RIGHTS THEREON.

FINAL OUTLINE NOTE:

- 1. CHECK DIMENSIONS PER PACKAGE SPECIFICATION ITEM 7.

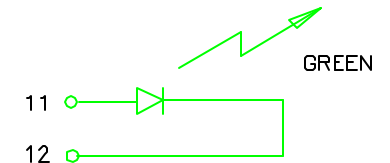
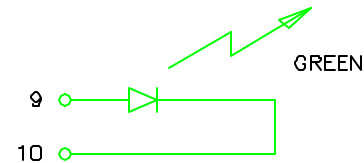


SCHEMATIC



MARK PART WITH "UL MARK" PER MARKING PROCEDURE. MARK POSITION IS OPTIONAL PREFERRED LOCATION IS BACK OF THE PART.

BACK VIEW
FINAL OUTLINE



UNLESS OTHERWISE SPECIFIED, ALL DIMENSIONS ARE IN INCHES TOLERANCES ARE:
 DECIMALS .XX ±.01 ANGLES ± 1°
 .XXX ±.005
 DO NOT SCALE DRAWING

SIZE: A301961
 SCALE: NONE

DWG. NO.: J8064D649P
 CADD FILE: J8064D649P-7

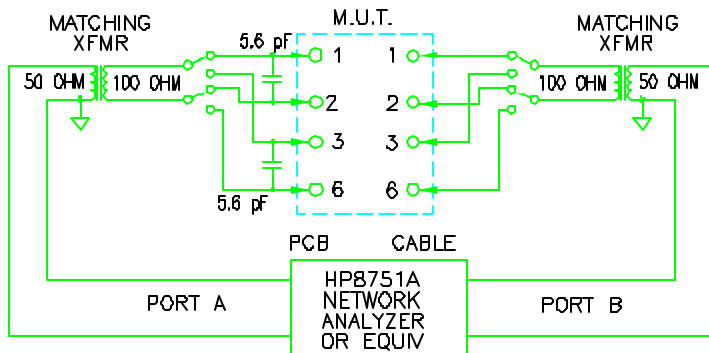
REV. 12
 SHEET 7 OF 7

125-J8064

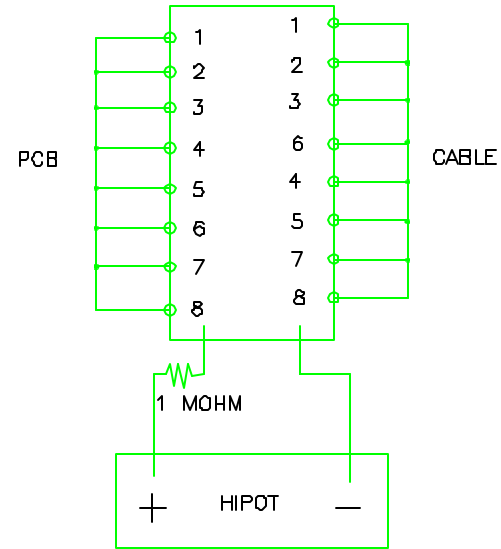
NOTICE: THE INFORMATION AND DESIGN CONTAINED HEREIN IS THE PROPERTY OF PULSE WHO RESERVES ALL RIGHTS THERETO.

TEST NOTES:
UNLESS OTHERWISE SPECIFIED, TESTING IS PERFORMED AT 25°C ±5°C.

1. HIPOT: (100%) WITH PCB PINS (1-8) CONNECTED AND CABLE PINS (1-8) CONNECTED, APPLY 2400 VDC, 2 mA, FOR 9 SECONDS ACROSS PCB PINS AND CABLE PINS. NEED A 1 MOHM RESISTOR IN SERIES WITH THE TEST FIXTURE.
2. CONNECTIVITY: (100%)
 - 2.1 VERIFY FOLLOWING CONTINUITY:
 PCB {1-4} = {2-4} = 1.00 OHMS MAXIMUM.
 PCB {3-5} = {5-6} = 1.00 OHMS MAXIMUM.
 CABLE {1-2} = 2.00 OHMS MAXIMUM.
 CABLE {3-6} = 2.00 OHMS MAXIMUM.
 CABLE {1-3} = {5-8} = {4-7} = 140 TO 160 OHMS
 CABLE {1-4} = 140 TO 160 OHMS
 - 2.2 VERIFY OPENS (RESISTANCE > 10 MEGOHMS)
 PCB (2) TO PCB (3), PCB (6) TO PCB (8)
 PCB (6) TO PCB (7), PCB (7) TO PCB (8)
 - 2.3 CAPACITANCE - PCB 8 TO CABLE 8.
 700 pF MIN. AT 1 KHZ, 1 V ON LCR METER.
3. OCL: (100%) 400uH MINIMUM WITH 8 mA DC BIAS AT 100 KHZ MEASURE PINS (1-2) AND (3-6) ON CABLE SIDE
4. TURNS RATIO: (100%) TEST AT 100 KHZ, 100 mV
 PCB PINS (1-2) / CABLE PINS (1-2) = 1.00 ±2%
 PCB PINS (3-6) / CABLE PINS (3-6) = 1.00 ±2%



INSERTION LOSS TEST CIRCUIT
FIGURE 7



5. INSERTION LOSS: - (100%) FIGURE 7
 CALIBRATE THE NETWORK ANALYZER IN THE S21 MODE BY SHORTING (1-1) AND SHORT (2-2) - DO A THRU CALIBRATION. MEASURE THE INSERTION LOSS BETWEEN 100 KHZ AND 200 MHZ. THE ATTENUATION SHALL BE WITHIN THE ATTENUATION SHALL BE WITHIN THE FOLLOWING LIMITS ON BOTH CHANNELS.

| RECEIVE | |
|-----------|-------------------|
| FREQUENCY | ATTENUATION (S21) |
| 1 MHZ | -1.0 dB MAX |
| 10 MHZ | -1.0 dB MAX |
| 30 MHZ | -1.0 dB MAX |
| 65 MHZ | -1.0 dB MAX. |

| TRANSMIT | |
|-----------|-------------------|
| FREQUENCY | ATTENUATION (S21) |
| 1 MHZ | -1.0 dB MAX |
| 10 MHZ | -1.0 dB MAX |
| 30 MHZ | -1.0 dB MAX |
| 65 MHZ | -1.0 dB MAX. |

6. POLARITY: (100%)
 CALIBRATE THE SAME AS IN INSERTION LOSS USING FIGURE 7. PHASE SHALL BE NEGATIVE AND NEAR 0° AT 5 MHZ AND APPROACH -90° AT 200 MHZ. REVERSED POLARITY IS INDICATED BY +90° PHASE AT 5 MHZ.

UNLESS OTHERWISE SPECIFIED, ALL DIMENSIONS ARE IN INCHES FRACTIONAL ANGLES
 .XX ±.01 ± 1°
 .XXX ±.005
 DO NOT SCALE DRAWING

SIZE PAGE CODE
B01961
 SCALE NONE

DATE INCL
 125-J8064-6

REV
 18
 SHEET 6 OF 8

NOTICE: THE INFORMATION AND DESIGN CONTAINED HEREIN IS THE PROPERTY OF PULSE WHO RESERVES ALL RIGHTS THEREOF.

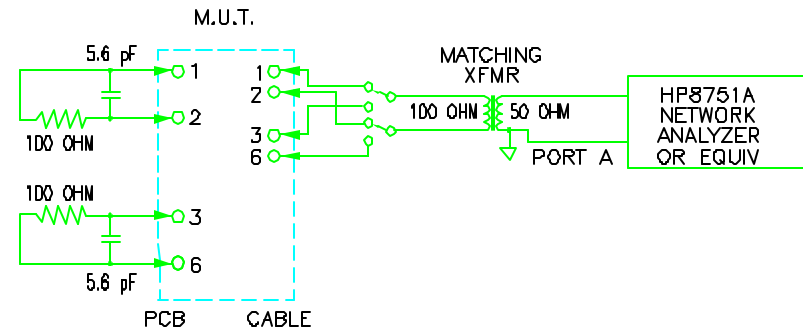
TEST NOTES: (CONTINUED)

7. RETURN LOSS: (100%) FIGURE 8
 CALIBRATE THE NETWORK ANALYZER IN THE S11 MODE AND MEASURE THE RETURN LOSS OF BOTH CHANNELS. THE RETURN LOSS SHALL BE WITHIN THE FOLLOWING LIMITS.

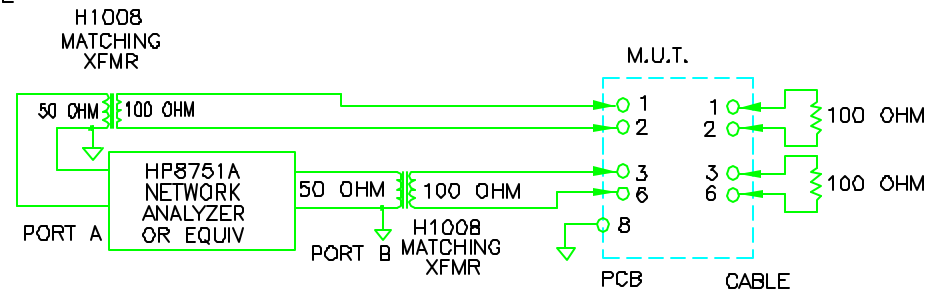
| FREQUENCY | TRANSMIT/RECEIVE (S11) |
|-----------|------------------------|
| 1 MHZ | -18 dB MIN |
| 10 MHZ | -18 dB MIN |
| 30 MHZ | -16 dB MIN |
| 60 MHZ | -12 dB MIN |
| 80 MHZ | -12 dB MIN |

8. CROSSTALK: (SAMPLE TEST) - FIGURE 9
 CALIBRATE THE NETWORK ANALYZER IN THE S21 MODE BY SHORTING (1-3) AND SHORTING (2-6). DO A THRU CALIBRATION. MEASURE THE CROSSTALK BETWEEN THE TWO CHANNELS OVER THE RANGE OF 1 MHZ TO 100 MHZ. THE CROSSTALK ATTENUATION SHALL BE WITHIN THE FOLLOWING LIMITS:

| FREQUENCY | ATTENUATION (S21) |
|-----------|-------------------|
| 1 MHZ | -40 dB MIN |
| 10 MHZ | -40 dB MIN |
| 32 MHZ | -35 dB MIN |
| 62 MHZ | -35 dB MIN |
| 100 MHZ | -30 dB MIN |



RETURN LOSS TEST CIRCUIT
 FIGURE 8

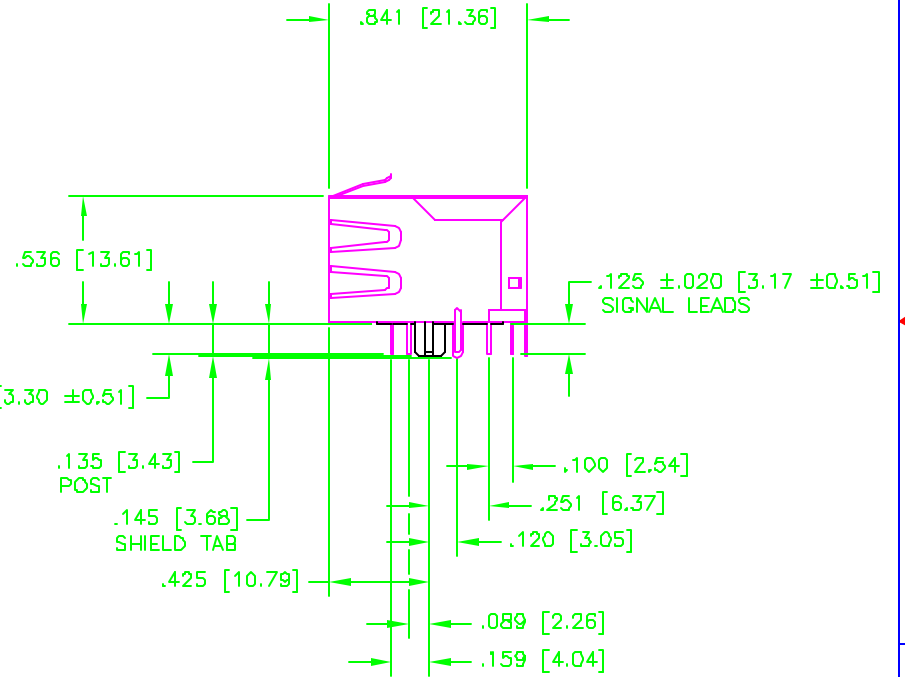
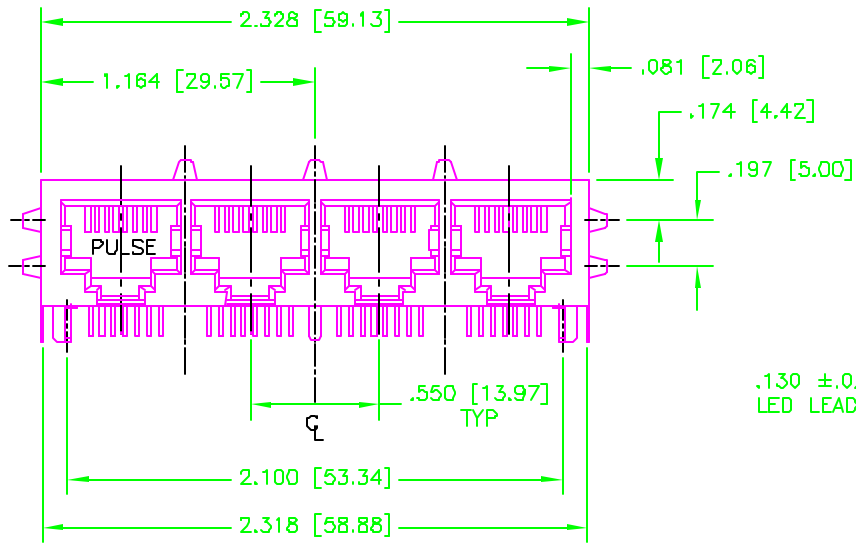


CROSSTALK
 FIGURE 9

UNLESS OTHERWISE SPECIFIED, ALL DIMENSIONS ARE IN INCHES TOLERANCES ARE:
 DECIMALS .XX ±.01 ±.1"
 .XXX ±.005
 DO NOT SCALE DRAWING

PS-2064.001

NOTICE: THE INFORMATION AND DESIGN CONTAINED HEREIN IS THE PROPERTY OF PULSE WHO RESERVES ALL RIGHTS THERETO.



UNLESS OTHERWISE SPECIFIED, ALL DIMENSIONS ARE IN INCHES TOLERANCES ARE:

DECIMALS ± .1*

XXX ±.01

XXX ±.005

DO NOT SCALE DRAWING

SIZE 4/1

DATE CODE B01961

CADD FILE

DWG. NO. PS-2064.001

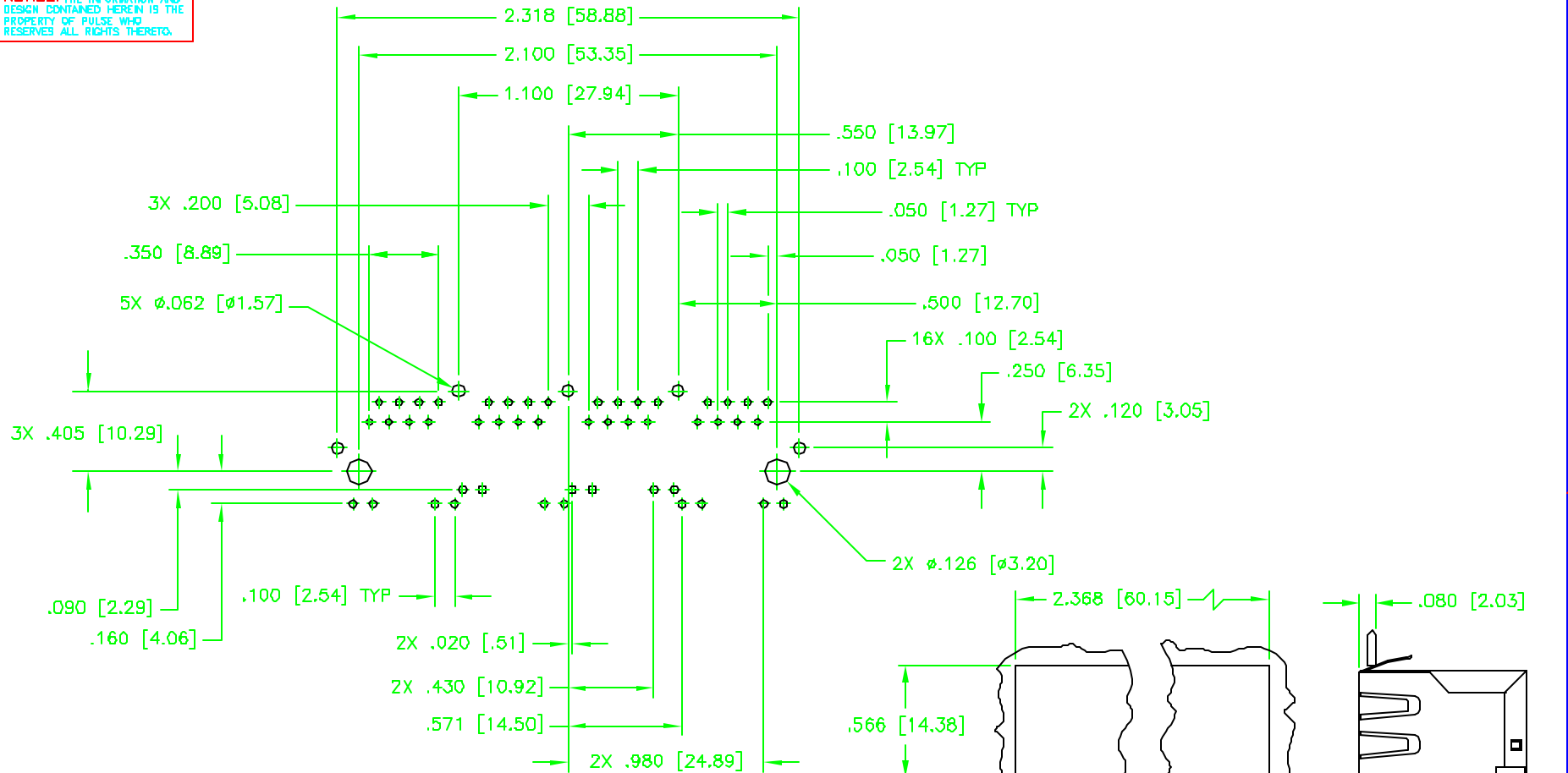
PS-2064.001-2

REV G

SHEET 2 OF 3

PS-2064.001

NOTICE: THE INFORMATION AND DESIGN CONTAINED HEREIN IS THE PROPERTY OF PULSE WHO RESERVES ALL RIGHTS THEREOF.



SUGGESTED PRINTED CIRCUIT BOARD LAYOUT
VIEWED FROM COMPONENT SIDE
UNLESS OTHERWISE SPECIFIED PCB DIMENSION ARE \pm .003

SUGGESTED PANEL CUTOUT

UNLESS OTHERWISE SPECIFIED ALL DIMENSIONS ARE IN INCHES

DECIMALS \pm .02
ANGLES \pm 1°

.XX \pm .02
.XXX \pm .010

DO NOT SCALE DRAWING

| | | |
|-------------|---------------|--------|
| SIZE | DWG. NO. | REV |
| 2/1 | B01961 | G |
| SCALE | DWG. FILE | SHEET |
| 2/1 | PS-2064.001-3 | 3 OF 3 |
| PS-2064.001 | | |