



Chipsmall Limited consists of a professional team with an average of over 10 year of expertise in the distribution of electronic components. Based in Hongkong, we have already established firm and mutual-benefit business relationships with customers from,Europe,America and south Asia,supplying obsolete and hard-to-find components to meet their specific needs.

With the principle of “Quality Parts,Customers Priority,Honest Operation,and Considerate Service”,our business mainly focus on the distribution of electronic components. Line cards we deal with include Microchip,ALPS,ROHM,Xilinx,Pulse,ON,Everlight and Freescale. Main products comprise IC,Modules,Potentiometer,IC Socket,Relay,Connector.Our parts cover such applications as commercial,industrial, and automotives areas.

We are looking forward to setting up business relationship with you and hope to provide you with the best service and solution. Let us make a better world for our industry!



## Contact us

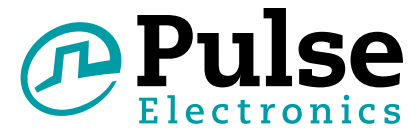
Tel: +86-755-8981 8866 Fax: +86-755-8427 6832

Email & Skype: info@chipsmall.com Web: www.chipsmall.com

Address: A1208, Overseas Decoration Building, #122 Zhenhua RD., Futian, Shenzhen, China



# PulseJack™ 1xN Tab-Down



## Description:

100 Base-TX (Fast Ethernet) RJ45 1xN Tab-DOWN with or without LEDs integrated magnetics connector (ICM) designed to support applications such as: SOHO (ADSL modems), LAN-on-Motherboard (LOM), Hub and Switches.



## Features and Benefits:

- Ⓜ RoHS peak wave solder temperature rating 260°C
- Ⓜ Suitable for CAT 5 & 6 Fast Ethernet Cable or better UTP
- Ⓜ Meets IEEE 802.3 specification
- Ⓜ 350µH minimum OCL with 8mA bias current
- Ⓜ High performance for maximum EMI suppression

### Electrical Specifications @ 25°C - Operating Temperature 0°C to +70°C

RoHS Compliant Part Number	Turns Ratio		Number of Ports	LEDs <sup>1</sup> L/D	Insertion Loss TX/RX (dB TYP)	Return Loss (dB TYP) 100Ω (± 15 Ω)				Crosstalk (dB TYP)			Common Mode Rejection (dB TYP)		Hipot (VDC MIN) @ 50/60 Hz 1 minute
	TX	RX				1-100 MHz	1-10 MHz	30 MHz	60-80 MHz	1-30 MHz	30-60 MHz	60-100 MHz	1-50 MHz	50-130 MHz	
J8064D628ANL	1CT:1CT	1CT:1CT	1x2	G/Y	-1.0	-20	-16	-12	-40	-35	-30	-30	-20	2250	
JX80-0019NL <sup>2</sup>	1CT:1CT	1CT:1CT	1x2	G/G	-1.0	-20	-16	-12	-40	-35	-30	-30	-20	2250	
J8064D648ANL	1CT:1CT	1CT:1CT	1x4	G/Y	-1.0	-20	-16	-12	-40	-35	-30	-30	-20	2250	
JX80-0022NL <sup>2</sup>	1CT:1CT	1CT:1CT	1x4	G/G	-1.0	-20	-16	-12	-40	-35	-30	-30	-20	2250	
J8064D668ANL	1CT:1CT	1CT:1CT	1x6	G/Y	-1.0	-20	-16	-12	-40	-35	-30	-30	-20	2250	
JX8064D668ANL <sup>2</sup>	1CT:1CT	1CT:1CT	1x6	G/Y	-1.0	-20	-16	-12	-40	-35	-30	-30	-20	2250	
J8064D688ANL	1CT:1CT	1CT:1CT	1x8	G/Y	-1.0	-20	-16	-12	-40	-35	-30	-30	-20	2250	
JX8064D688ANL <sup>2</sup>	1CT:1CT	1CT:1CT	1x8	G/Y	-1.0	-20	-16	-12	-40	-35	-30	-30	-20	2250	
J8064E62NL	1CT:1CT	1CT:1CT	1x2	None	-1.0	-20	-16	-12	-40	-35	-30	-30	-20	2250	
J8064E64NL	1CT:1CT	1CT:1CT	1x4	None	-1.0	-20	-16	-12	-40	-35	-30	-30w	-20	2250	
J8064E66NL	1CT:1CT	1CT:1CT	1x6	None	-1.0	-20	-16	-12	-40	-35	-30	-30	-20	2250	
J8064E68NL	1CT:1CT	1CT:1CT	1x8	None	-1.0	-20	-16	-12	-40	-35	-30	-30	-30	2250	

Notes: 1. LEDs Left/Right: G = green; Y = yellow 2. Operating temperature: -40°C to +85°C

### RJ45 Durability Test Rating

Part Number	Mating Force (MAX)	Unmating Force (MAX)	Durability	Plug to Jack Retention (MIN)
J80 Series	5 lbs./2.268 kgs.	5 lbs./2.268 kgs.	750 Insertions	20 lbs./9.072 kgs.

USA 858 674 8100

Germany 49 7032 7806 0

Singapore 65 6287 8998

Shanghai 86 21 62787060

China 86 755 33966678

Taiwan 886 3 4356768

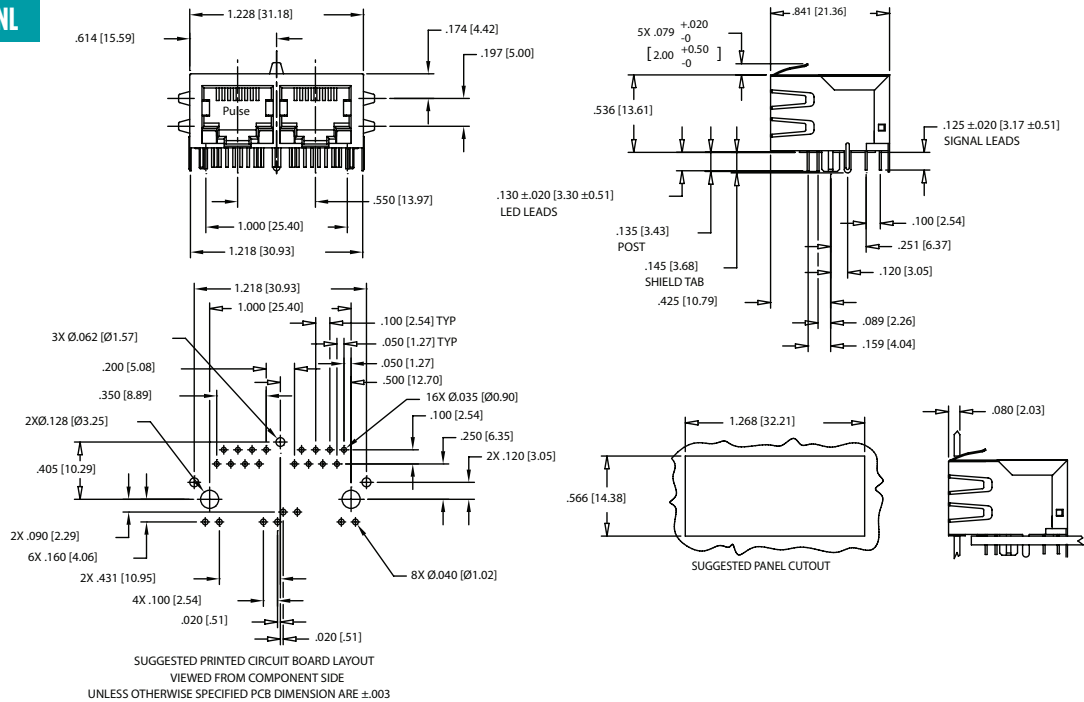
RJ45 Material Specification

Part Number	Shield		Contact			Housing		
	Material	Finish	Material	Plating Area	Solder Area	Material	Specification	MSL <sup>2</sup>
J80 Series	Brass	10-20μ inches thick Nickel over 10-20μ inches thick nickel	Phosphor Bronze	Nickel underplating and selective gold plating 30μ inches	Tin matte finish	Thermoplastic	UL 94 V-0	1

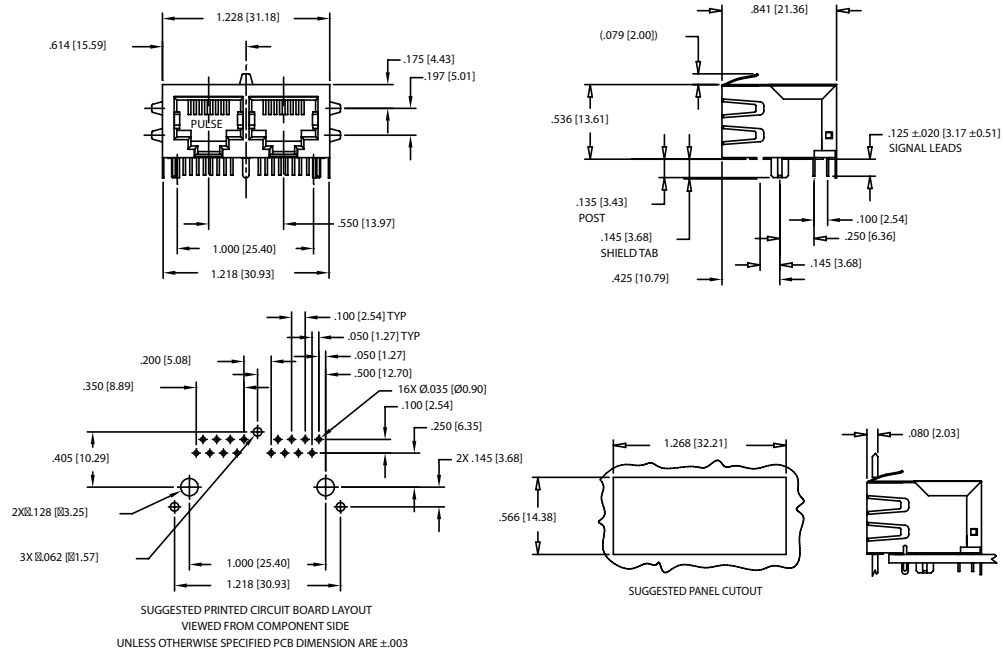
Notes: 1. Connector dimensions comply with FCC dimension requirements 2. MSL = Moisture Sensitivity Level rating from 1 to 5 (highest rating = 1, lowest rating = 5).

Mechanicals

J8064D628ANL, JX80-0019NL

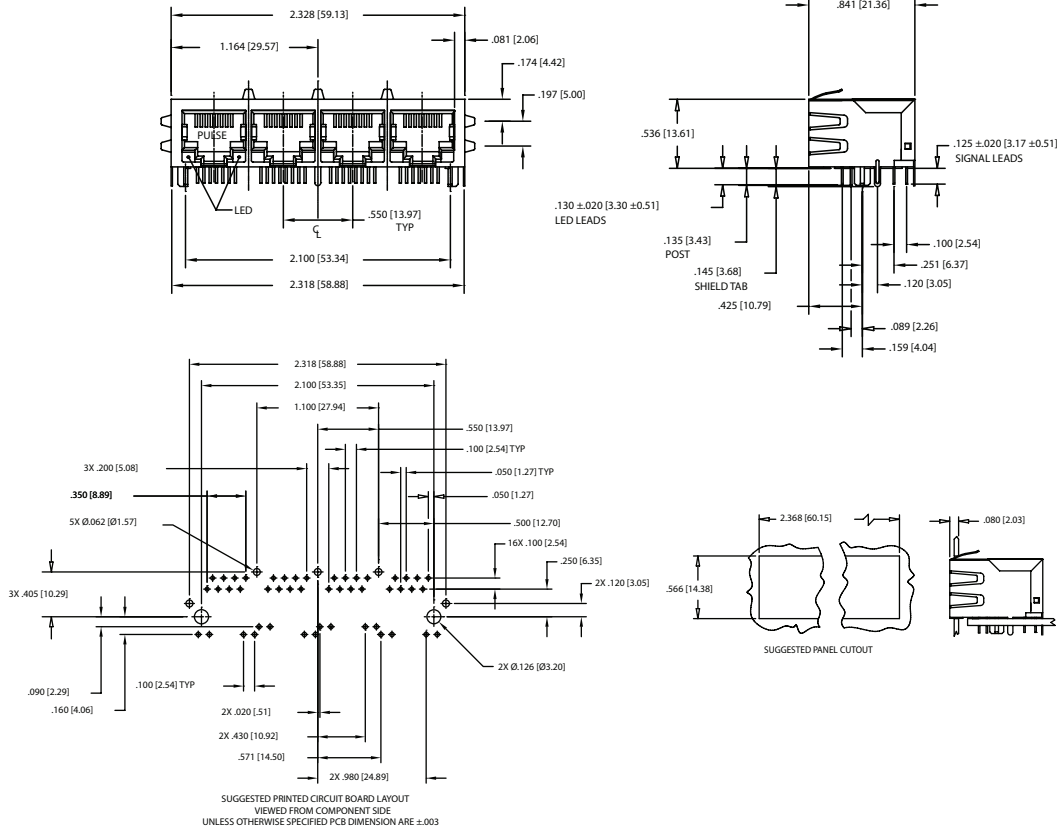


J8064E62NL

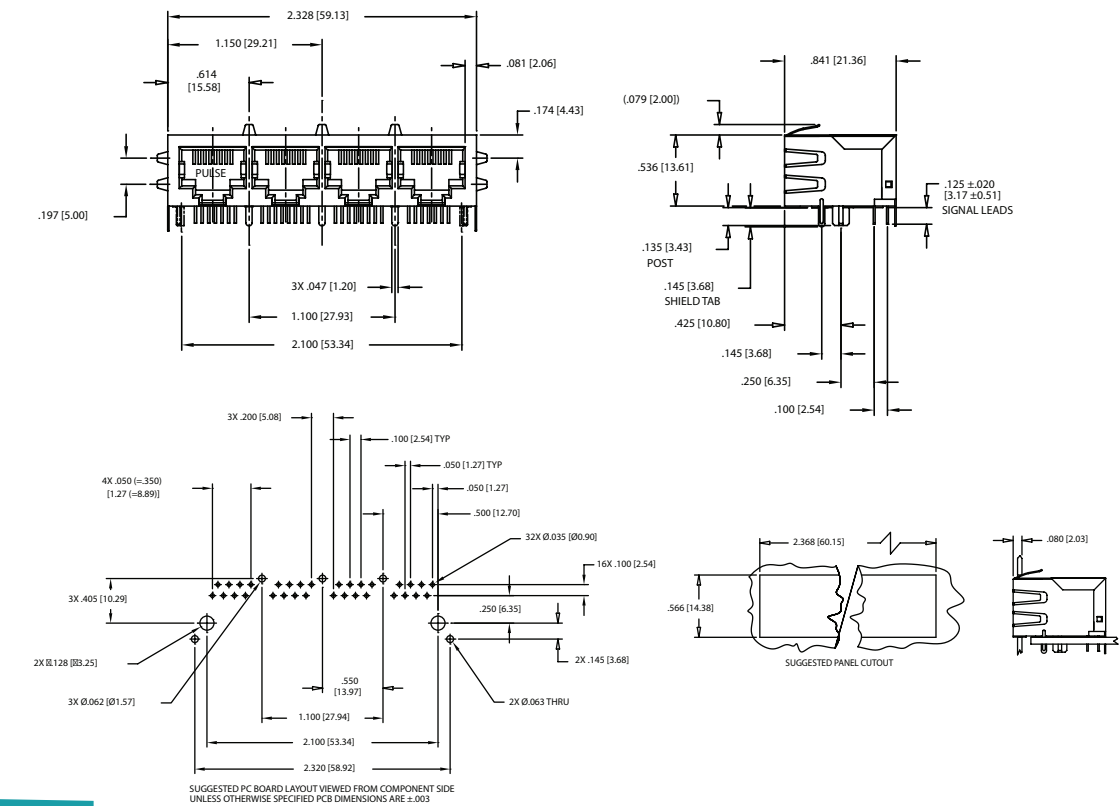


Mechanicals

J8064D648ANL  
JX80-002ZNL

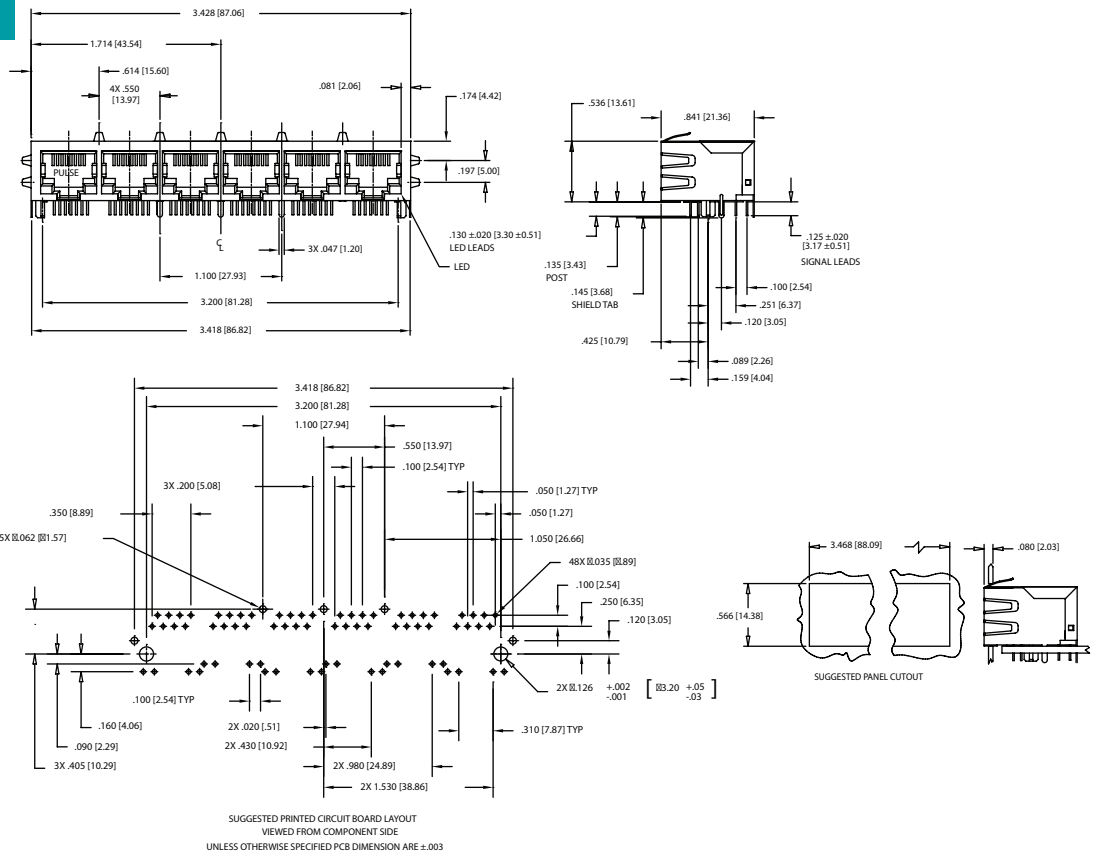


J8064E64NL

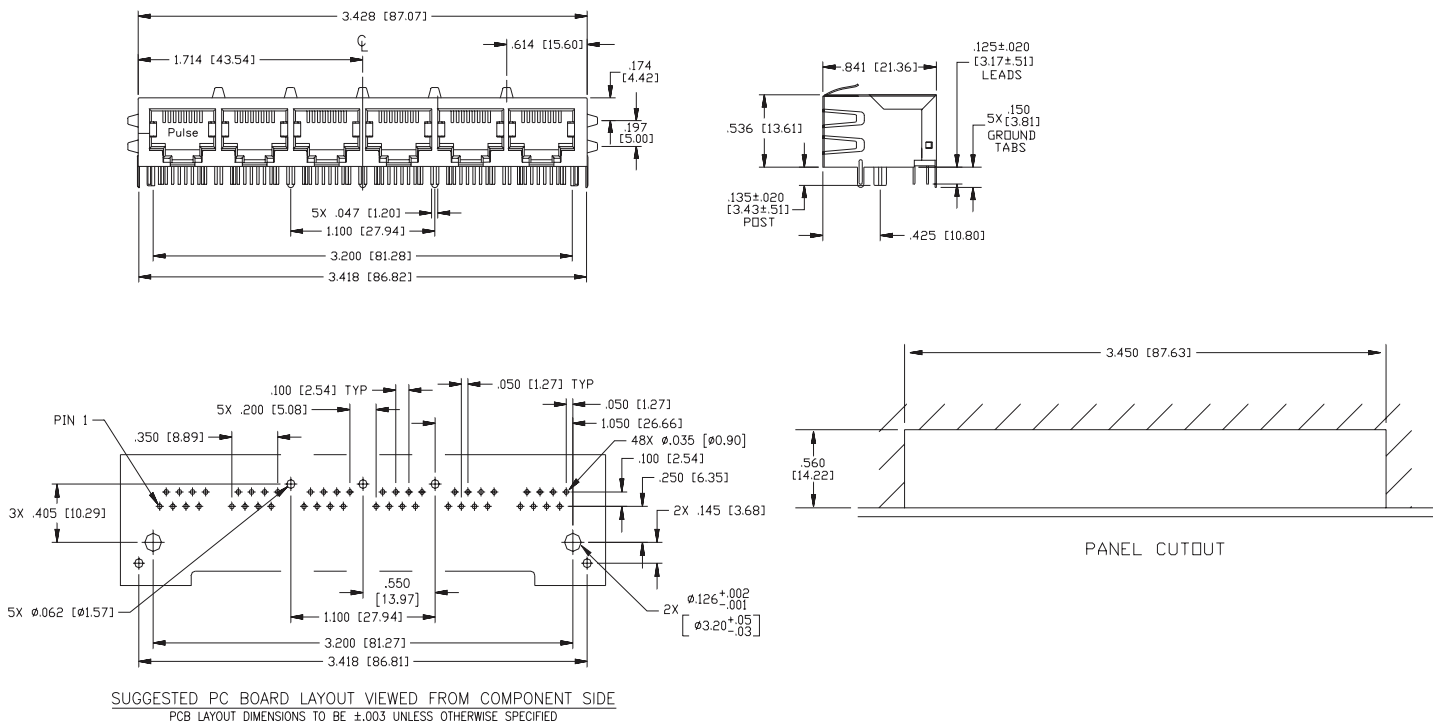


Mechanicals

J8064D668ANL, JX8064D668ANL

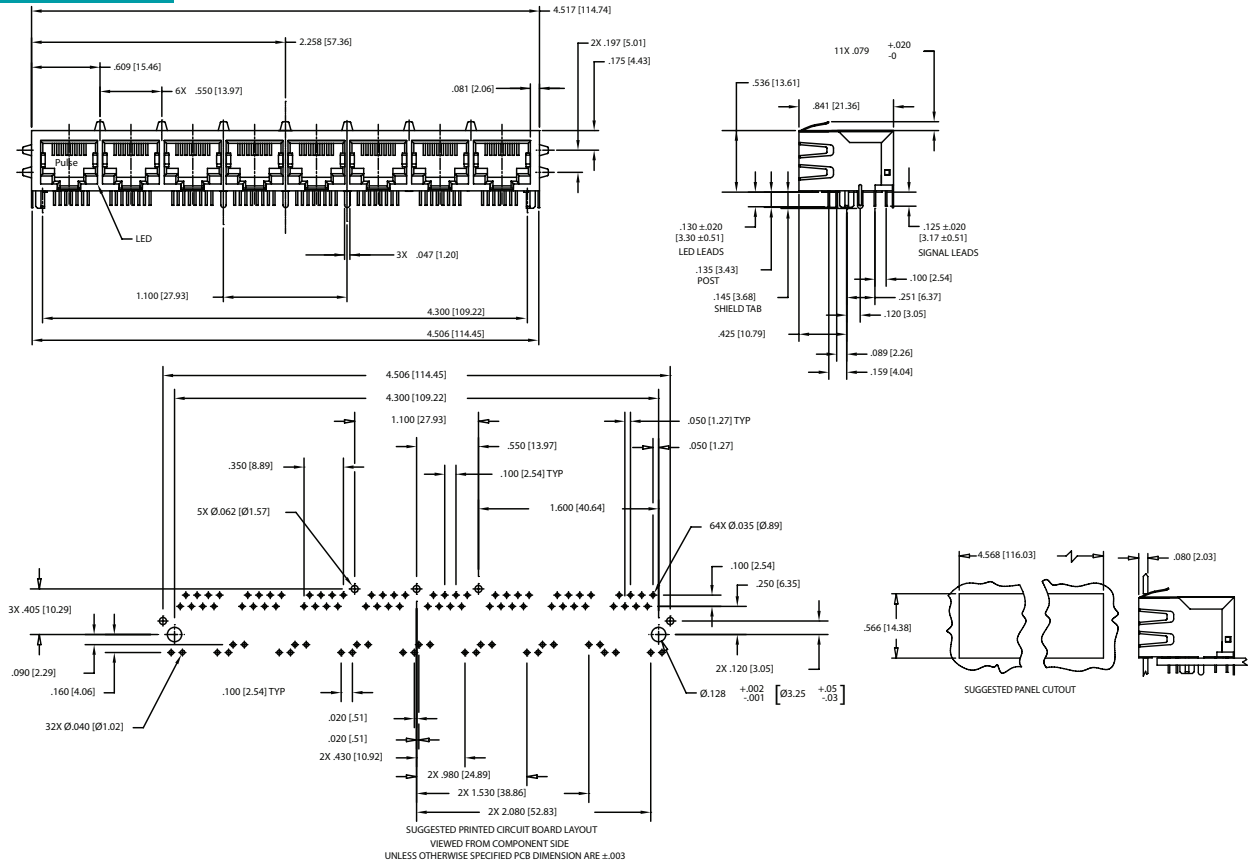


J8064E66NL

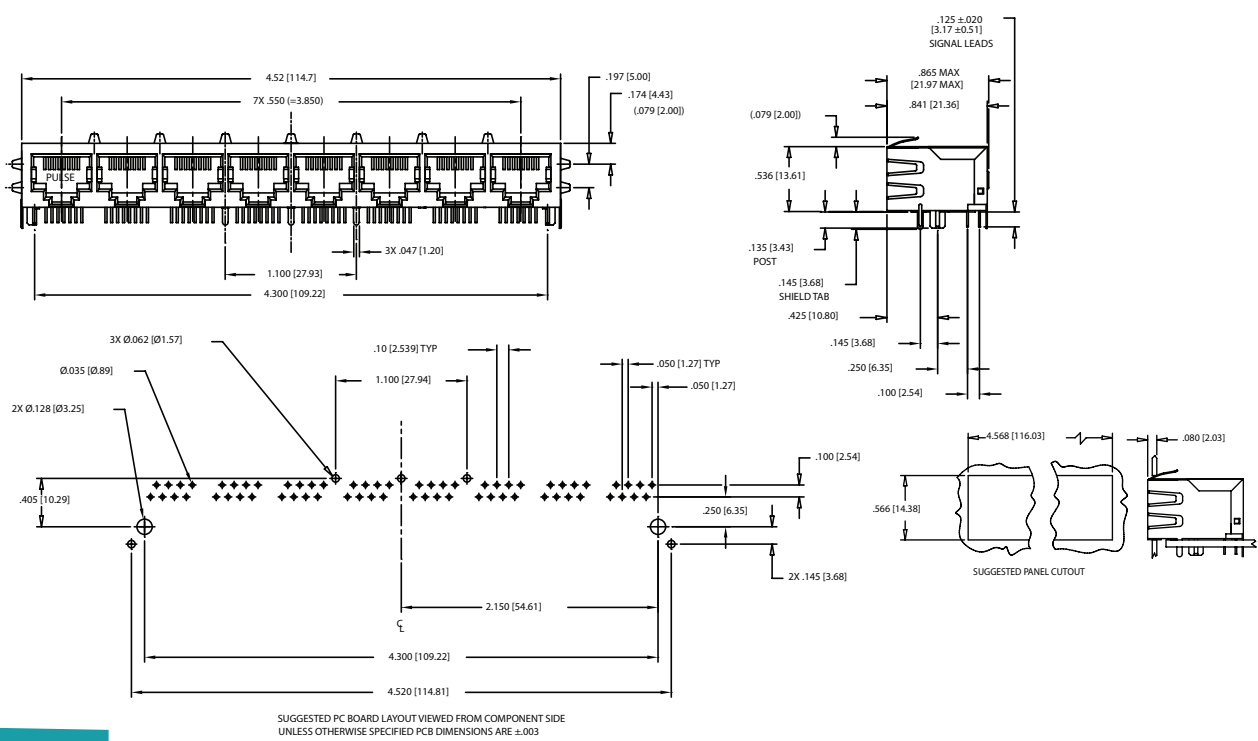


Mechanicals

J8064D688ANL, JX8064D688ANL



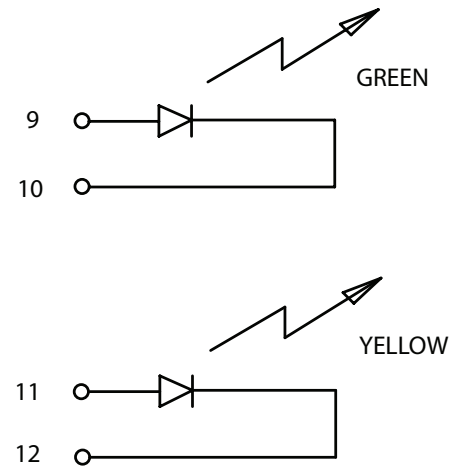
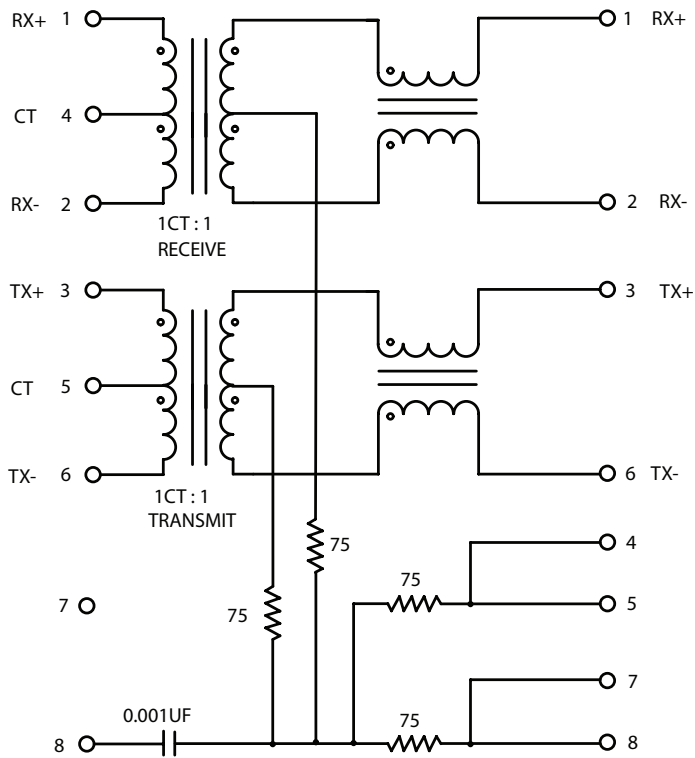
J8064E68NL



# PulseJack™

## 1xN Tab-Down

### Schematic for J8 and JX8 Series



NOTE: JX80-0019NL and JX80-0022NL are Gree/Green

Configuration	1x2	1X4	1X6	1X8
Part Number	J8064D628ANL J8064E62NL	J8064D648ANL J8064E64NL	J8064D668ANL J8064E66NL	J8064D688ANL J8064E68NL
Weight .....	10.9 grams	21.8 grams	32.7 grams	43.6 grams
Tray .....	45/Tray	15/Tray	15/Tray	10/Tray

### For More Information

**Pulse Worldwide Headquarters**  
12220 World Trade Drive  
San Diego, CA  
92128  
U.S.A.

Tel: 858 674 8100

**Pulse Europe**  
Einsteinstrasse 1  
D-71083 Herrenberg  
Germany

Tel: 49 7032 7806

**Pulse China Headquarters**  
B402, Shenzhen Academy of  
Aerospace Technol-  
ogy Bldg.  
10th Kejian Road  
High-Tech Zone  
Nanshan District  
Shenzhen, PR China  
518057

**Pulse North China**  
Room 2704/2705  
Super Ocean Finance  
Ctr.  
2067 Yan An Road  
West  
Shanghai 200336  
China

**Pulse South Asia**  
135 Joo Seng Road  
#03-02  
PM Industrial Bldg.  
Singapore 368363

Tel: 65 6287 8998  
Fax: 65 6287 8998

**Pulse North Asia**  
3F, No. 198  
Zhongyuan Road  
Zhongli City  
Taoyuan County 320  
Taiwan R. O. C.  
Tel: 886 3 4356768  
Fax: 886 3 4356823  
(Pulse)

Performance warranty of products offered on this data sheet is limited to the parameters specified. Data is subject to change without notice. Other brand and product names mentioned herein may be trademarks or registered trademarks of their respective owners. © Copyright, 2016. Pulse Electronics, Inc. All rights reserved.