



Chipsmall Limited consists of a professional team with an average of over 10 year of expertise in the distribution of electronic components. Based in Hongkong, we have already established firm and mutual-benefit business relationships with customers from,Europe,America and south Asia,supplying obsolete and hard-to-find components to meet their specific needs.

With the principle of "Quality Parts,Customers Priority,Honest Operation,and Considerate Service",our business mainly focus on the distribution of electronic components. Line cards we deal with include Microchip,ALPS,ROHM,Xilinx,Pulse,ON,Everlight and Freescale. Main products comprise IC,Modules,Potentiometer,IC Socket,Relay,Connector.Our parts cover such applications as commercial,industrial, and automotives areas.

We are looking forward to setting up business relationship with you and hope to provide you with the best service and solution. Let us make a better world for our industry!



## Contact us

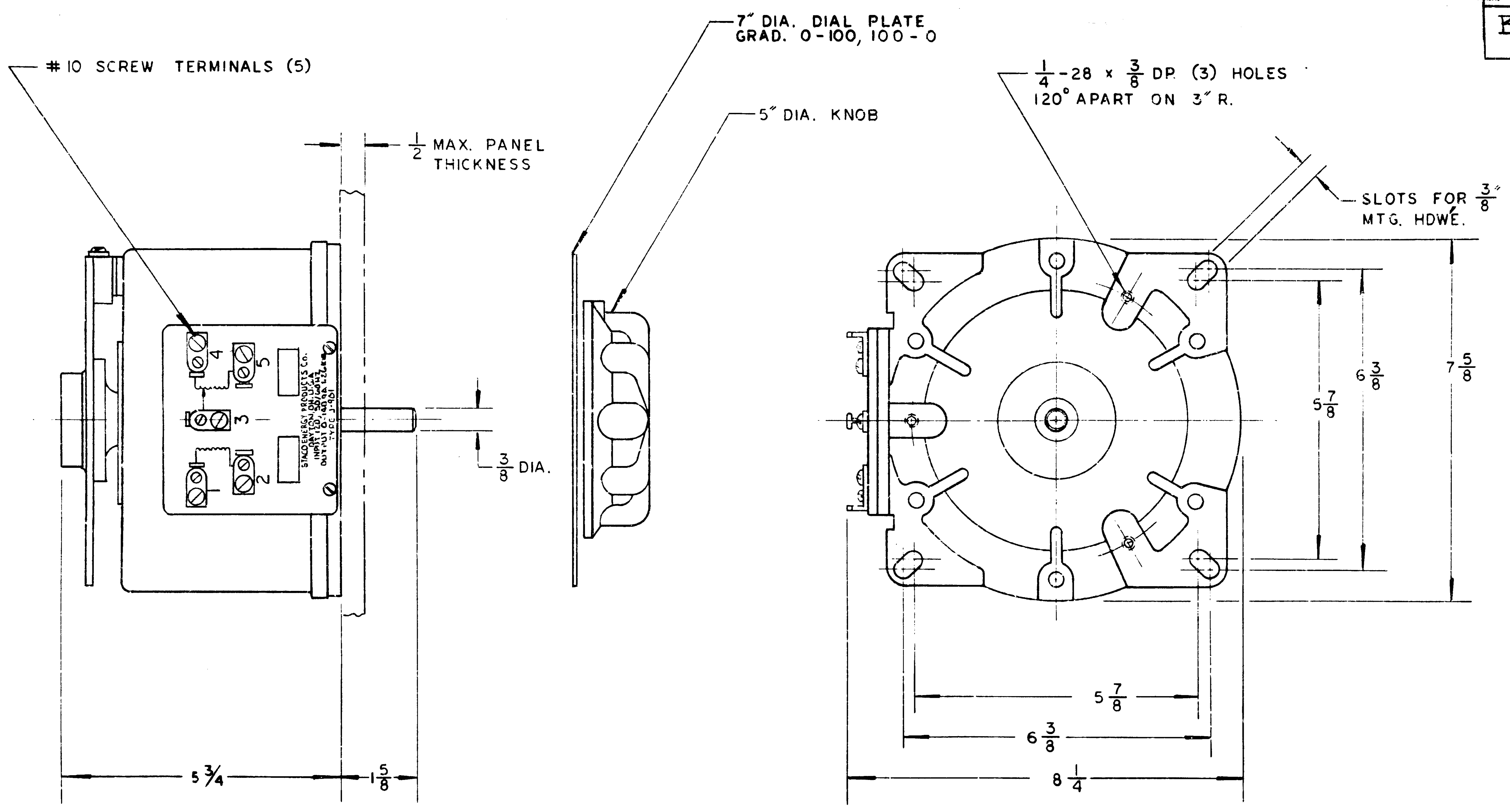
Tel: +86-755-8981 8866 Fax: +86-755-8427 6832

Email & Skype: info@chipsmall.com Web: www.chipsmall.com

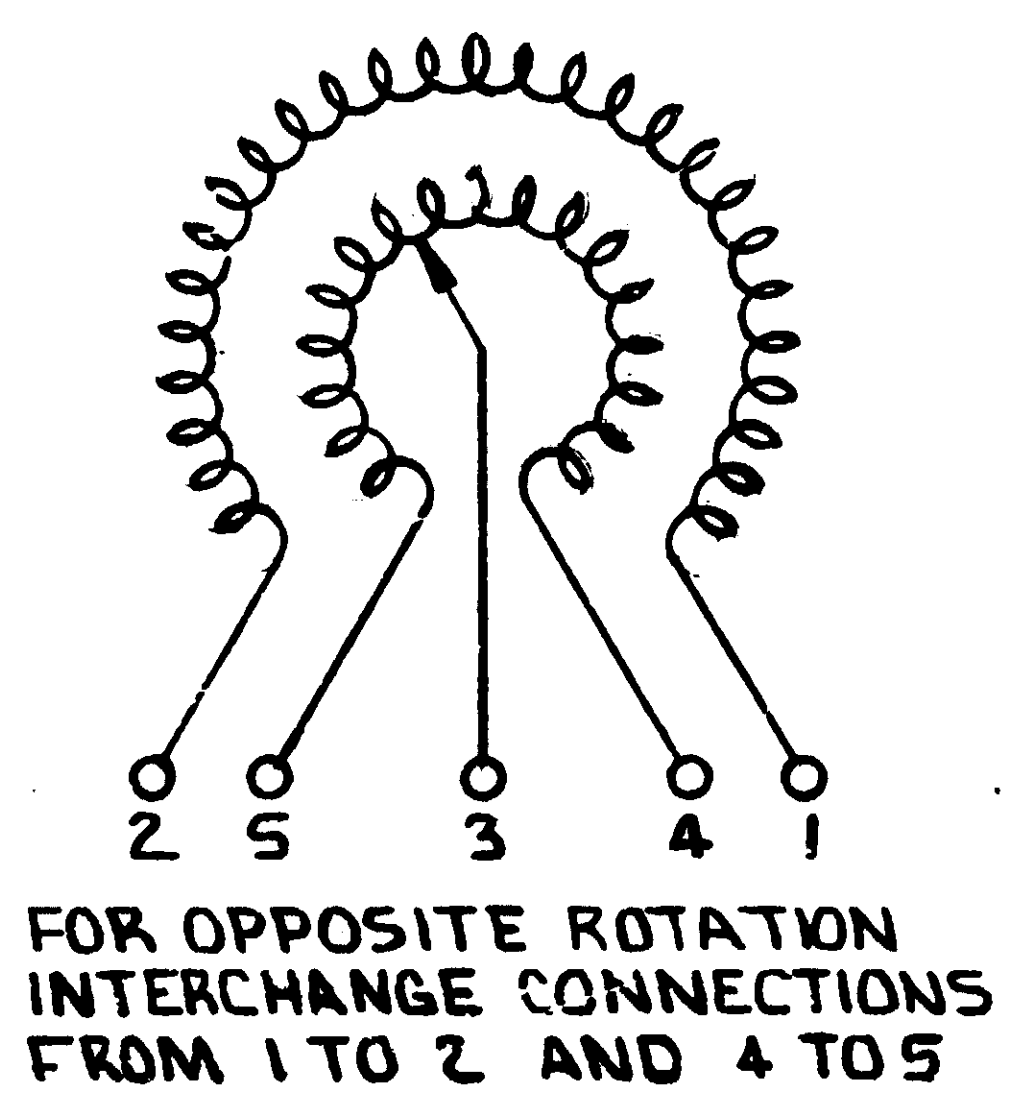
Address: A1208, Overseas Decoration Building, #122 Zhenhua RD., Futian, Shenzhen, China



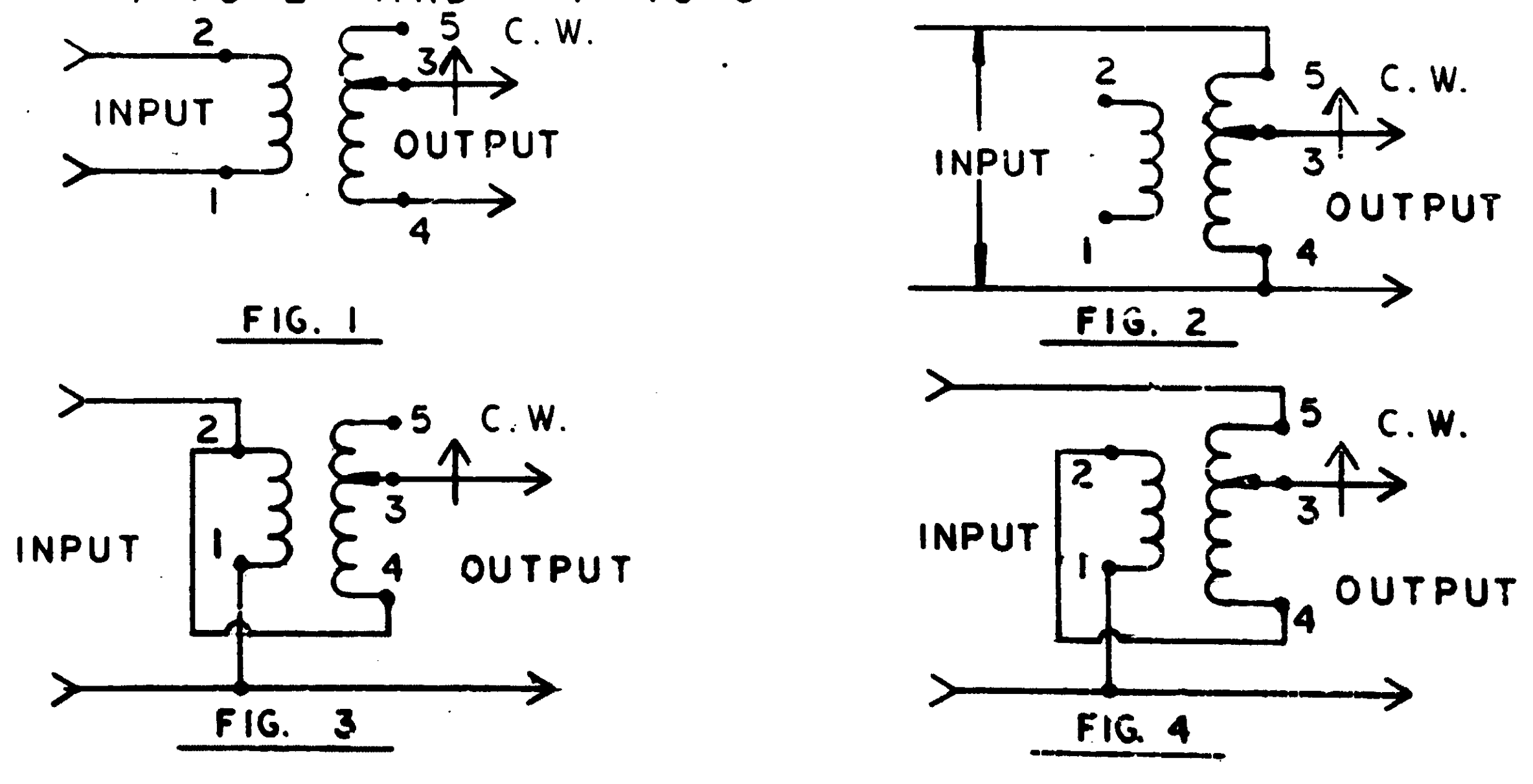
REVISIONS			
SYM.	E. C. N.	DATE	APPROVAL
A	10901	25 SEP 73	[Signature]
REVISED DIAGRAMS			
B	16180	13 JAN 84	[Signature]
REVISED TERMINAL BD. REVISED SCHEMATIC			



**SCHEMATIC**



ROTATION FOR CONNECTION  
SHOWN IS C.W. AS VIEWED FROM THE ROTOR END  
TO REVERSE ROTATION INTER CHANGE CONNECTIONS  
1 TO 2 AND 4 TO 5



SERIES	240	50/60	110-240	20	4.8	25 LBS.	FIG. 4
	VOLTAGE DOUBLER	120	50/60	120-260	20.0-9		
NON-ISOLATED	120	50/60	0-120	25	3.0		FIG. 2
ISOLATED	120	50/60	0-140	9	1.26		FIG. 1
CONNECTION	VOLTS	HZ	VOLTS	AMPS	MAX. KVA	NET WEIGHT	CIRCUIT DIAGRAMS
	INPUT		OUTPUT				

SPECIFICATIONS

<small>UNLESS OTHERWISE SPECIFIED</small> <small>ALL DIMENSIONS IN INCHES</small> <small>TOLERANCE ON</small> <small>FRACTIONS ±1/32</small> <small>DECIMALS ±.005</small> <small>ANGLES ±1°</small> <small>MATERIAL</small> <small>FINISH</small>	<small>DO NOT SCALE DRAWING</small> <small>DRAWNMAN</small> <b>SCALE</b> <small>CHECKER</small>	<small>DATE</small> <b>15972</b>	<small>TITLE</small> <b>SPECIFICATION CONTROL</b> <b>DRAWING</b> <b>TYPE J 901</b> <b>ISOLATED</b> <b>VARIABLE TRANSFORMER</b> <small>SCALE 1:2</small> <small>WEIGHT</small>	 <small>DAYTON, OHIO</small> <small>DRAWING NUMBER</small> <b>031-8882</b>
	<small>APPROVAL</small>  			

DWG. NO. 031-8882