



Chipsmall Limited consists of a professional team with an average of over 10 year of expertise in the distribution of electronic components. Based in Hongkong, we have already established firm and mutual-benefit business relationships with customers from,Europe,America and south Asia,supplying obsolete and hard-to-find components to meet their specific needs.

With the principle of “Quality Parts,Customers Priority,Honest Operation,and Considerate Service”,our business mainly focus on the distribution of electronic components. Line cards we deal with include Microchip,ALPS,ROHM,Xilinx,Pulse,ON,Everlight and Freescale. Main products comprise IC,Modules,Potentiometer,IC Socket,Relay,Connector.Our parts cover such applications as commercial,industrial, and automotives areas.

We are looking forward to setting up business relationship with you and hope to provide you with the best service and solution. Let us make a better world for our industry!



## Contact us

Tel: +86-755-8981 8866 Fax: +86-755-8427 6832

Email & Skype: info@chipsmall.com Web: www.chipsmall.com

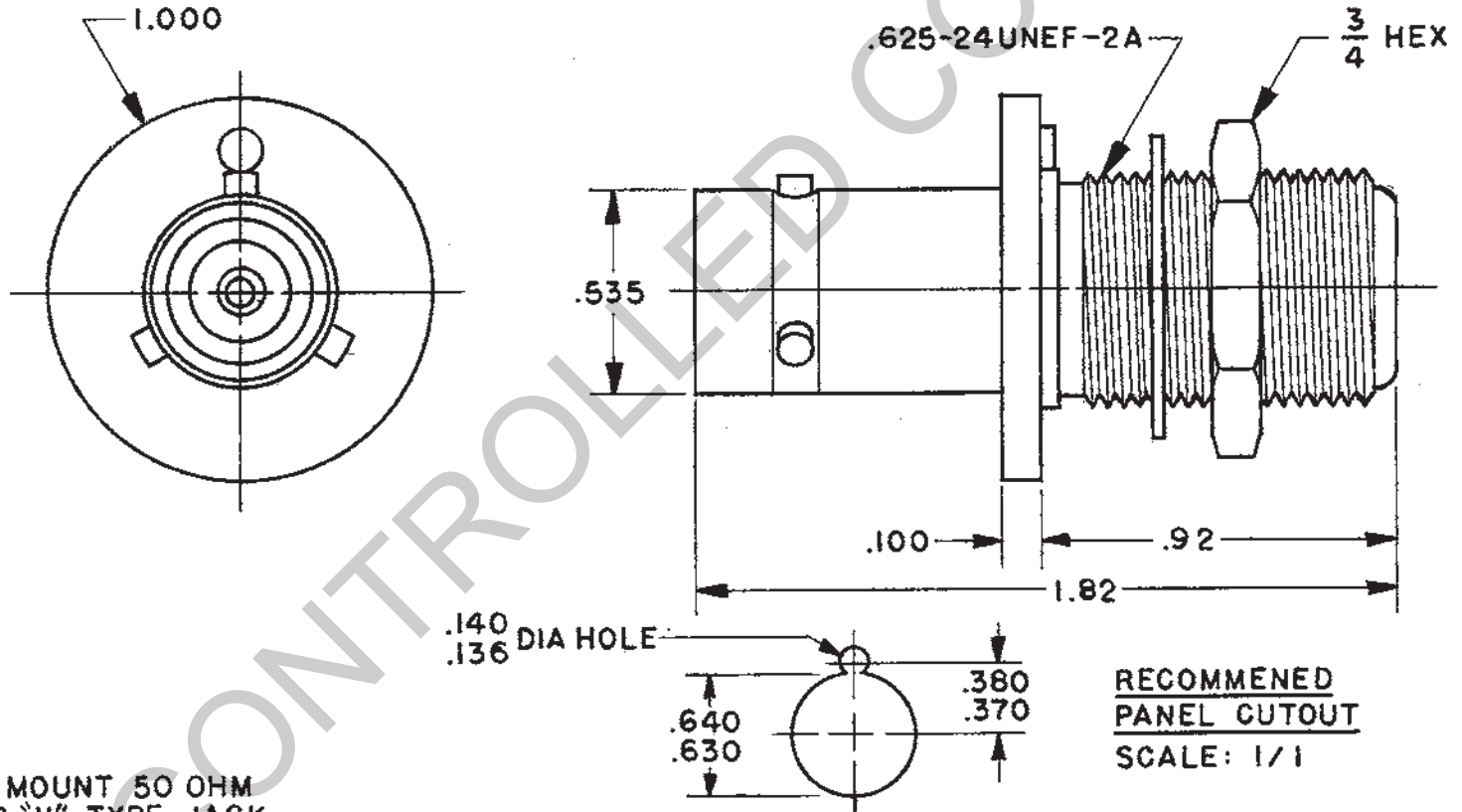
Address: A1208, Overseas Decoration Building, #122 Zhenhua RD., Futian, Shenzhen, China



DATA CONTAINED IN THIS DOCUMENT IS PROPRIETARY TO TROMPETER ELECTRONICS INC. AND SHALL NOT BE DISCLOSED, COPIED OR USED FOR PROCUREMENT OR MANUFACTURE WITHOUT EXPRESS WRITTEN PERMISSION.


REVISIONS			1000-0028 SH 1		
REV	EO	DESCRIPTION	DWN	APPROVED	DATE
B	5382	REV E REDWN	RJS	<i>TW</i>	5-10-82
C	7203	ADDED DIMENSIONAL TOLS	CKH	<i>CKH</i>	6-20-86

INCH	MM
.100	2.54
.136	3.45
.140	3.56
.312	7.92
.370	9.40
.380	9.65
.535	13.59
.630	16.00
.640	16.26
.920	23.37
1.000	25.40
1.820	46.23



RECOMMENED  
PANEL CUTOUT  
SCALE: 1/1

4. FEMALE BULKHEAD MOUNT 50 OHM FEEDTHRU ADAPTER "N" TYPE JACK TO PATCH JACK
3. MAX PANEL THK .312
2. FINISH: TFS-1A (NICKEL)
1. ALL DIM ARE REF IN INCHES

QTY	DESCRIPTION		PART NUMBER	ITEM
	TOL UNLESS SPECIFIED .XX ± .03 .XXX ± .005 .XXXX ± ANGLES ±		J94	
				
DWN	RJS	4-1-82	MATERIAL	CODE IDENT
CHK	<i>TW</i>	4-28-82	—	14949
ENGR				DRAWING NO.
				1000-0028
				REV
				C
NEXT ASSY	APPR	<i>CKH</i> 5-10-82	SCALE 2/1	DATE 1-13-72
				SHEET 1 OF 2