



Chipsmall Limited consists of a professional team with an average of over 10 year of expertise in the distribution of electronic components. Based in Hongkong, we have already established firm and mutual-benefit business relationships with customers from,Europe,America and south Asia,supplying obsolete and hard-to-find components to meet their specific needs.

With the principle of “Quality Parts,Customers Priority,Honest Operation,and Considerate Service”,our business mainly focus on the distribution of electronic components. Line cards we deal with include Microchip,ALPS,ROHM,Xilinx,Pulse,ON,Everlight and Freescale. Main products comprise IC,Modules,Potentiometer,IC Socket,Relay,Connector.Our parts cover such applications as commercial,industrial, and automotives areas.

We are looking forward to setting up business relationship with you and hope to provide you with the best service and solution. Let us make a better world for our industry!



Contact us

Tel: +86-755-8981 8866 Fax: +86-755-8427 6832

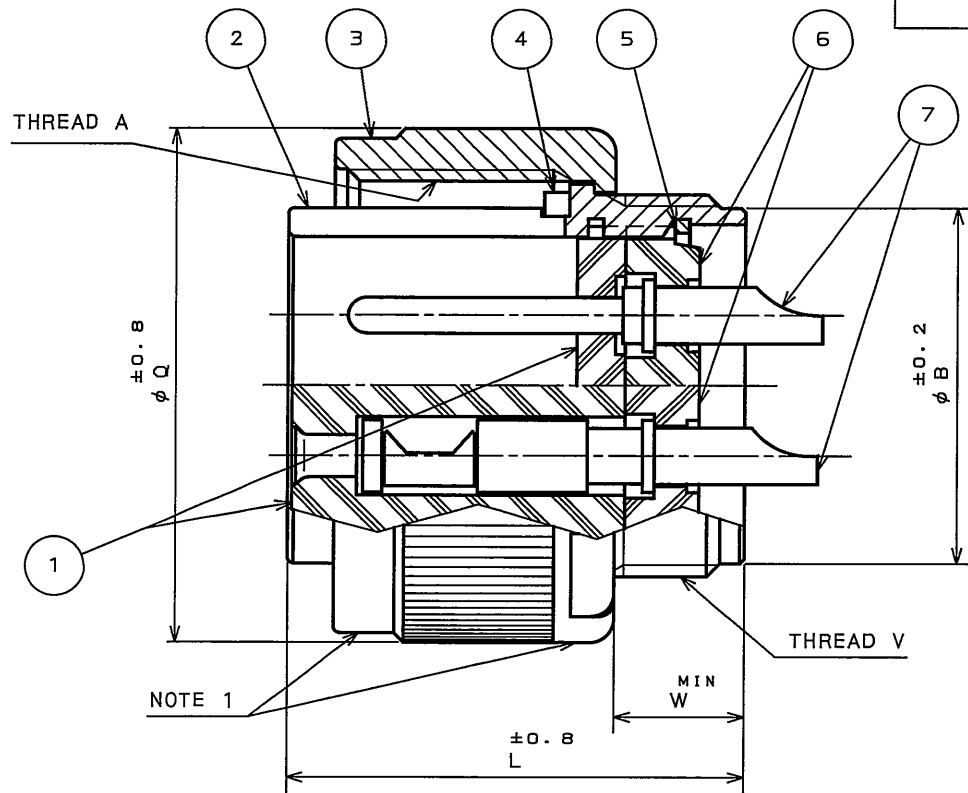
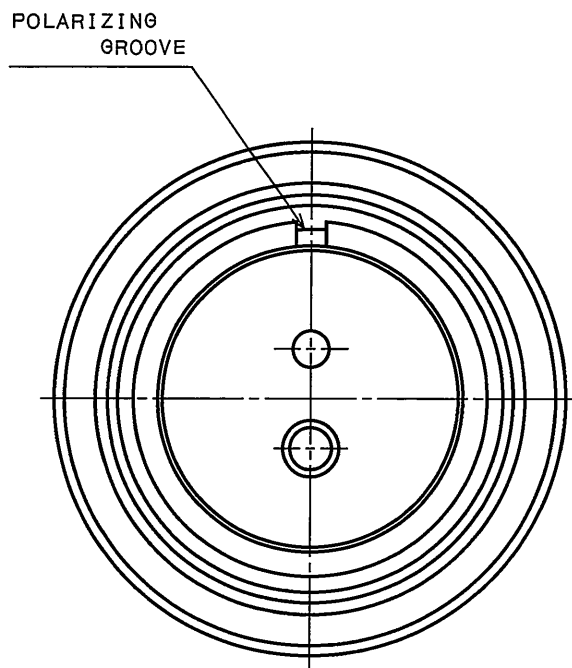
Email & Skype: info@chipsmall.com Web: www.chipsmall.com

Address: A1208, Overseas Decoration Building, #122 Zhenhua RD., Futian, Shenzhen, China



SJ105974
(DRAWING NO.)

版数 REV.	年月日 DATE	DCN NO.	変更内容 DESCRIPTION	製図 DR.	担当 CHK.	査閲 APPD.	承認 APPD.
2	22.May.2006	060183	注記変更		N.SASANO	E.Matsumoto	A. Onogawa



DISIGNATION

命名法
JA06A-**-**-**J1-**-R

シリーズ名 SERIES
06:プラグ
06:PLUG
A:防水構造
A:CLASS
シェルサイズ SHELL SIZE
インサート配列名 (NOTE 2)
CONTACT ARRANGEMENT
P:半田用ピンコンタクト
S:半田用ソケットコンタクト
P:PIN CONTACT
S:SOCKET CONTACT

SUFFIX 特殊記号
外殻色相 無し:OD色
(A72):黒色
SHELL COLOR
OMIT:OLIVEDRAB
(A72):BLACK
識別番号
MODIFICATION NUMBER
インサート回転位置:W、X、Y、Z
無し:標準位置
ALTERNATE INSERT POSITION
:W、X、Y、Z
OMIT:NORMAL

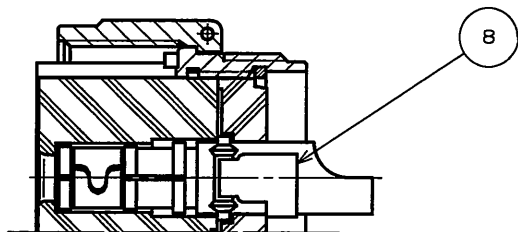
SPECIFICATION

仕様
DIELECTRIC WITHSTANDING VOLTAGE: SEE INDIVIDUAL DRAWINGS OF CONTACT ARRANGEMENT
INSULATION RESISTANCE: 5000MΩ MIN. (AT D. C500V)
WATERPROOF: A DEPTH OF 1m IN WATER FOR 24HOURS

耐電圧: インサート配列個別製品図参照
絶縁抵抗: 5000MΩ以上(D. C500V)
防水性: 水中1m 24時間 (コンジット接続状態にて)

A CASE OF THE INSERT FOR #4-CONTACT (SCALE 1:1)
(THIS DRAWING SHOWS A CASE OF SOCKET INSERT.)

#4コンタクト用インサートの場合
(図例はソケットコンタクトの場合を示す)



NOTE 1. COMPANY LOGO "JAE" AND PART NUMBER APPEAR IN THE AREA SHOWN. HOWEVER, THE SUFFIX "-R" SHALL NOT BE MARKED.
NOTE 2. AS THE CONTACT ARRANGEMENT, SEE INDIVIDUAL DRAWINGS OF CONTACT ARRANGEMENT. (THEY ARE THE SAME AS THOSE FOR MS-A/B.)

- 図示の位置に社名及び品名を表示する。但し、品名末尾の"-R"は表示しない。
- インサート配列は個別製品図面を参照のこと。(SJ100900参照)

SHELL SIZE	THREAD A	φB±0.2	L±0.8	φQ±0.8	THREAD V	W MIN.
10sL	5/8-24UNEF-2B	12.5	23.6	22	9/16-24UNEF-2A	6
14	7/8-20UNEF-2B	17	24.2	28.7	3/4-20UNEF-2A	6.7
18	1 1/8-18UNEF-2B	23.5	30.4	34.1	1-20UNEF-2A	7.4
20	1 1/4-18UNEF-2B	26.9	31.5	37.3	1 1/8-18UNEF-2A	8.4
22	1 3/8-18UNEF-2B	29.6	31.5	40.5	1 1/4-18UNEF-2A	8.4
24	1 1/2-18UNEF-2B	32.8	35	43.7	1 3/8-18UNEF-2A	11
28	1 3/4-18UNS-2B	39.3	35	50	1 5/8-18UNEF-2A	10.5
32	2-18UNS-2B	45.4	35.8	56.4	1 7/8-16UN-2A	11

符号 NO.	名称 DESCRIPTION	個数 QTY.	材料 MATERIAL	仕上 FINISH	備考 REMARKS
8	CLIP	-	COPPER ALLOY	SILVER PLATING	USED ONLY FOR #4-CONTACT
7	CONTACT	-	COPPER ALLOY	SILVER PLATING	
6	REAR INSULATOR	1	SYNTHETIC RESIN	NONE	
5	RETAINING RING	1	COPPER ALLOY	ZINC PLATING	COLOR:BLACK SYSTEM INTERFERENCE COLOR
4	GASKET	1	SYNTHETIC RUBBER	NONE	
3	COUPLING NUT	1	ALUMINUM ALLOY	ZINC PLATING	COLOR:BLACK SYSTEM INTERFERENCE COLOR
2	BARREL	1	ALUMINUM ALLOY	ZINC PLATING	COLOR:BLACK SYSTEM INTERFERENCE COLOR
1	FRONT INSULATOR	1	SYNTHETIC RESIN	NONE	

仕様書 (SPECIFICATION) JA06S-1027 A030067
第1版 (ORIGINAL DATE) 16.Dec.2005
製図 DR. M.ABE
担当 CHK. M.NITTA
査閲 APPD. E.MATSUMOTO
承認 APPD. A.ONOGAWA

公差 (GENERAL TOLERANCE)
寸法 (DIMENSION) 角度 (ANGLES)
±0.8
× ±0.4
×× ±0.1
××× ±

第1版 (ORIGINAL DATE) 16.Dec.2005
製図 DR. M.ABE
担当 CHK. M.NITTA
査閲 APPD. E.MATSUMOTO
承認 APPD. A.ONOGAWA

尺度 (SCALE) シリーズ (SERIES) JA
名称 (TITLE) JA06A-**-**-**J1-**-R

日本航空電子工業株式会社
JAPAN AVIATION ELECTRONICS INDUSTRY, LTD.
図面番号 (DRAWING NO.) SJ105974
版数 (REV.) 2

DOF-0-212F(05.08)

