



Chipsmall Limited consists of a professional team with an average of over 10 year of expertise in the distribution of electronic components. Based in Hongkong, we have already established firm and mutual-benefit business relationships with customers from,Europe,America and south Asia,supplying obsolete and hard-to-find components to meet their specific needs.

With the principle of “Quality Parts,Customers Priority,Honest Operation,and Considerate Service”,our business mainly focus on the distribution of electronic components. Line cards we deal with include Microchip,ALPS,ROHM,Xilinx,Pulse,ON,Everlight and Freescale. Main products comprise IC,Modules,Potentiometer,IC Socket,Relay,Connector.Our parts cover such applications as commercial,industrial, and automotives areas.

We are looking forward to setting up business relationship with you and hope to provide you with the best service and solution. Let us make a better world for our industry!



Contact us

Tel: +86-755-8981 8866 Fax: +86-755-8427 6832

Email & Skype: info@chipsmall.com Web: www.chipsmall.com

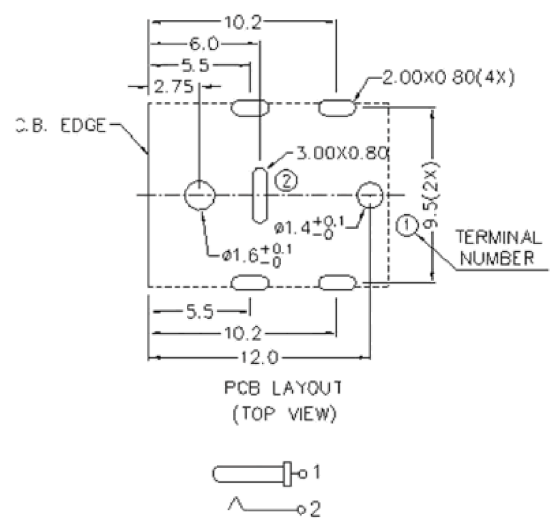
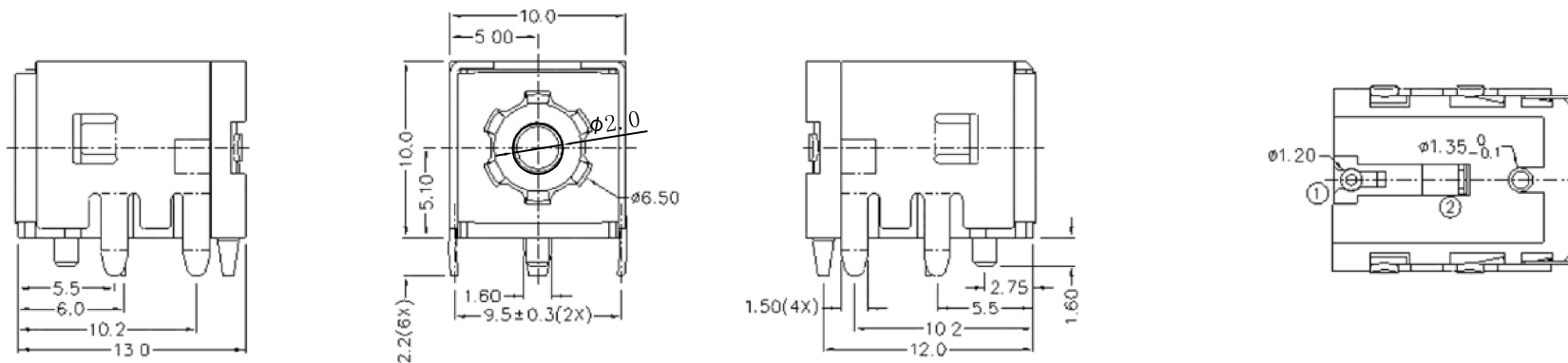
Address: A1208, Overseas Decoration Building, #122 Zhenhua RD., Futian, Shenzhen, China



	MATERIAL	PLATING
center pin	copper	nickel
metal case	copper	nickel
chip	copper	nickel
plastic	PPA	

所有权信息:
 本文件所有权属于 GLOBTEK 公司, 任何整体和部分的复制都是禁止和非法的, 除非取得 GLOBTEK 公司的授权允许。
 PROPRIETARY INFORMATION:
 PROPRIETARY OF GLOBTEK, INC. ANY REPRODUCTION, DISCLOSURE OR USE OF THIS DRAWING IN WHOLE OR PART, IS HEREBY PROHIBITED EXCEPT AS SPECIFIED IN WRITING BY GLOBTEK, INC.

REV	REVISION		
	DESCRIPTION	DATE	APPROVED
A	Initial Release, RFS. 27046	2018.03.26	JET



SPECIFICATIONS

parameter	conditions/description	min	typ	max	units
rated input voltage			50		Vdc
rated input current				10	A
contact resistancel	between terminal and mating plug			30	mΩ
	between terminal in a closed circuit			30	mΩ
insulation resistance	at 500 Vdc	100			MΩ
voltage withstand	at 50/60Hz for 1 minute 500 Vac			500	Vac
insertion/withdrawal force		0.3		3	kg
terminal strength	any direction for 15 seconds			200	gf
operating temperature		-25		85	°C
life			5000		cycles

Note: 1. When measured at a current of less than 100 mA/1 kHz

RELEASED
 By N.Frost at 8:58 am, Mar 28, 2018

尾注: Globtek 公司不对未经批准而擅自修改部件而影响的性能和负责, 终端用户必须参考 UL、CSA 或 EN 标准规定正确的安装。 Foot Note: Globtek Inc. will not be liable for the safety and performance of these parts if unauthorized access and repair occurs. End user should consult applicable UL, CSA or EN standards for proper installation instructions	禁用: Globtek 产品未授权不得用于医疗设备中以及危险环境核试验或者飞机上, 除非有 GLOBTEK 公司首席执行官的书面正式批准。 Limitation of Use: Globtek product are not authorized for use as mission critical components in life support, hazardous environment, nuclear or aircraft applications without prior written approval from the CEO of Globtek Inc.	文件内容未经允许不得更改 Contents of this document are subject to change without prior notice	Tolerance table			PART NO 零件号: /	MODEL NO 型号: /	GlobTek(Suzhou), Co.,Ltd Tel: +86-512-6279-0301 Fax: +86-512-6279-0355 Web: www.globtek.cn
			RANGE	GRADE 1	GRADE 2			
	0~4	+/-0.05	+/-0.1	+/-0.2	Double Checked By:		DWG TITLE: 5.5*2.1(10A) male DC jack P/N: JACK-C-PC-10A-RA(R)	
	4~16	+/-0.08	+/-0.15	+/-0.3	Approved By: Jet			
	16~64	+/-0.12	+/-0.25	+/-0.5			A ₁	
	64~250	+/-0.25	+/-0.4	+/-0.8			Rev. A	
							SHEET 1 OF 1	

