



Chipsmall Limited consists of a professional team with an average of over 10 year of expertise in the distribution of electronic components. Based in Hongkong, we have already established firm and mutual-benefit business relationships with customers from,Europe,America and south Asia,supplying obsolete and hard-to-find components to meet their specific needs.

With the principle of “Quality Parts,Customers Priority,Honest Operation,and Considerate Service”,our business mainly focus on the distribution of electronic components. Line cards we deal with include Microchip,ALPS,ROHM,Xilinx,Pulse,ON,Everlight and Freescale. Main products comprise IC,Modules,Potentiometer,IC Socket,Relay,Connector.Our parts cover such applications as commercial,industrial, and automotives areas.

We are looking forward to setting up business relationship with you and hope to provide you with the best service and solution. Let us make a better world for our industry!



## Contact us

Tel: +86-755-8981 8866 Fax: +86-755-8427 6832

Email & Skype: info@chipsmall.com Web: www.chipsmall.com

Address: A1208, Overseas Decoration Building, #122 Zhenhua RD., Futian, Shenzhen, China





## PNP Darlington Power Silicon Transistor

### Qualified per MIL-PRF-19500/540

*Qualified Levels:  
JAN, JANTX, and  
JANTXV*

#### DESCRIPTION

This high speed PNP transistor is rated at 8 amps and is military qualified up to a JANTXV level. This TO-213AA isolated package features a 180 degree lead orientation.



**TO-213AA (TO-66)  
Package**

**Important:** For the latest information, visit our website <http://www.microsemi.com>.

#### FEATURES

- JEDEC registered 2N6298 and 2N6299
- Hermetically sealed
- JAN, JANTX, and JANTXV qualifications are available per MIL-PRF-19500/540
- RoHS compliant versions available (commercial grade only)

#### APPLICATIONS / BENEFITS

- Convenient package
- Mechanically rugged
- Military, space and other high reliability applications

#### MAXIMUM RATINGS @ 25 °C unless otherwise stated

Parameters/Test Conditions	Symbol	Value	Unit
Junction and Storage Temperature	T <sub>J</sub> and T <sub>STG</sub>	-65 to +175	°C
Thermal Resistance Junction-to-Case	R <sub>θJC</sub>	2.33	°C
Collector-Base Voltage	V <sub>CBO</sub>	2N6298 2N6299	V
		-60 -80	
Collector-Emitter Voltage	V <sub>CEO</sub>	2N6298 2N6299	V
		-60 -80	
Emitter-Base Voltage	V <sub>EBO</sub>	-5	V
Continuous Operating Collector Current	I <sub>C</sub>	-8	A
Base Current	I <sub>B</sub>	-120	mA
Total Power Dissipation <sup>(1)</sup>	P <sub>T</sub>	@ T <sub>C</sub> = +25 °C	64
		@ T <sub>C</sub> = +100 °C	32

**NOTES:** 1. Derate linearly at 0.428 W/°C above T<sub>C</sub> > +25 °C.

#### **MSC – Lawrence**

6 Lake Street,  
Lawrence, MA 01841  
Tel: 1-800-446-1158 or  
(978) 620-2600  
Fax: (978) 689-0803

#### **MSC – Ireland**

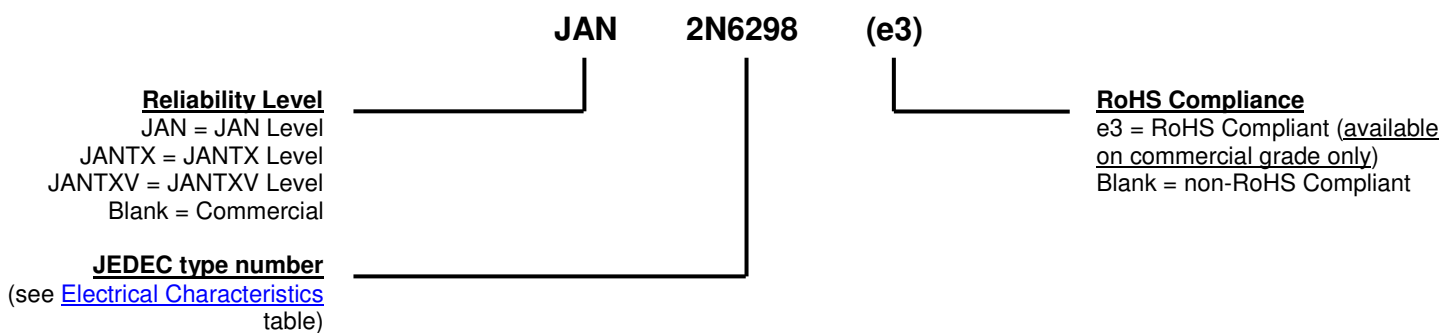
Gort Road Business Park,  
Ennis, Co. Clare, Ireland  
Tel: +353 (0) 65 6840044  
Fax: +353 (0) 65 6822298

#### **Website:**

[www.microsemi.com](http://www.microsemi.com)

**MECHANICAL and PACKAGING**

- CASE: Hermetic, TO-213AA package. Nickel plate with nickel cap.
- TERMINALS: Solder dipped (Sn63/Pb37) over nickel plated alloy 52. RoHS compliant matte-tin plating is also available.
- MARKING: MSC, part number, date code, polarity symbol
- WEIGHT: Approximately 5.7 grams
- See [Package Dimensions](#) on last page.

**PART NOMENCLATURE**

**SYMBOLS & DEFINITIONS**

Symbol	Definition
$I_B$	Base current: The value of the dc current into the base terminal.
$I_C$	Collector current: The value of the dc current into the collector terminal.
$I_E$	Emitter current: The value of the dc current into the emitter terminal.
$T_C$	Case temperature: The temperature measured at a specified location on the case of a device.
$V_{CB}$	Collector-base voltage: The dc voltage between the collector and the base.
$V_{CBO}$	Collector-base voltage, base open: The voltage between the collector and base terminals when the emitter terminal is open-circuited.
$V_{CC}$	Collector-supply voltage: The supply voltage applied to a circuit connected to the collector.
$V_{CEO}$	Collector-emitter voltage, base open: The voltage between the collector and the emitter terminals when the base terminal is open-circuited.
$V_{EB}$	Emitter-base voltage: The dc voltage between the emitter and the base.
$V_{EBO}$	Emitter-base voltage, collector open: The voltage between the emitter and base terminals with the collector terminal open-circuited.

**ELECTRICAL CHARACTERISTICS @ 25 °C unless otherwise stated**

Parameters / Test Conditions	Symbol	Min.	Max.	Unit
<b>ON CHARACTERISTICS <sup>(1)</sup></b>				
Collector-Emitter Breakdown Voltage $I_C = -100 \text{ mA}$	2N6298 2N6299	$V_{(BR)CEO}$	-60 -80	V
Collector-Emitter Cutoff Current $V_{CE} = -60, V_{BE} = 1.5 \text{ V}$ $V_{CE} = -80, V_{BE} = 1.5 \text{ V}$	2N6298 2N6299	$I_{CEX}$	10	$\mu\text{A}$
Collector-Emitter Cutoff Current, Base Open $V_{CE} = -30 \text{ V}$ $V_{CE} = -40 \text{ V}$	2N6298 2N6299	$I_{CEO}$	-0.5	mA
Emitter-Base Cutoff Current $V_{EB} = -5 \text{ V}$		$I_{EBO}$	-2.0	mA
Forward Current Transfer Ratio $I_C = -1 \text{ A}, V_{CE} = -3 \text{ V}$ $I_C = -4 \text{ A}, V_{CE} = -3 \text{ V}$ $I_C = -8 \text{ A}, V_{CE} = -3 \text{ V}$		$h_{FE}$	500 750 100	18000
Collector-Emitter Saturation Voltage $I_C = -4.0 \text{ A}, I_B = -16 \text{ mA}$ $I_C = -8.0 \text{ A}, I_B = -80 \text{ mA}$		$V_{CE(sat)}$	-2.0	V
Base-Emitter Saturation Voltage $I_C = -8.0 \text{ A}, I_B = -80 \text{ mA}$		$V_{BE(sat)}$	-4.0	V

**DYNAMIC CHARACTERISTICS**

Parameters / Test Conditions	Symbol	Min.	Max.	Unit
Magnitude of Common Emitter Small-Signal Short-Circuit Forward Current Transfer Ratio $V_{CE} = -3.0 \text{ V}, I_C = -3.0 \text{ A}, f = 1 \text{ MHz}$	$ h_{fe} $	25	350	
Common Emitter Small-Signal Short-Circuit Forward Current Trans-Ratio $V_{CE} = -3 \text{ V}, I_C = -3 \text{ A}, f = 1 \text{ kHz}$	$h_{fe}$	300		
Output Capacitance $V_{CB} = -10 \text{ V}, I_E = 0 \text{ A}, 100 \text{ kHz} \leq f \leq 1 \text{ MHz}$	$C_{obo}$		200	pF

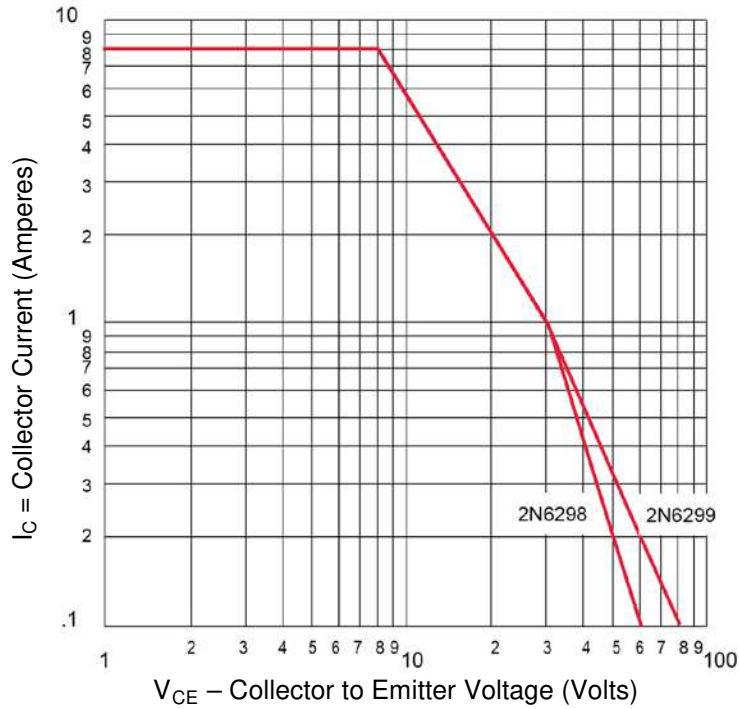
(1) Pulse Test: pulse width = 300  $\mu\text{s}$ , duty cycle  $\leq 2.0 \%$

**ELECTRICAL CHARACTERISTICS @  $T_C = 25\text{ }^\circ\text{C}$  unless otherwise noted. (continued)****SWITCHING CHARACTERISTICS**

Parameters / Test Conditions	Symbol	Min.	Max.	Unit
Turn-On time $V_{CC} = -30\text{ V}$ , $I_C = -4\text{ A}$ , $I_{B1} = -16\text{ mA}$	$t_{on}$		2.0	$\mu\text{s}$
Turn-Off time $V_{CC} = -30\text{ V}$ , $I_C = -4\text{ A}$ , $I_{B1} = -16\text{ mA}$	$t_{off}$		8.0	$\mu\text{s}$

**SAFE OPERATING AREA (See figures 1 and 2 and [MIL-STD-750, Test Method 3053](#))****DC Tests** $T_C = 25\text{ }^\circ\text{C} +10\text{ }^\circ\text{C}$ ,  $t = 1\text{ second}$ , 1 Cycle**Test 1** $V_{CE} = -8\text{ V}$ ,  $I_C = -8\text{ A}$ **Test 2** $V_{CE} = -20\text{ V}$ ,  $I_C = -2.0\text{ A}$ **Test 3** $V_{CE} = -60\text{ V}$ ,  $I_C = -100\text{ mA}$  (2N6298) $V_{CE} = -80\text{ V}$ ,  $I_C = -100\text{ mA}$  (2N6299)

**SAFE OPERATING AREA**

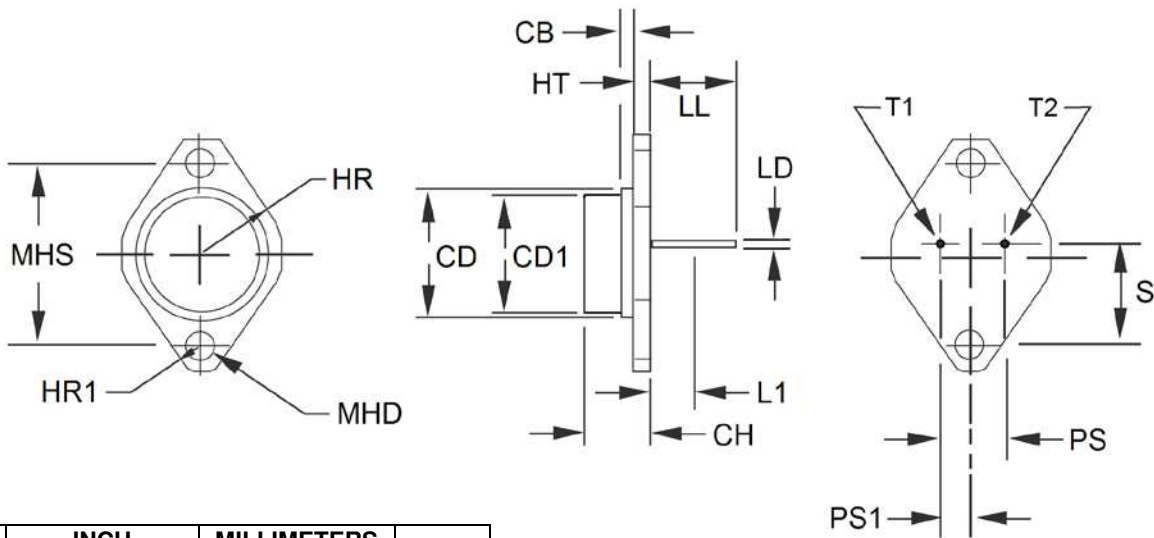


**FIGURE 1**  
Maximum Safe Operating Area (dc)



**FIGURE 2**  
Safe Operating Area for switching between saturation and cutoff (unclamped inductive load)

PACKAGE DIMENSIONS



DIM	INCH		MILLIMETERS		Notes
	MIN	MAX	MIN	MAX	
CB	0.470	0.500	11.94	12.70	
CD	-	0.620	-	15.76	
CH	0.250	0.340	6.35	8.64	
HR	-	0.350	-	8.89	
HT	0.050	0.075	1.27	1.91	
HR1	0.115	0.145	2.92	3.68	4
LD	0.028	0.034	0.71	0.86	4, 6
LL	0.360	0.500	9.14	12.70	
L1	-	0.050	-	1.27	6
MHD	0.142	0.152	3.61	3.86	4
MHS	0.958	0.962	24.33	24.43	
PS	0.190	0.210	4.83	5.33	3
PS1	0.093	0.107	2.36	2.73	3
S	0.570	0.590	14.48	14.99	
T1	Base				
T2	Emitter				
Case	Collector				

NOTES:

1. Dimensions are in inches.
2. Millimeters are given for information only.
3. These dimensions should be measured at points 0.050 inch (1.27 mm) +0.005 inch (0.13 mm) -0.000 inch (0.00 mm) below seating plane. When gauge is not used, measurement will be made at the seating plane.
4. Two places.
5. The seating plane of the header shall be flat within 0.001 inch (0.03 mm) concave to .004 inch (0.10 mm) convex inside a .930 inch (23.62 mm) diameter circle on the center of the header and flat within .001 inch (0.03 mm) concave to .006 inch (0.15 mm) convex overall.
6. Lead diameter shall not exceed twice LD within L1.
7. Lead number 1 is the emitter, lead 2 is the base, case is the collector.
8. In accordance with ASME Y14.5M, diameters are equivalent to  $\Phi x$  symbology.

SCHEMATIC

