



Chipsmall Limited consists of a professional team with an average of over 10 year of expertise in the distribution of electronic components. Based in Hongkong, we have already established firm and mutual-benefit business relationships with customers from,Europe,America and south Asia,supplying obsolete and hard-to-find components to meet their specific needs.

With the principle of “Quality Parts,Customers Priority,Honest Operation,and Considerate Service”,our business mainly focus on the distribution of electronic components. Line cards we deal with include Microchip,ALPS,ROHM,Xilinx,Pulse,ON,Everlight and Freescale. Main products comprise IC,Modules,Potentiometer,IC Socket,Relay,Connector.Our parts cover such applications as commercial,industrial, and automotives areas.

We are looking forward to setting up business relationship with you and hope to provide you with the best service and solution. Let us make a better world for our industry!



Contact us

Tel: +86-755-8981 8866 Fax: +86-755-8427 6832

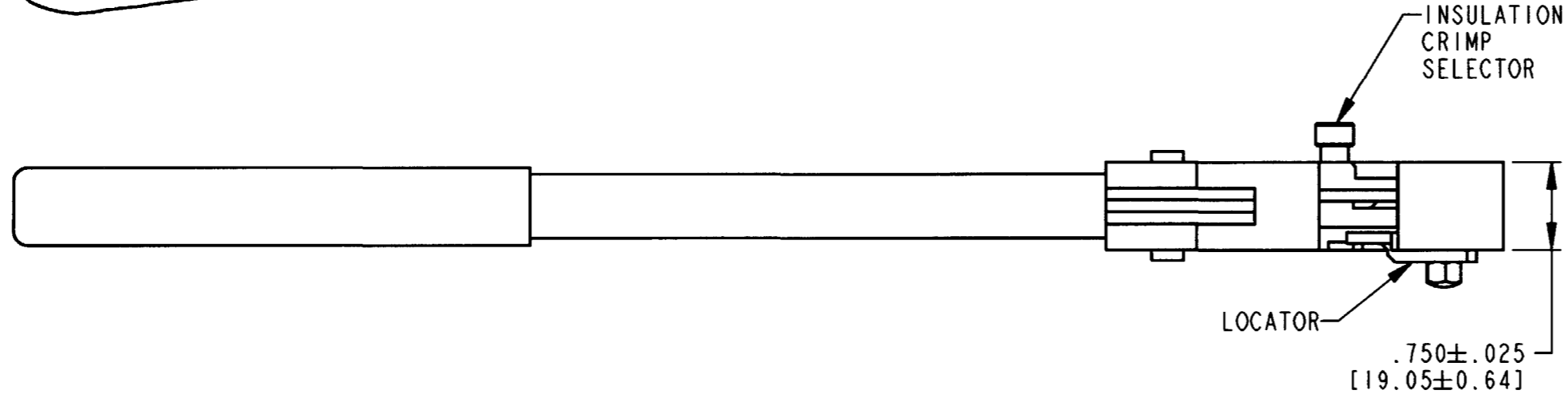
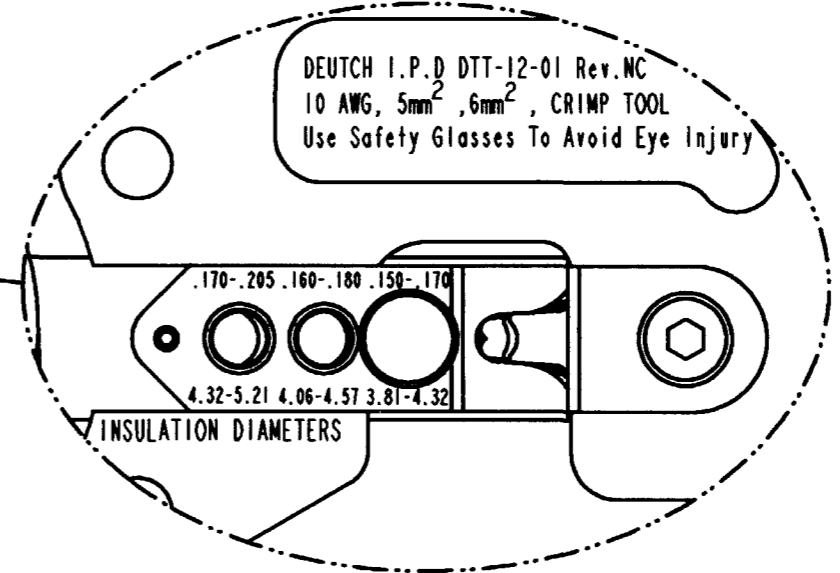
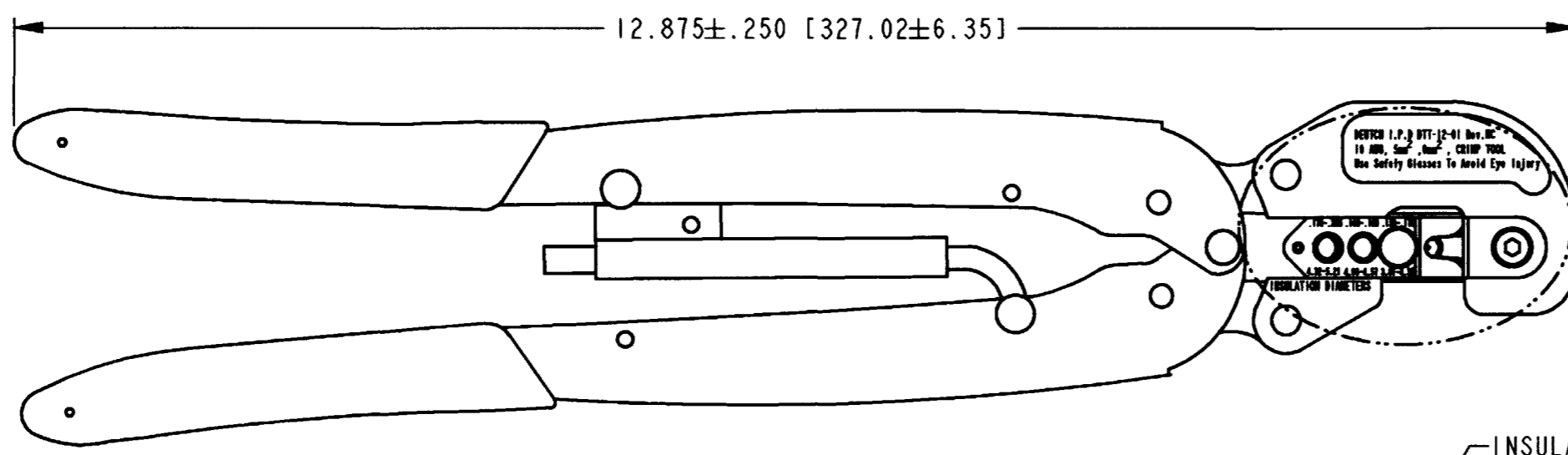
Email & Skype: info@chipsmall.com Web: www.chipsmall.com

Address: A1208, Overseas Decoration Building, #122 Zhenhua RD., Futian, Shenzhen, China



REV	NC	DTT-12-01
-----	----	-----------

REVISIONS			
SYM	DESCRIPTION	DATE	APPROVED
NC	NEW RELEASE PER E.O. PI7438	9-21-01	RDR



12 SIZE S/F CRIMP SCHEMA		
	WIRE TYPE	INSULATION SELECTOR
1060-12-02** PIN	10 AWG TXL	.150-.170 [3.81-4.32]
	10 AWG GXL	.160-.180 [4.06-4.57]
1062-12-02** SOCKET	10 AWG SXL	.170-.205 [4.32-5.21]
	5 mm ²	.160-.180 [4.06-4.57]
	6 mm ²	.170-.205 [4.32-5.21]

- 5. EACH TOOL INCLUDES AN INSTRUCTION MANUAL 0425-045-0000.
 - 4. ** = CONTACT PLATING CODE (22 = NICKEL; 44 = SELECTIVE GOLD).
 - 3. THIS TOOL IS DESIGNED TO CRIMP SIZE 12 STAMPED CONTACTS TO WIRES INDICATED.
 - 2. TOOL IS BLACK WITH BLUE HANDLES.
 - 1. DIMENSIONS ARE IN INCHES [mm].
- NOTES: UNLESS OTHERWISE SPECIFIED

SIGNATURE & DATE	
DR	J. APOSTOL 17SEP2001
CHK	D. [Signature] 9/21/01
PE	[Signature] 9/21/01
APPD	R. Reed 9-21-01
SCALE	NONE WT

CRIMP TOOL
 CONDUCTOR: 10 AWG, 5mm² & 6mm²
 INSULATION: .150-.205
 DTT-12-01
 ENVELOPE

CP	EP 101	MATL. CODE
The Deutsch Company DEUTSCH I.P.D. 3850 INDUSTRIAL AVE. HEMET, CALIF. 92545		
B DTT-12-01		
DWG SIZE	CODE 11139	SHEET OF