



Chipsmall Limited consists of a professional team with an average of over 10 year of expertise in the distribution of electronic components. Based in Hongkong, we have already established firm and mutual-benefit business relationships with customers from,Europe,America and south Asia,supplying obsolete and hard-to-find components to meet their specific needs.

With the principle of “Quality Parts,Customers Priority,Honest Operation,and Considerate Service”,our business mainly focus on the distribution of electronic components. Line cards we deal with include Microchip,ALPS,ROHM,Xilinx,Pulse,ON,Everlight and Freescale. Main products comprise IC,Modules,Potentiometer,IC Socket,Relay,Connector.Our parts cover such applications as commercial,industrial, and automotives areas.

We are looking forward to setting up business relationship with you and hope to provide you with the best service and solution. Let us make a better world for our industry!



Contact us

Tel: +86-755-8981 8866 Fax: +86-755-8427 6832

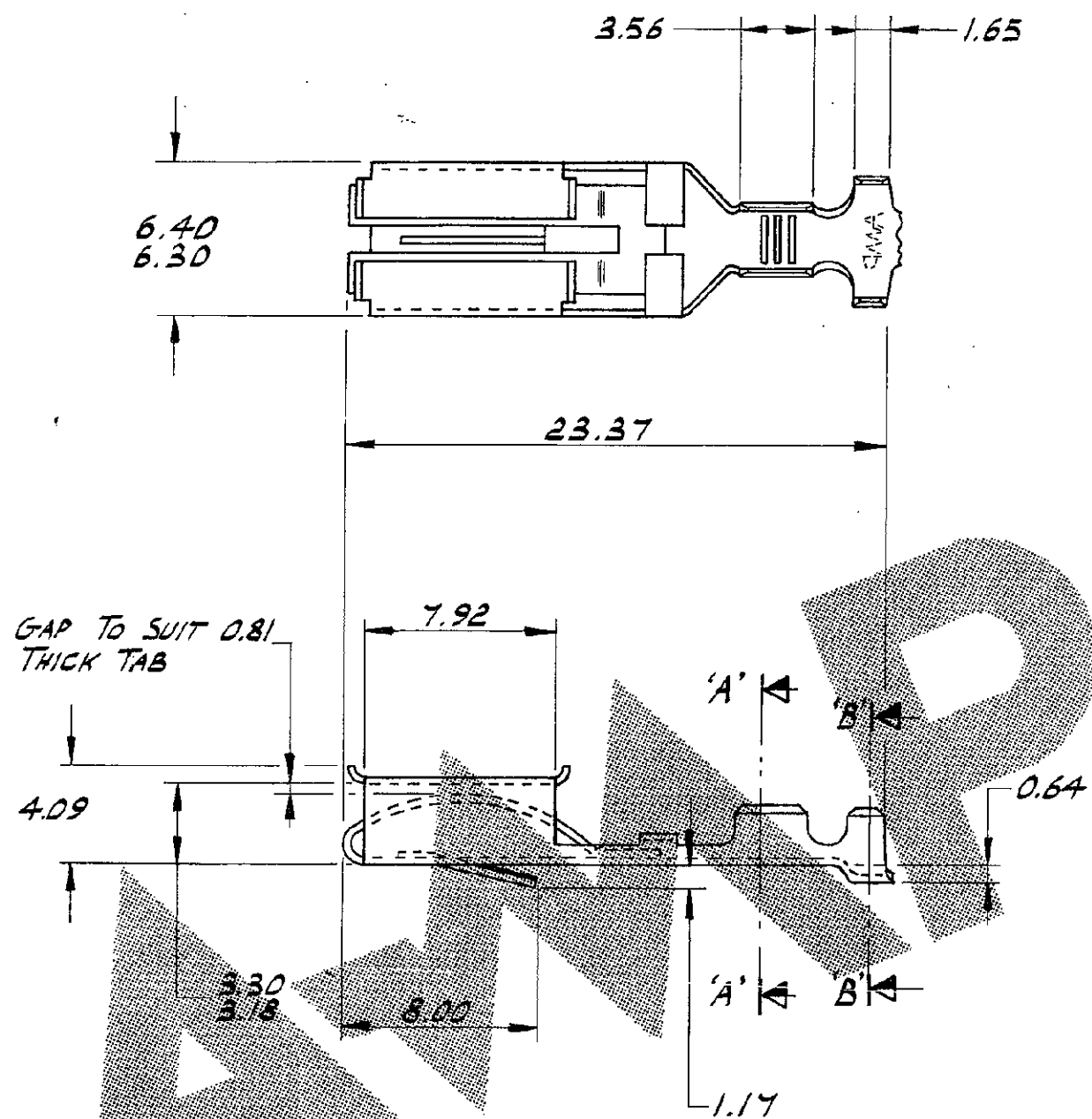
Email & Skype: info@chipsmall.com Web: www.chipsmall.com

Address: A1208, Overseas Decoration Building, #122 Zhenhua RD., Futian, Shenzhen, China



NUMBER C 342642

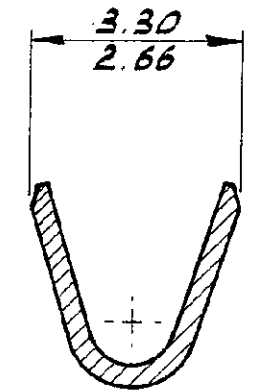
3rd ANGLE (AMERICAN) PROJECTION



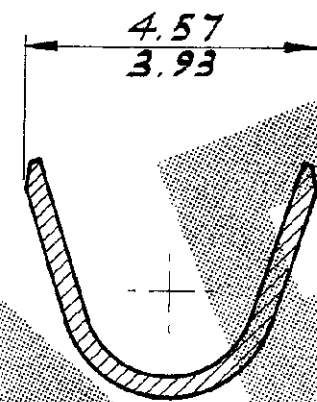
GAP TO SUIT 0.81 THICK TAB

NOTE
 ✓ REEL QTY. 2-5M

WAS P83 9441 (GERMANY PROPOSAL)



SECTION 'A'-'A'
 SCALE 10:1



SECTION 'B'-'B'
 SCALE 10:1

342872-4	342642-4	PHOS. BRONZE	PRE-TIN
342872-3	342642-3	PHOS. BRONZE	NONE
342872-2	342642-2	BRASS	PRE-TIN
342872-1	342642-1	BRASS	NONE
L.P. PART NO	PART NO	MATERIAL	FINISH

© AMP of GREAT BRITAIN LTD 1983				CUSTOMER COPY REFERENCE ONLY	
E	SEE Ecn F800-0150-00	C.H.	10-3-00	MATERIAL AND FINISH	
3	-1 OBSOLETE	A.B.H.	27-9-88	0.40 THICK STOCK	
2	L.P. NOS ADDED	MW	7-3-85	SEE TABLE	
1	FIRST DRAWN	-	-	WIRE - RANGE - INSULATION	
ISS REVISION RECORD			DR	CHK	DATE
DR	J.CREW	14.6.83	DE	14.6.83	
CHK	17.10.83		AP	14.6.83	
TOLERANCE EXCEPT AS NOTED ± 0.5				SCALE ± 1° 0'	4:1
NAME				LOC	NO
SPRING RECEPTACLE				E	B C342642



TERMINAL HOUSE, STANMORE, MIDDX.