



Chipsmall Limited consists of a professional team with an average of over 10 year of expertise in the distribution of electronic components. Based in Hongkong, we have already established firm and mutual-benefit business relationships with customers from,Europe,America and south Asia,supplying obsolete and hard-to-find components to meet their specific needs.

With the principle of “Quality Parts,Customers Priority,Honest Operation,and Considerate Service”,our business mainly focus on the distribution of electronic components. Line cards we deal with include Microchip,ALPS,ROHM,Xilinx,Pulse,ON,Everlight and Freescale. Main products comprise IC,Modules,Potentiometer,IC Socket,Relay,Connector.Our parts cover such applications as commercial,industrial, and automotives areas.

We are looking forward to setting up business relationship with you and hope to provide you with the best service and solution. Let us make a better world for our industry!



Contact us

Tel: +86-755-8981 8866 Fax: +86-755-8427 6832

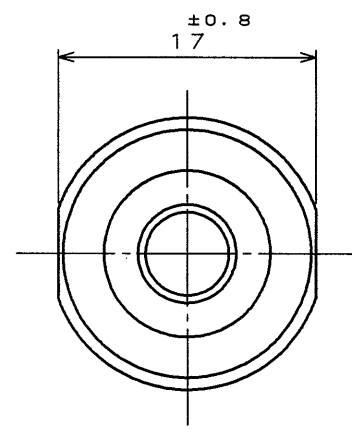
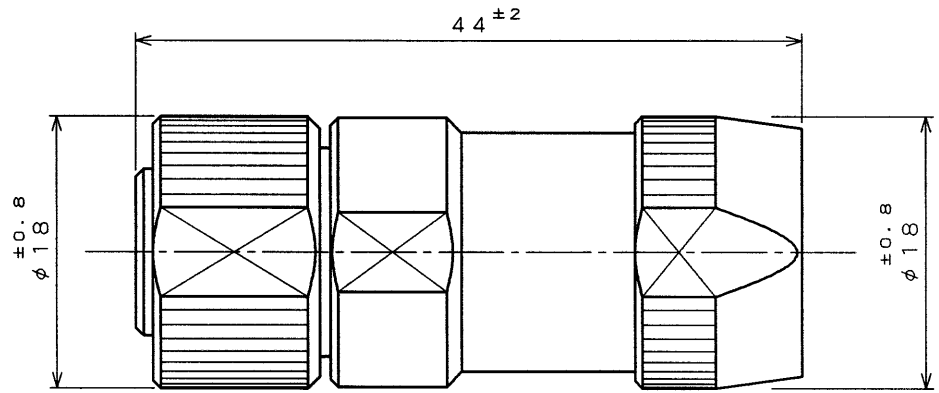
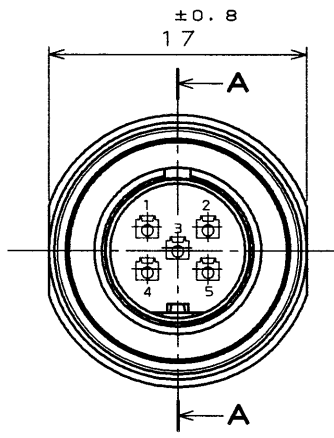
Email & Skype: info@chipsmall.com Web: www.chipsmall.com

Address: A1208, Overseas Decoration Building, #122 Zhenhua RD., Futian, Shenzhen, China



ISOZEORS
(ON ENIMVHO)台架図

版数 REV.	年月日 DATE	DCN NO.	変更内容 DESCRIPTION	製図 DR.	担当 CHK.	査閲 APPD.	承認 APPD.
2	20.May.1998	42065	REDRAWN	M.ABE	T.OKAMURA	S.NANAO	M.MAJIME
3	14.Sep.1998	42875	CHANGED SET SCREW	M.ABE	T.OKAMURA	S.NANAO	M.MAJIME



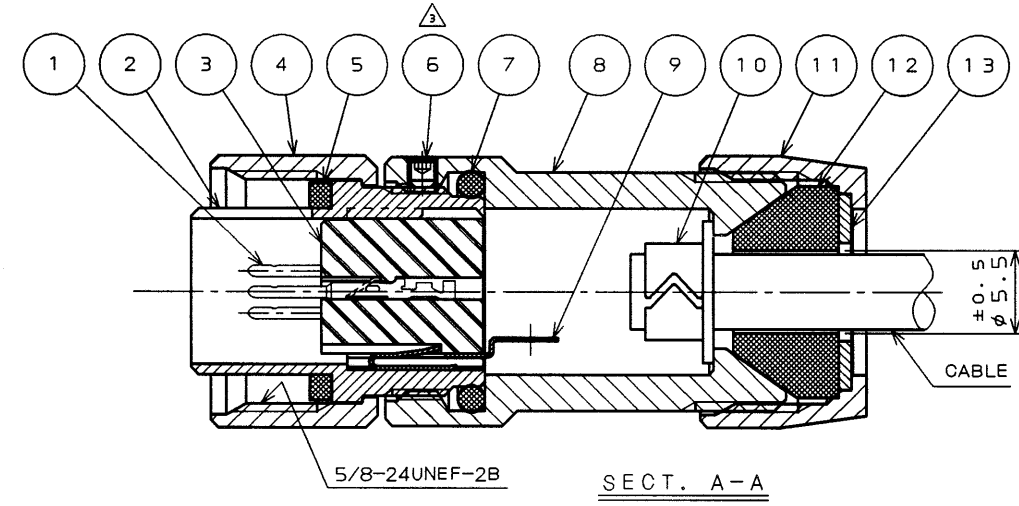
DESIGNATION
命名法

JB1DB05PL

- MODIFICATION (2: FOR ANTI-OIL, 5: FOR WEATHER-PROOF)
モディファイ (2: 耐油用, 5: 耐候用)
- CONTACT SIZE (L: #22 SIZE)
コンタクトサイズ (L: #22 サイズ)
- CONTACT FORM (P: CRIMP PIN CONTACT)
コンタクト形状 (P: 圧着ピンコンタクト)
- NUMBER OF CONTACTS
芯数
- SHELL SIZE
シェルサイズ
- STYLE (D: STRAIGHT PLUG)
挿入形状 (D: ストレートプラグ)
- SERIES
シリーズ

注1. ピンコンタクトは別売である。品名は下記の通り。
NOTE1. CONTACTS ARE ORDERED SEPARATELY.

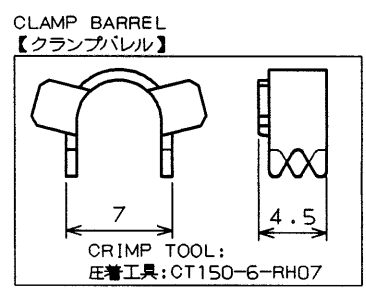
TYPE 種別	PART NO. 品名	APPLICABLE WIRE 適用電線		DRAWING NO. 図番
		WIRE SIZE 適用電線サイズ	INSULATION OUTER 被覆外径	
REEL リール (10000 PCS)	D02-22-22P-10000	AWG #22~24	φ1.3 以下	SJ021507
	D02-22-26P-10000	AWG #26~28	φ1.1 以下	
PACKAGE パッケージ (100 PCS)	D02-22-22P-PKG100	AWG #22~24	φ1.3 以下	SJ020776
	D02-22-26P-PKG100	AWG #26~28	φ1.1 以下	



13	WASHER	1	STEEL	NICKEL PLATING	
12	BUSHING	1	SYNTHETIC RUBBER		MODIFICATION 2: BLACK, 5: DARK GRAY
11	GRAND NUT	1	ZINC ALLOY	NICKEL PLATING	
10	CLAMP BARREL	1	COPPER ALLOY	NICKEL PLATING	ATTACHED
9	EARTH LUG	1	COPPER ALLOY	SILVER PLATING	
8	END BELL	1	ALUMINUM ALLOY	NICKEL PLATING	
7	O-RING	1	SYNTHETIC RUBBER		JIS B 2401
6	HEXAGON SOCKET SET SCREW	1	STEEL	NICKEL PLATING	M2
5	GASKET	1	SYNTHETIC RUBBER		
4	COUPLING NUT	1	ZINC ALLOY	NICKEL PLATING	
3	INSULATOR	1	SYNTHETIC RESIN		
2	BARREL	1	ZINC ALLOY	NICKEL PLATING	
1	PIN CONTACT	5	COPPER ALLOY	GOLD PLATING	(NOTE1)
符号 NO.	名称 DESCRIPTION	個数 QTY.	材料 MATERIAL	仕上 FINISH	備考 REMARKS

SPECIFICATION

CONTACT : #22x5
 RATED CURRENT : 3A MAX PER CONTACT
 RATED VOLTAGE : AC300V
 APPLICABLE WIRE : SHIELD CABLE (CABLE OUTER DIA φ3.5^{±0.5})
 WIRE SIZE AWG#22~#28
 WATER PROOF : IP67



仕様

コンタクト : #22コンタクト×5本
 定格電流 : 3A以下 (コンタクト1本当り)
 定格電圧 : AC300V
 適用電線 : シールドケーブル (ケーブル外径φ5 ± 0.5)
 芯線サイズ AWG#22~#28
 防水性能 : IP67 (コネクタ嵌合時)

仕様書 (SPECIFICATION) JACS-5098-1		第1版 (ORIGINAL DATE) 3.Jul.1997		尺度 (SCALE) 2:1	
製造 DR.		担当 CHK. T.OKAMURA		名称 (TITLE) JB1DB05PL※ (STRAIGHT PLUG)	
公差 (GENERAL TOLERANCE)		査閲 APPD. S.NANAO		承認 APPD. M.MAJIME	
寸法 (DIMENSION)		角度 (ANGLES)		重量 (WEIGHT)	
. ±	×° ±	. × ±		. × × ±	
. × ±	× × ±			図面番号 (DRAWING NO.) SJ032051	
. × × ±	× × × ±			版数 (REV.) 3	

DOF-C-212D(98.02)

CDS-97-100-10358
SIZE A3

