



Chipsmall Limited consists of a professional team with an average of over 10 year of expertise in the distribution of electronic components. Based in Hongkong, we have already established firm and mutual-benefit business relationships with customers from,Europe,America and south Asia,supplying obsolete and hard-to-find components to meet their specific needs.

With the principle of “Quality Parts,Customers Priority,Honest Operation,and Considerate Service”,our business mainly focus on the distribution of electronic components. Line cards we deal with include Microchip,ALPS,ROHM,Xilinx,Pulse,ON,Everlight and Freescale. Main products comprise IC,Modules,Potentiometer,IC Socket,Relay,Connector.Our parts cover such applications as commercial,industrial, and automotives areas.

We are looking forward to setting up business relationship with you and hope to provide you with the best service and solution. Let us make a better world for our industry!



Contact us

Tel: +86-755-8981 8866 Fax: +86-755-8427 6832

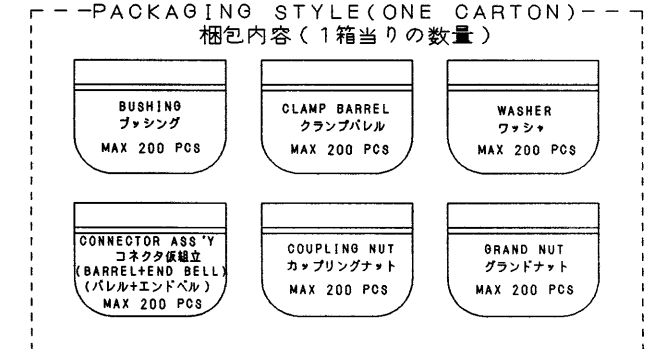
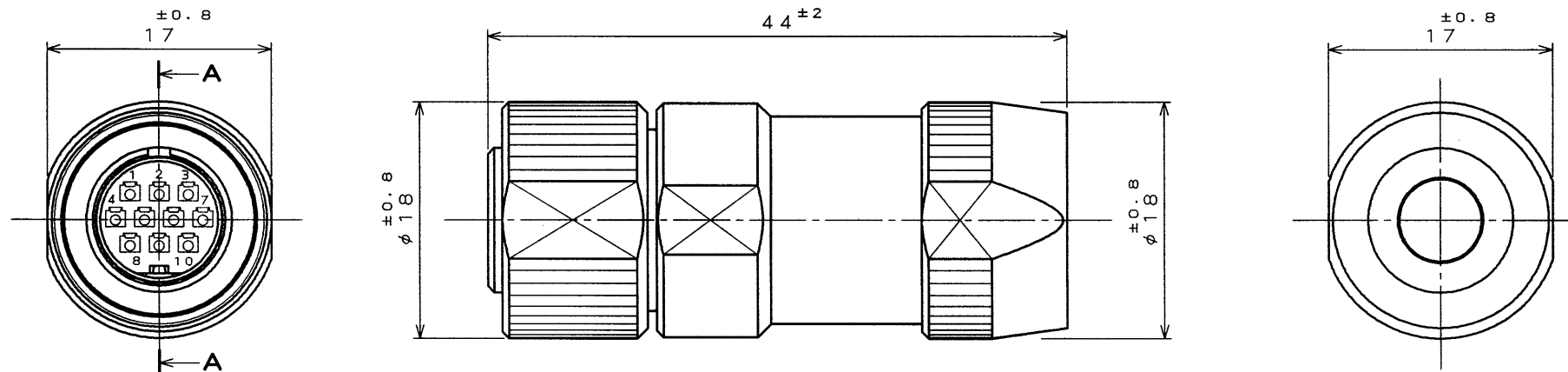
Email & Skype: info@chipsmall.com Web: www.chipsmall.com

Address: A1208, Overseas Decoration Building, #122 Zhenhua RD., Futian, Shenzhen, China



061ZE0PS
('ON 9NIMVHD) 台 票 号 図

版 数 REV.	年 月 日 DATE	DCN NO.	変 更 内 容 DESCRIPTION	製 図 DR.	担 当 CHK.	査 閲 APPD.	承 認 APPD.
2	20.May.1998	42065	REDRAWN	M.ABE	T.OKAMURA	S.NANAO	M.MAJIME
3	14.Sep.1998	42875	CHANGED SET SCREW	M.ABE	T.OKAMURA	S.Nanao	M.Majime

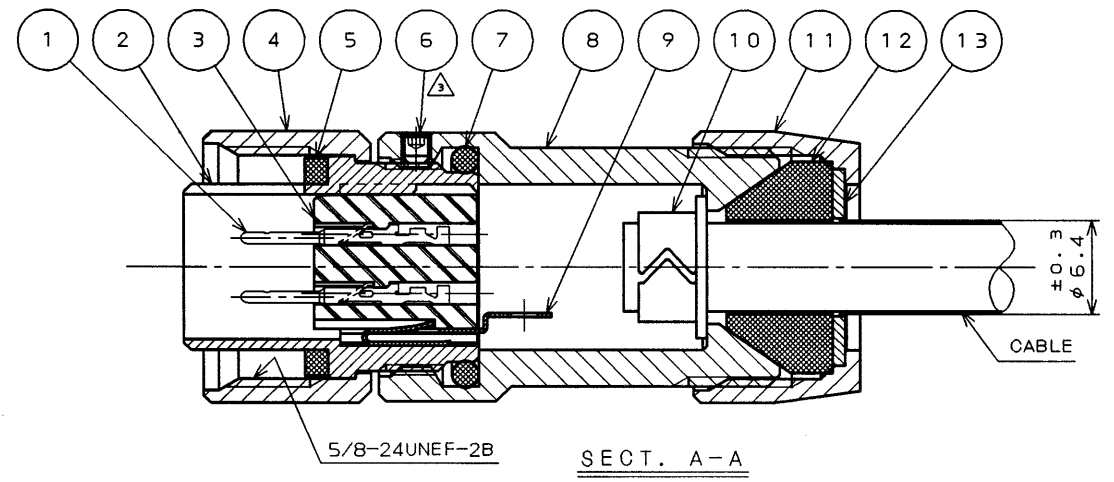
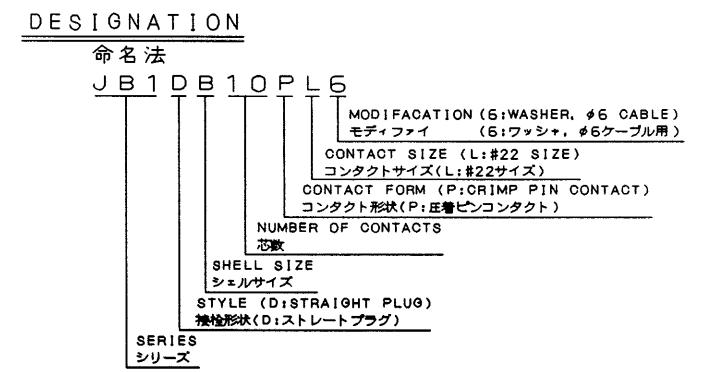


SPECIFICATION

CONTACT : #22×10
 RATED CURRENT : 3A MAX PAR CONTACT
 RATED VOLTAGE : AC300V
 APPLICABLE WIRE: SHIELD CABLE(CABLE OUTER DIA φ6^{±0.5})
 WIRE SIZE AWG#26~#28(INSULATION OUTER DIA φ1.1MAX)
 WATER PROOF : IP67

仕様

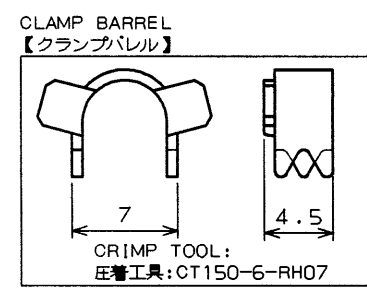
コンタクト: #22コンタクト×10本
 定格電流: 3A以下(コンタクト1本当たり)
 定格電圧: AC300V
 適用電線: シールドケーブル(ケーブル外径φ6^{±0.3})
 芯線サイズ AWG#26~#28(被覆外径φ1.1以下)
 防水性能: IP67(コネクタ嵌合時)



NO.	DESCRIPTION	QTY.	MATERIAL	FINISH	REMARKS
13	WASHER	1	STEEL	NICKEL PLATING	
12	BUSHING	1	NBR		
11	GRAND NUT	1	ZINC ALLOY	NICKEL PLATING	
10	CLAMP BARREL	1	COPPER ALLOY	NICKEL PLATING	ATTACHED
9	EARTH RUG	1	COPPER ALLOY	SILVER PLATING	
8	END BELL	1	ALUMINUM ALLOY	NICKEL PLATING	
7	O RING	1	NBR		JIS B 2401
6	HEXAGON SOCKET SET SCREW	1	STEEL	NICKEL PLATING	M2
5	GASKET	1	NBR		
4	COUPLING NUT	1	ZINC ALLOY	NICKEL PLATING	
3	INSULATOR	1	SYNTHETIC RESIN		
2	BARREL	1	ZINC ALLOY	NICKEL PLATING	
1	PIN CONTACT	10	COPPER ALLOY	GOLD PLATING	(NOTE 3)

注1.コネクタは組み立てず、部品毎にバラの状態での納入される。尚、アースラグ保護の為、バレル組立にはエンドベル組立が仮止めされている。
 2.本品はJB1DB10PL4(SJ031813)と適用ケーブル径が異なる。
 3.ピンコンタクトは別売である。品名は下記の通り。

NOTE1.THE CONNECTOR IS SUPPLIED LOOSE, NAMELY NOT ASSEMBLED. FOR PROTECTING THE EARTH LUG, THE END BELL ASSEMBLY IS TENTATIVELY ASSEMBLED INTO THE BARREL ASSEMBLY.
 2.DIFFERENCE BETWEEN THIS PRODUCT AND JB1DB10PL4 (CUSTOMER USE DRAWING NUMBER: SJ031813) IS APPLICABLE WIRE SIZE ONLY.
 3.CONTACTS ARE ORDERED SEPARATELY.



TYPE 種別	PART NO. 品名	DRAWING NO. 図番
REEL リール	D02-22-26P-10000	SJ021507
PACKAGE パッケージ	D02-22-26P-PKG100	SJ020776

仕様書(SPECIFICATION) 第1版(ORIGINAL DATE) 20.Aug.1997

JACS-5098

製図 DR. 担当 CHK. T.OKAMURA 査閲 APPD. S.NANAO 承認 APPD. M.MAJIME

名称(TITLE) JB1DB10PL6 (STRAIGHT PLUG THE OTHER PARTS PACKAGE) [φ6 CABLE CORRESPOND]

重量(WEIGHT)

図面番号(DRAWING NO.) SJ032190

版数(REV.) 3

DOF-C-212D(98.02)

CDS-97-100-30469
A3
SIZE

