



Chipsmall Limited consists of a professional team with an average of over 10 year of expertise in the distribution of electronic components. Based in Hongkong, we have already established firm and mutual-benefit business relationships with customers from,Europe,America and south Asia,supplying obsolete and hard-to-find components to meet their specific needs.

With the principle of “Quality Parts,Customers Priority,Honest Operation,and Considerate Service”,our business mainly focus on the distribution of electronic components. Line cards we deal with include Microchip,ALPS,ROHM,Xilinx,Pulse,ON,Everlight and Freescale. Main products comprise IC,Modules,Potentiometer,IC Socket,Relay,Connector.Our parts cover such applications as commercial,industrial, and automotives areas.

We are looking forward to setting up business relationship with you and hope to provide you with the best service and solution. Let us make a better world for our industry!



## Contact us

Tel: +86-755-8981 8866 Fax: +86-755-8427 6832

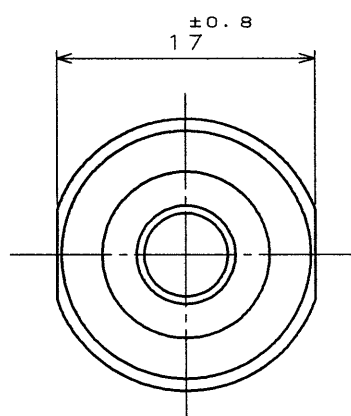
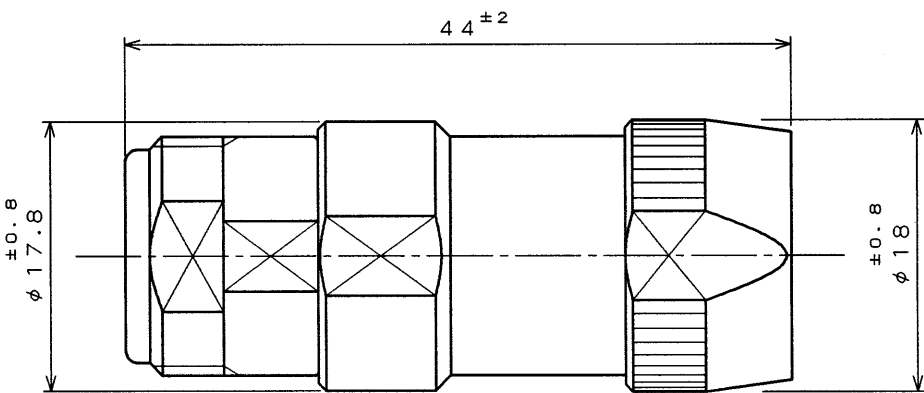
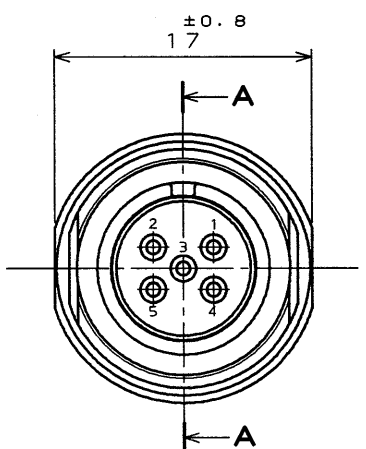
Email & Skype: info@chipsmall.com Web: www.chipsmall.com

Address: A1208, Overseas Decoration Building, #122 Zhenhua RD., Futian, Shenzhen, China



7502E0P8  
( 'ON 0NIMV8R0 )台異図

版数 REV.	年月日 DATE	DCN NO.	変更内容 DESCRIPTION	製図 DR.	担当 CHK.	査閲 APPD.	承認 APPD.
2	20.May.1998	42065	REDRAWN	M.ABE	T.OKAMURA	S.NANAO	M.MAJIME
3	14.Sep.1998	42875	CHANGED SET SCREW	M.ABE	T.OKAMURA	S.Nanao	m.majime



DESIGNATION

命名法  
JB1HBO5SL※

MODIFICATION (2:FOR ANTI-OIL, 5:FOR WEATHER-PROOF)  
モディファイ (2:耐油用, 5:耐候用)

CONTACT SIZE (L:#22 SIZE)  
コンタクトサイズ(L:#22サイズ)

CONTACT FORM (S:CRIMP SOCKET CONTACT)  
コンタクト形状(S:圧着ソケットコンタクト)

NUMBER OF CONTACTS  
芯数

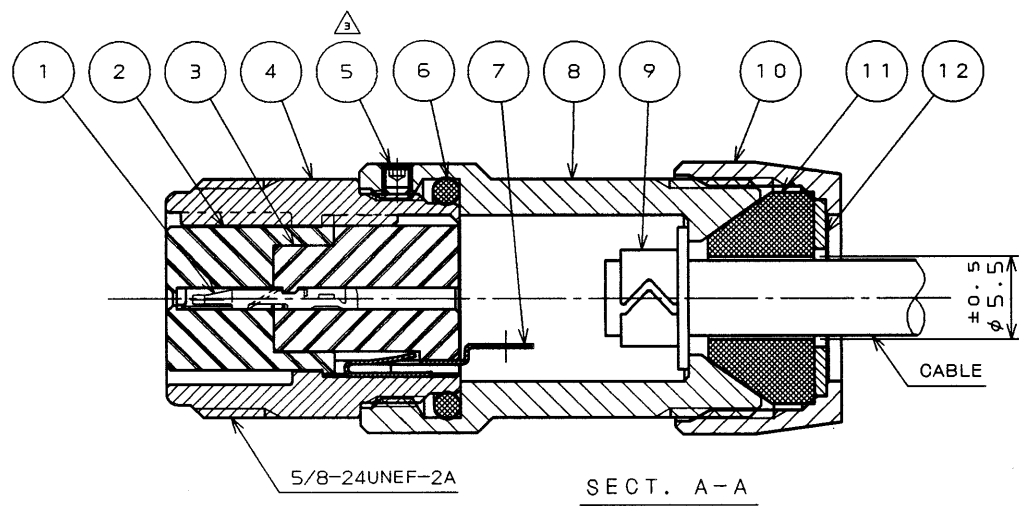
SHELL SIZE  
シェルサイズ

STYLE (H:RELAY PLUG)  
様式形状(H:中継用プラグ)

SERIES  
シリーズ

注1. ソケットコンタクトは別売である。品名は下記の通り。  
NOTE1. CONTACTS ARE ORDERED SEPARATELY.

TYPE 種別	PART NO. 品名	APPLICABLE WIRE 適用電線		DRAWING NO. 図番
		WIRE SIZE 適用電線サイズ	INSULATION OUTER 被覆外径	
REEL リール (10000 PCS)	D02-22-22S-10000	AWG #22~24	φ1.3以下	SJ021508
	D02-22-26S-10000	AWG #26~28	φ1.1以下	
PACKAGE パッケージ (100 PCS)	D02-22-22S-PKG100	AWG #22~24	φ1.3以下	SJ020777
	D02-22-26S-PKG100	AWG #26~28	φ1.1以下	



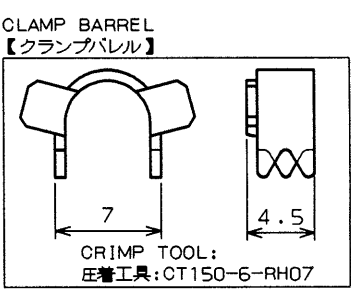
符号 NO.	名称 DESCRIPTION	個数 QTY.	材 料 MATERIAL	仕 上 FINISH	備 考 REMARKS
12	WASHER	1	STEEL	NICKEL PLATING	
11	BUSHING	1	SYNTHETIC RUBBER	—	MODIFICATION 2:BLACK, 5:DARK GRAY
10	GRAND NUT	1	ZINC ALLOY	NICKEL PLATING	
9	CLAMP BARREL	1	COPPER ALLOY	NICKEL PLATING	ATTACHED
8	END BELL	1	ALUMINUM ALLOY	NICKEL PLATING	
7	EARTH LUG	1	COPPER ALLOY	SILVER PLATING	
6	"O" RING	1	SYNTHETIC RUBBER	—	JIS B 2401
5	HEXAGON SOCKET SET SCREW	1	STEEL	NICKEL PLATING	M2
4	SHELL	1	ZINC ALLOY	NICKEL PLATING	
3	REAR INSULATOR	1	SYNTHETIC RESIN	—	
2	FRONT INSULATOR	1	SYNTHETIC RESIN	—	
1	SOCKET CONTACT	5	COPPER ALLOY	GOLD PLATING	(NOTE1)

SPECIFICATION

CONTACT : #22×5  
 RATED CURRENT : 3A MAX PAR CONTACT  
 RATED VOLTAGE : AC300V  
 APPLICABLE WIRE : SHIELD CABLE(CABLE OUTER DIAφ5±0.5)  
 WIRE SIZE AWG#22~#28  
 WATER PROOF : IP67

仕様

コンタクト : #22コンタクト×5本  
 定格電流 : 3A以下(コンタクト1本当り)  
 定格電圧 : AC300V  
 適用電線 : シールドケーブル(ケーブル外径φ5 ± 0.5)  
 芯線サイズ AWG#22~#28  
 防水性能 : IP67(コネクタ嵌合時)



仕様書(SPECIFICATION) JACS-5098-1

第1版(ORIGINAL DATE) 3.Jul.1997

製図 DR. 製図 DR. T.OKAMURA

担当 CHK. 担当 CHK. S.NANAO

査閲 APPD. 査閲 APPD. M.MAJIME

承認 APPD. 承認 APPD. M.MAJIME

名称(TITLE) JB1HBO5SL※ (RELAY PLUG)

重量(WEIGHT)

図面番号(DRAWING NO.) SJ032052

版数 (REV.) 3

本図面は日本航空電子工業(株)の所有する情報を含むもので当社の許可なく複製を禁止する。  
THIS DRAWING CONTAINS INFORMATION THAT IS PROPRIETARY TO JAE AND CAN NOT BE REPRODUCED WITHOUT WRITTEN CONSENT OF JAE.

DOF-C-212D(98.02)

CDS-97-100-10358  
SIZE A3

