



Chipsmall Limited consists of a professional team with an average of over 10 year of expertise in the distribution of electronic components. Based in Hongkong, we have already established firm and mutual-benefit business relationships with customers from,Europe,America and south Asia,supplying obsolete and hard-to-find components to meet their specific needs.

With the principle of "Quality Parts,Customers Priority,Honest Operation,and Considerate Service",our business mainly focus on the distribution of electronic components. Line cards we deal with include Microchip,ALPS,ROHM,Xilinx,Pulse,ON,Everlight and Freescale. Main products comprise IC,Modules,Potentiometer,IC Socket,Relay,Connector.Our parts cover such applications as commercial,industrial, and automotives areas.

We are looking forward to setting up business relationship with you and hope to provide you with the best service and solution. Let us make a better world for our industry!



Contact us

Tel: +86-755-8981 8866 Fax: +86-755-8427 6832

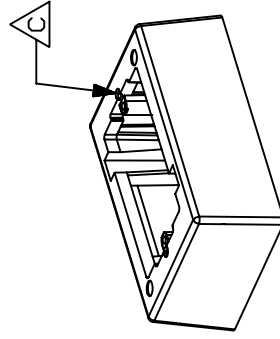
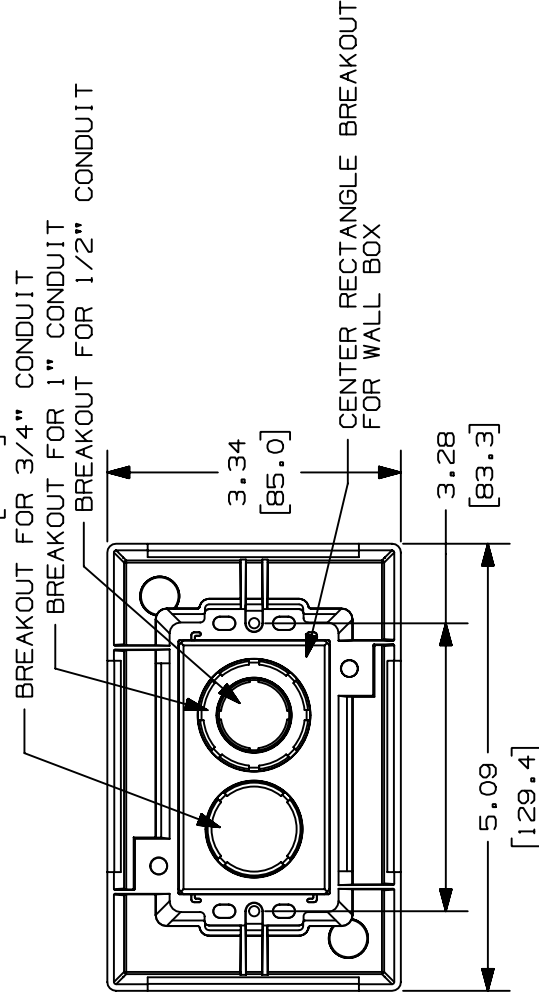
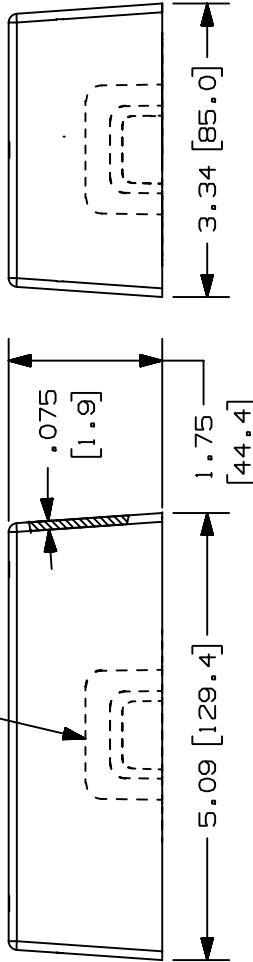
Email & Skype: info@chipsmall.com Web: www.chipsmall.com

Address: A1208, Overseas Decoration Building, #122 Zhenhua RD., Futian, Shenzhen, China



THIS COPY IS PROVIDED ON A RESTRICTED BASIS AND IS NOT TO BE USED IN ANY WAY DETRIMENTAL TO THE INTERESTS OF PANDUIT CORP. NO WARRANTY, EXPRESSED OR IMPLIED, IS MADE BY PANDUIT WITH RESPECT TO ADHESIVE BOND PERFORMANCE. AMONG OTHER THINGS, THE CONDITIONS UNDER WHICH THESE MOUNTS MAY BE APPLIED AND/OR THE SURFACE TO WHICH THEY MAY BE APPLIED ARE BEYOND PANDUIT CONTROL.

LD STYLE BREAKOUTS ON EACH OF THE FOUR SIDE WALLS



PANDUIT P/N	WEIGHT
JB1-A	1.7 LB/10 PCS. (759.1 G/10 PCS.)

- NOTES:
- SEE CURRENT CATALOG FOR ADDITIONAL PART SUFFIXES TO INDICATE COLOR AND OR PACKAGE QUANTITY.
 - ADHESIVE PRESSURE SENSITIVE FOAM .040 (1.0) THICK WITH PROTECTIVE LINER IS PROVIDED FOR EASE OF MOUNTING.
 - DIMENSIONS IN PARENTHESIS ARE IN METRIC.

WAS D35541DA_JB1_C_00.PRT
D35541DQ_DC_JB1_00.PRT

CAO FILENAME/LAYERS

PANDUIT

CORP. TINLEY PARK, ILLINOIS
ONE PIECE JUNCTION BOX (JB1-A)
CUSTOMER DRAWING

UNLESS OTHERWISE SPECIFIED,
DIMENSIONAL TOLERANCES ARE:
(.X) ±
(.XX) ±.03(.8) ANGLES ±
(.XXX) ±.010(.3)
IN INCHES, THIRD ANGLE PROJECTION.

DRAWN BY: MAT'L: NONE

DATE: 10-15-96

CHK'D: CEF

POLYSTYRENE

△

DWG NO. 35541-53
SIZE A

REV	DATE	BY	CHK	DESCRIPTION	ECN	R	CUST	SUP
1	03-12-99	DW	HIW	ADDED FEATURE WHERE NOTED. D. REV'D BREAKOUT A. REV'D PART WEIGHT. B. MAT'L WAS ABS/POLYCARBONATE	35541-53		HIW	HIW
R	10-15-96	PM	CEF	RELEASED TO PRODUCTION	35541-53		CEF	CEF