



Chipsmall Limited consists of a professional team with an average of over 10 year of expertise in the distribution of electronic components. Based in Hongkong, we have already established firm and mutual-benefit business relationships with customers from,Europe,America and south Asia,supplying obsolete and hard-to-find components to meet their specific needs.

With the principle of “Quality Parts,Customers Priority,Honest Operation,and Considerate Service”,our business mainly focus on the distribution of electronic components. Line cards we deal with include Microchip,ALPS,ROHM,Xilinx,Pulse,ON,Everlight and Freescale. Main products comprise IC,Modules,Potentiometer,IC Socket,Relay,Connector.Our parts cover such applications as commercial,industrial, and automotives areas.

We are looking forward to setting up business relationship with you and hope to provide you with the best service and solution. Let us make a better world for our industry!



Contact us

Tel: +86-755-8981 8866 Fax: +86-755-8427 6832

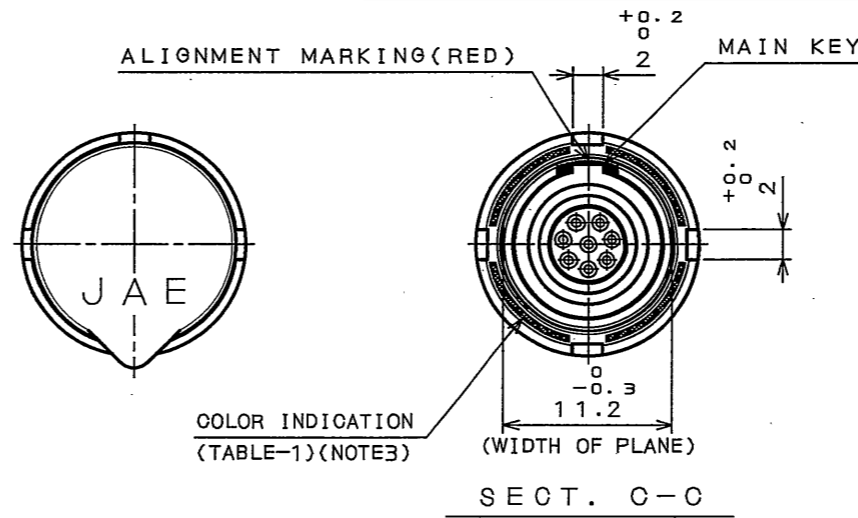
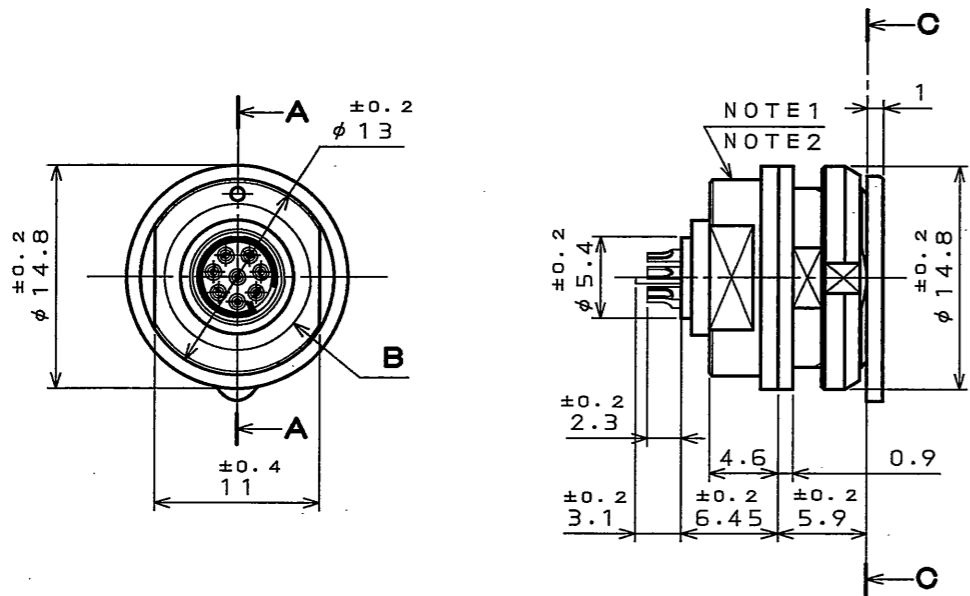
Email & Skype: info@chipsmall.com Web: www.chipsmall.com

Address: A1208, Overseas Decoration Building, #122 Zhenhua RD., Futian, Shenzhen, China



SJ104333
(DRAWING NO.)

版数 REV.	年月日 DATE	CON NO.	変更内容 DESCRIPTION	製図 DR.	担当 CHK.	査閲 APPD.	承認 APPD.



DESIGNATION 命名法
JB5CS08FN※0

MODIFICATION
モディファイ記号
COLOR CODE (TABLE-1) (NOTE3)
カラーコード (TABLE-1) (注3)
CONTACT SIZE (N: #26)
コンタクトサイズ (N: #26)
TERMINATION (F: SOLDER SOCKET)
結線方法 (F: 半田 ソケット)
NUMBER OF CONTACTS (8 CONTACTS)
芯数 (8芯)
SHELL SIZE
シェルサイズ

MOUNTING CONFIGURATION
(G: PANEL MOUNT RECEPTACLE, JAM NUT TYPE)
接栓形状 (G: ハネル取付レセプタクル、シヤムナットタイプ)

SERIES
シリーズ

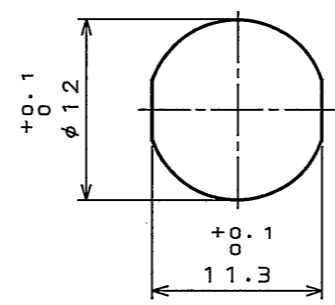
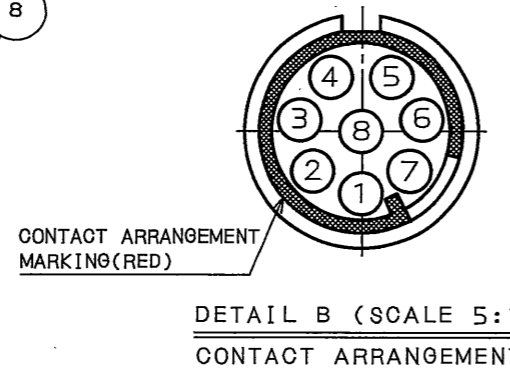
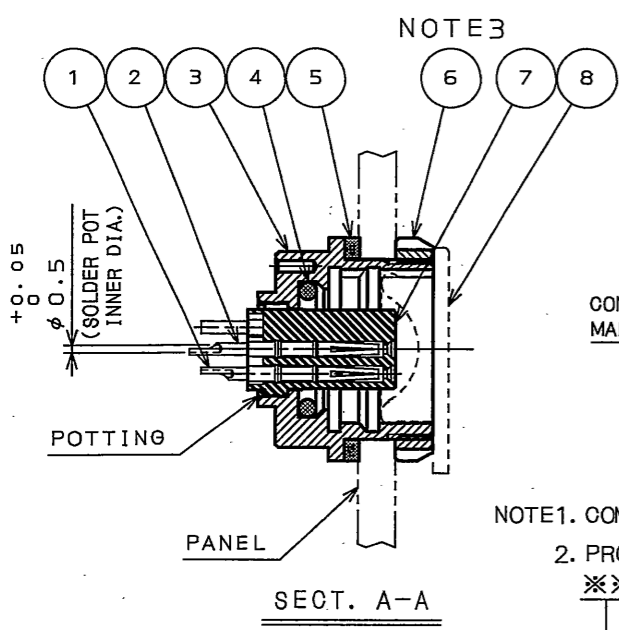


TABLE-1 (NOTE3)

No.	ASSEMBLY NUT COLOR INDICATION
0	NONE
1	BLACK
2	BLUE
3	RED
4	YELLOW

SPECIFICATION

NUMBER OF CONTACT	: 8
RATED VOLTAGE	: 200VAC
RATED CURRENT	: 2A MAX per CONTACT
DIELECTRIC WITHSTANDING VOLTAGE	: 750VAC (INITIAL)
INSULATION RESISTANCE	: 1000MΩ MIN (AT 500VDC, INITIAL)
APPLICABLE WIRE	: AWG#28 MAX
WATERPROOF	: IP68 (MATED AND UNMATED)

仕様

芯数	: 8芯
定格電圧	: 200VAC
定格電流	: 2A以下/1芯
耐電圧	: 750VAC (初期値)
絶縁抵抗	: 1000MΩ以上 (500VDCにて、初期値)
適用電線	: AWG#28以下
防水性能	: IP68 (単体及び嵌合時)

- NOTE1. COMPANY LOGO "JAE" APPEARS IN THE AREA SHOWN.
2. PRODUCTION LOT NUMBER ARE MARKED AS INDICATED.
*** MANUFACTURER MONTH (1~9, X, Y, Z) (JAN.~SEP., OCT., NOV., DEC.)
MANUFACTURER YEAR ('05, '06, '07, ...)
3. TABLE-1 INDICATES THE COLOR OF THE ASSEMBLY NUT. No. "0" INDICATES NO COLOR INDICATION. THE STANDARD TYPE WOULD BE No. "0" (NO COLOR CODE).
4. RECOMMENDED TORQUE FOR ASSEMBLY NUT: 0.6~0.8Nm. PLEASE APPLY "LOCTITE" OR SIMILAR MATERIAL TO PREVENT THREAD LOOSENING.
- 注1. 図示の位置に社名を表示する。【JAE】
2. 図示の位置に製造ロットNo.を表示する。
*** 製造月 (1~9月, X: 10月, Y: 11月, Z: 12月)
製造年 ('05, '06, '07, ...)
3. TABLE-1はアセンブリナットのカラー表示を示す。No. "0"はカラー表示が無いことを示す。尚、標準品はNo. "0" (カラー表示無し)となる。
4. アセンブリナット締付け推奨トルク: 0.6~0.8Nm。尚、緩み止めとして "LOCTITE"又は相当品をご使用下さい。

8	DUST CAP	1	SYNTHETIC RUBBER	---	
7	INSULATOR	1	SYNTHETIC RESIN	---	
6	ASSEMBLY NUT	1	COPPER ALLOY	CHROMIUM PLATING	(NOTE3,4)
5	GASKET	1	SYNTHETIC RUBBER	---	
4	"O" RING	1	SYNTHETIC RUBBER	---	
3	SHELL	1	COPPER ALLOY	CHROMIUM PLATING	
2	SOCKET CONTACT-2	1	COPPER ALLOY	GOLD PLATING OVER NICKEL	Au: 0.76μm MIN
1	SOCKET CONTACT-1	7	COPPER ALLOY	GOLD PLATING OVER NICKEL	Au: 0.76μm MIN
符号 NO.	名 DESCRIPTION	個 QTY.	材 MATERIAL	仕 FINISH	備 REMARKS

仕様書 (SPECIFICATION) JAOS-50001 JAHL-50001	第1版 (ORIGINAL DATE) 7.Jun.2005	尺度 (SCALE) 2:1	シリーズ (SERIES) JB5	日本航空電子工業株式会社 JAPAN AVIATION ELECTRONICS INDUSTRY, LTD. JAE
製造 DR.	担当 CHK. T.OKAMURA	名称 (TITLE) JB5CS08FN※0		
公差 (GENERAL TOLERANCE) 寸法 (DIMENSION) 角度 (ANGLES)	査閲 APPD.	JAM NUT RECEPTACLE (SOLDER TYPE)		
承認 APPD. m. maxime	承認 APPD.	質量 (MASS)	図面番号 (DRAWING NO.) SJ104333	

DOF-0-212E(03.08)

