



Chipsmall Limited consists of a professional team with an average of over 10 year of expertise in the distribution of electronic components. Based in Hongkong, we have already established firm and mutual-benefit business relationships with customers from,Europe,America and south Asia,supplying obsolete and hard-to-find components to meet their specific needs.

With the principle of “Quality Parts,Customers Priority,Honest Operation,and Considerate Service”,our business mainly focus on the distribution of electronic components. Line cards we deal with include Microchip,ALPS,ROHM,Xilinx,Pulse,ON,Everlight and Freescale. Main products comprise IC,Modules,Potentiometer,IC Socket,Relay,Connector.Our parts cover such applications as commercial,industrial, and automotives areas.

We are looking forward to setting up business relationship with you and hope to provide you with the best service and solution. Let us make a better world for our industry!



## Contact us

Tel: +86-755-8981 8866 Fax: +86-755-8427 6832

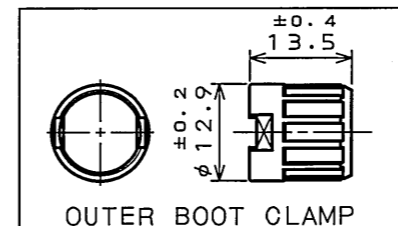
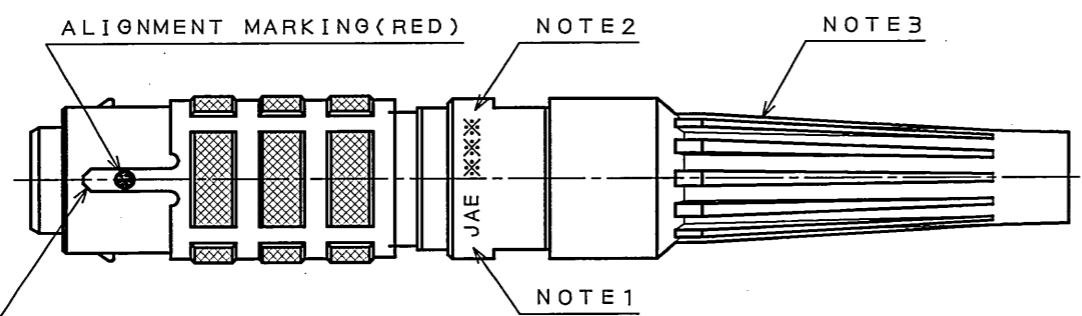
Email & Skype: info@chipsmall.com Web: www.chipsmall.com

Address: A1208, Overseas Decoration Building, #122 Zhenhua RD., Futian, Shenzhen, China



7EE401RS  
(ON 0N1MVRD)各異理図

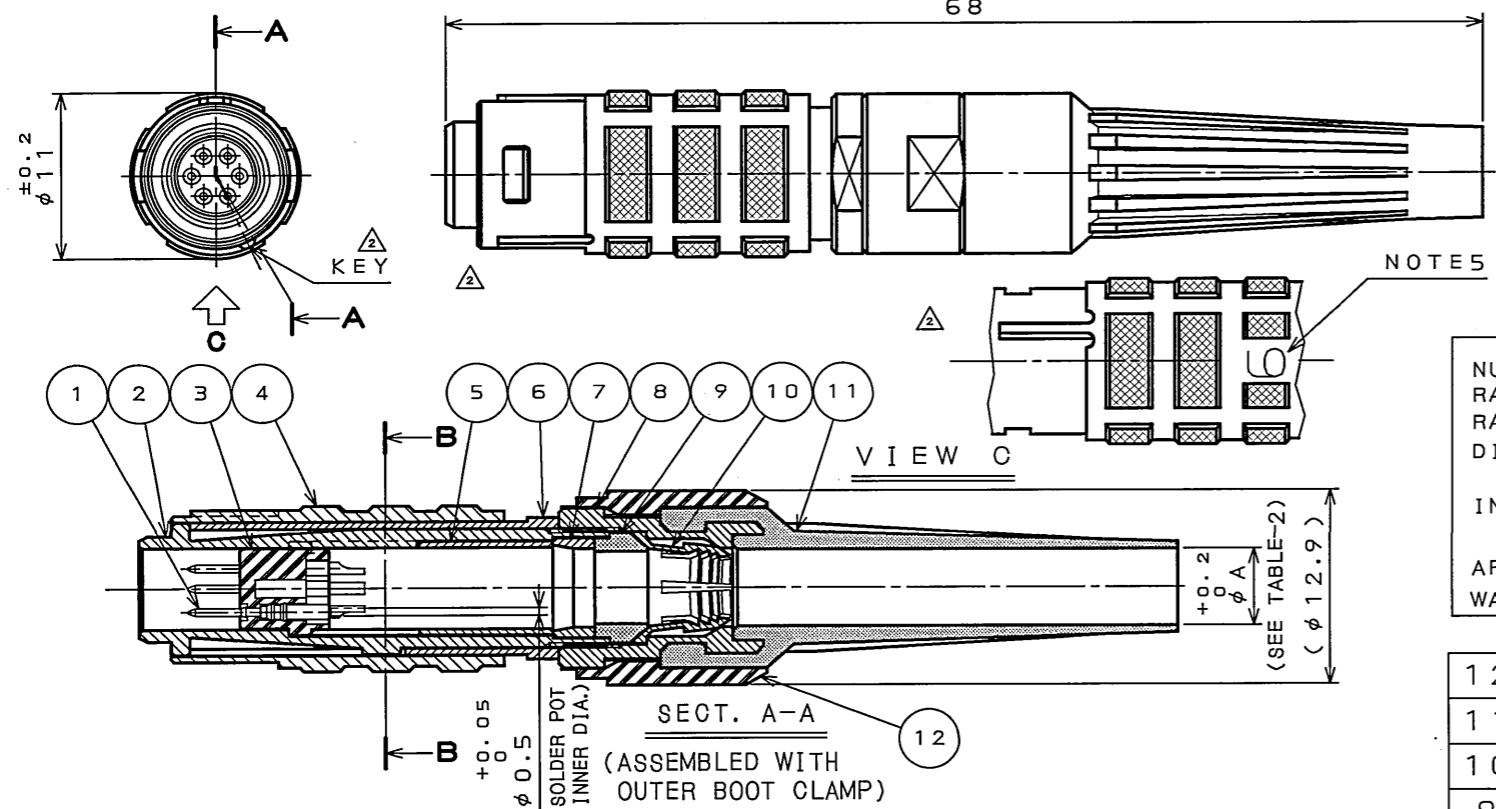
| 版数 REV. | 年月日 DATE    | DCN NO. | 変更内容 DESCRIPTION | 製図 DR. | 担当 CHK.     | 査閲 APPD.    | 承認 APPD.  |
|---------|-------------|---------|------------------|--------|-------------|-------------|-----------|
| 2       | 26.Jan.2007 | 062114  | REVISED FORM     |        | N.SASANO    | E.MATSUMOTO | A.ONOGAWA |
| 3       | 14.May.2007 | 062960  | REVISED TITLE    |        | T.TAKESHITA | E.Matsumoto | A.Onogawa |



DESIGNATION  
命名法

J B 5 D S O 6 M N ※ ※ N

IDENTIFICATION  
識別記号  
APPLICABLE CABLE O.D.(TABLE-2)(NOTE4)  
適合キャブタイヤケーブル外径(TABLE-2)(注4)  
COLOR CODE(TABLE-1)(NOTE3)  
カラーコード(TABLE-1)(注3)  
CONTACT SIZE(N:#26)  
コンタクトサイズ(N:#26)  
TERMINATION (M:SOLDER PIN)  
結線方法(M:半田ヒン)  
NUMBER OF CONTACTS(6 CONTACTS)  
芯数(6芯)  
SHELL SIZE  
シェルサイズ  
MOUNTING CONFIGURATION (D:STRAIGHT PLUG)  
接栓形状(D:ストレートプラグ)  
SERIES  
シリーズ



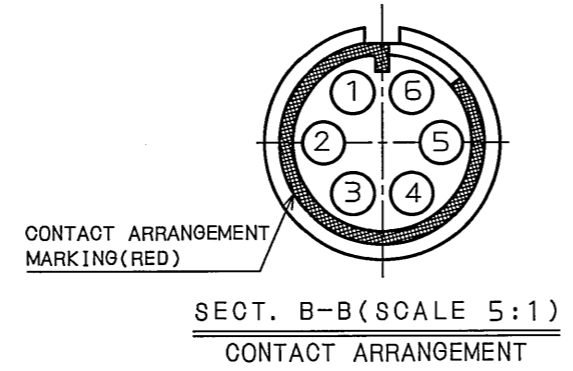
SPECIFICATION

|                                 |                                   |
|---------------------------------|-----------------------------------|
| NUMBER OF CONTACT               | : 6                               |
| RATED VOLTAGE                   | : 200VAC                          |
| RATED CURRENT                   | : 2A MAX per CONTACT              |
| DIELECTRIC WITHSTANDING VOLTAGE | : 750VAC (INITIAL)                |
| INSULATION RESISTANCE           | : 1000MΩ MIN (AT 500VDC, INITIAL) |
| APPLICABLE WIRE                 | : AWG#28 MAX                      |
| WATERPROOF                      | : IP68 (MATED)                    |

仕様

|      |                          |
|------|--------------------------|
| 芯数   | : 6芯                     |
| 定格電圧 | : 200VAC                 |
| 定格電流 | : 2A以下/1芯                |
| 耐電圧  | : 750VAC(初期値)            |
| 絶縁抵抗 | : 1000MΩ以上(500VDCにて、初期値) |
| 適用電線 | : AWG#28以下               |
| 防水性能 | : IP68(嵌合時)              |

NOTE1. COMPANY LOGO "JAE" APPEARS IN THE AREA SHOWN.  
2. PRODUCTION LOT NUMBER ARE MARKED AS INDICATED.  
※※※ MANUFACTURER MONTH (1~9, X, Y, Z)  
(JAN.~SEP., OCT., NOV., DEC.)  
MANUFACTURER YEAR ('05, '06, '07, ...)



3. TABLE-1 SHOWS THE COLOR OF THE BOOT. No. "0" INDICATES (11) BOOT AND (12) OUTER BOOT CLAMP ARE NOT ATTACHED. THE STANDARD TYPE WOULD BE No. "1" (COLOR BLACK).  
4. TABLE-2 INDICATES APPLICABLE CABLE O.D.  
5. NO. OF CONTACTS "6" APPEARS IN THE AREA SHOWN.

注1. 図示の位置に社名を表示する。【JAE】  
2. 図示の位置に製造ロットNo.を表示する。  
※※※ 製造月(1~9月, X:10月, Y:11月, Z:12月)  
製造年('05, '06, '07, ...)  
3. TABLE-1はブーツの色相を示す。No. "0"は (11) ブーツ及び (12) アウターブーツクランプが添付されないことを示す。尚、標準品はNo. "1" (色相: 黒)となる。  
4. TABLE-2は適合キャブタイヤケーブル外径を示す。  
5. 図示の位置に芯数を表示する。【6】

TABLE-1 (NOTE3)

| No. | BOOT COLOR |
|-----|------------|
| 0   | NONE       |
| 1   | BLACK      |
| 2   | BLUE       |
| 3   | RED        |
| 4   | YELLOW     |

TABLE-2 (NOTE4)

| No. | APPLICABLE CABLE O.D. | φA   |
|-----|-----------------------|------|
| 1   | φ4.5~φ5.0             | φ5.1 |

| 12 | OUTER BOOT CLAMP | 1 | SYNTHETIC RESIN  | —                        | ATTACHED PARTS |
|----|------------------|---|------------------|--------------------------|----------------|
| 11 | BOOT             | 1 | ELASTOMER        | —                        | (NOTE3)        |
| 10 | CLAMP            | 1 | COPPER ALLOY     | NICKEL PLATING           |                |
| 9  | BUSHING          | 1 | SYNTHETIC RUBBER | —                        |                |
| 8  | GRAND NUT        | 1 | COPPER ALLOY     | CHROMIUM PLATING         |                |
| 7  | SHIELD SLEEVE    | 1 | COPPER ALLOY     | NICKEL PLATING           |                |
| 6  | SPRING           | 1 | COPPER ALLOY     | NICKEL PLATING           |                |
| 5  | SPACER           | 1 | COPPER ALLOY     | NICKEL PLATING           |                |
| 4  | COUPLING NUT     | 1 | ZINC ALLOY       | CHROMIUM PLATING         |                |
| 3  | INSULATOR        | 1 | SYNTHETIC RESIN  | —                        |                |
| 2  | BARREL           | 1 | ZINC ALLOY       | NICKEL PLATING           |                |
| 1  | PIN CONTACT      | 6 | COPPER ALLOY     | GOLD PLATING OVER NICKEL | Au: 0.76μm MIN |

| 符号 NO.   | 名称 DESCRIPTION | 個数 QTY. | 材料 MATERIAL | 仕上 FINISH | 備考 REMARKS |
|--|----------------|---------|-------------|-----------|------------|
| 仕様書(SPECIFICATION) JAGS-50001-1 JAHL-50001-1           |                |         |             |           |            |
| 第1版(ORIGINAL DATE) 7.Jun.2005                          |                |         |             |           |            |
| 尺度(SCALE) 2:1  |                |         |             |           |            |
| シリーズ(SERIES) JB5                                       |                |         |             |           |            |
| 名称(TITLE) JB5DSO6MN※※N                                 |                |         |             |           |            |
| STRAIGHT PLUG  |                |         |             |           |            |
| 質量(MASS)   |                |         |             |           |            |
| 日本航空電子工業株式会社 JAPAN AVIATION ELECTRONICS INDUSTRY, LTD. |                |         |             |           |            |
| 図面番号(DRAWING NO.) SJ104332                             |                |         |             |           |            |
| 版数(REV.) 3   |                |         |             |           |            |