



Chipsmall Limited consists of a professional team with an average of over 10 year of expertise in the distribution of electronic components. Based in Hongkong, we have already established firm and mutual-benefit business relationships with customers from,Europe,America and south Asia,supplying obsolete and hard-to-find components to meet their specific needs.

With the principle of “Quality Parts,Customers Priority,Honest Operation,and Considerate Service”,our business mainly focus on the distribution of electronic components. Line cards we deal with include Microchip,ALPS,ROHM,Xilinx,Pulse,ON,Everlight and Freescale. Main products comprise IC,Modules,Potentiometer,IC Socket,Relay,Connector.Our parts cover such applications as commercial,industrial, and automotives areas.

We are looking forward to setting up business relationship with you and hope to provide you with the best service and solution. Let us make a better world for our industry!



Contact us

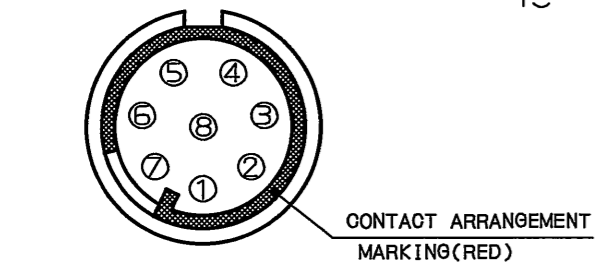
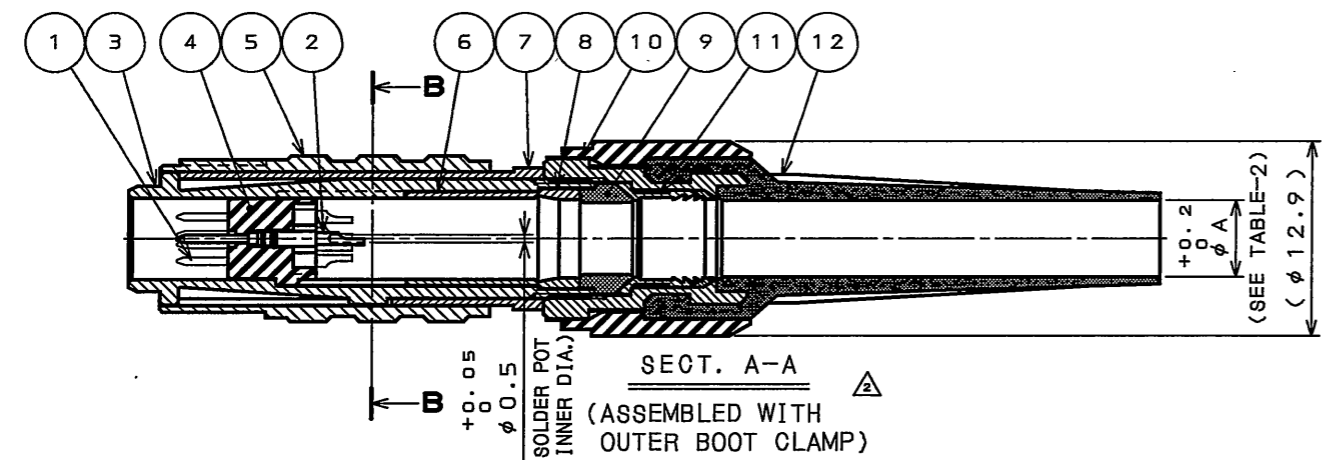
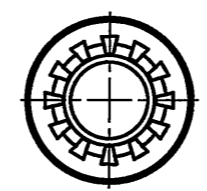
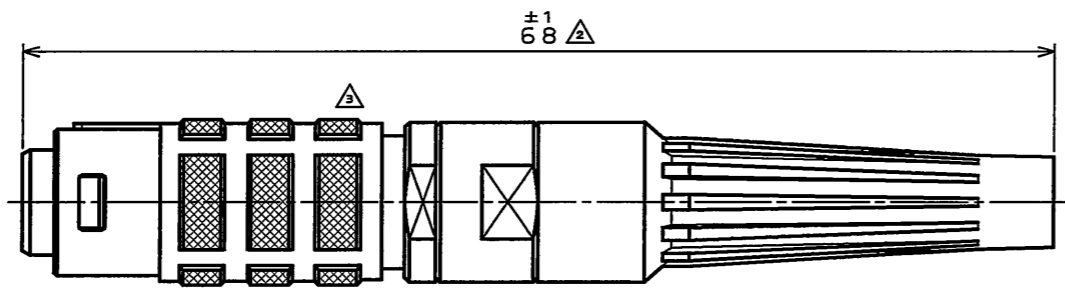
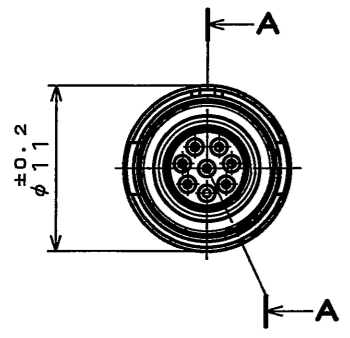
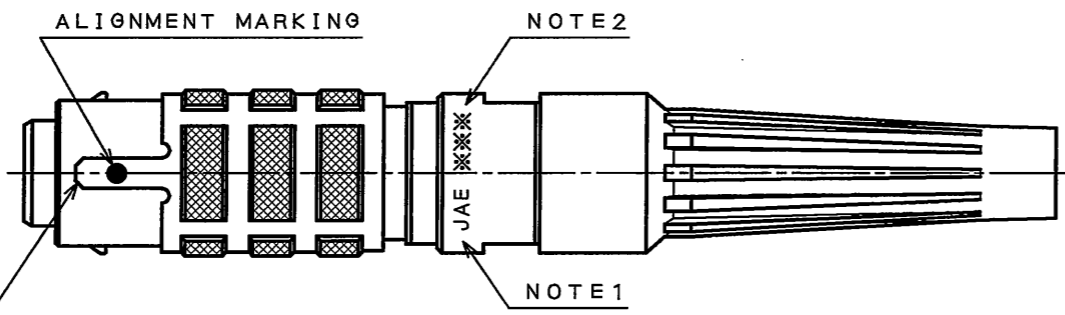
Tel: +86-755-8981 8866 Fax: +86-755-8427 6832

Email & Skype: info@chipsmall.com Web: www.chipsmall.com

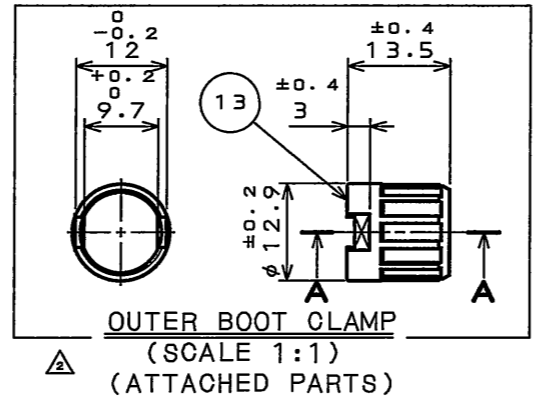
Address: A1208, Overseas Decoration Building, #122 Zhenhua RD., Futian, Shenzhen, China



L90001RS
(ON ENIMVHD) 台票印図



DETAIL B (SCALE 5:1)
CONTACT ARRANGEMENT



OUTER BOOT CLAMP
(SCALE 1:1)
(ATTACHED PARTS)

NOTE 1. COMPANY LOGO "JAE" APPEARS IN THE AREA SHOWN.
2. PRODUCTION LOT NUMBER ARE MARKED AS INDICATED.

*** MANUFACTURER MONTH (1~9, X, Y, Z)
(JAN.~SEP., OCT., NOV., DEC.)
*** MANUFACTURER YEAR ('03, '04, '05, ...)
注1. 図示の位置に社名を表示する。【JAE】
2. 図示の位置に製造ロットNo. を表示する。
*** 製造月 (1~9月, X:10月, Y:11月, Z:12月)
*** 製造年 ('03, '04, '05, ...)

TABLE-1

No.	COLOR
1	BLACK
2	BLUE
3	RED
4	YELLOW

TABLE-2

No.	APPLICABLE CABLE O.D.	φA
0	NONE	—
1	φ4.5~φ5.0	φ5.1

版数 REV.	年月日 DATE	DCN NO.	変更内容 DESCRIPTION	製図 DR.	担当 CHK.	査閲 APPD.	承認 APPD.
2	17.Dec.2003	054034	CHANGED DESIGNATION AND COMPONENT	—	T.SHIMOYAMA	—	S.NANAO
3	29.Aug.2005	058157	CHANGED DESIGNATION AND MATERIAL	—	T.OKAMURA	—	A. Onogawa

DESIGNATION
命名法
JB5DS08MN**

- APPLICABLE CABLE O.D.(SEE TABLE-2)
適合キャブタイヤケーブル外径(TABLE-2)
- BOOT COLOR(SEE TABLE-1)
ブーツ色相(TABLE-1)
- CONTACT SIZE(N:#26)
コンタクトサイズ(N:#26)
- TERMINATION (M:SOLDER TYPE)
結線方法(M:半田結線)
- NUMBER OF CONTACTS(8 CONTACTS)
芯数(8芯)
- SHELL SIZE
シェルサイズ
- MOUNTING CONFIGURATION
(D:STRAIGHT PLUG)
接栓形状(D:ストレートプラグ)
- SERIES
シリーズ

SPECIFICATION

NUMBER OF CONTACT	: 8
RATED VOLTAGE	: 200VAC
RATED CURRENT	: 2A MAX per CONTACT
DIELECTRIC WITHSTANDING VOLTAGE	: 750VAC(INITIAL)
INSURATION RESISTANCE	: 1000MΩ MIN (AT 500VDC, INITIAL)
APPLICABLE WIRE	: AWG#28 MAX
WATERPROOF	: IP68(MATED)

仕様

芯数	: 8芯
定格電圧	: 200VAC
定格電流	: 2A以下/1芯
耐電圧	: 750VAC(初期値)
絶縁抵抗	: 1000MΩ以上(500VDCにて、初期値)
適用電線	: AWG#28 以下
防水性能	: IP68(嵌合時)

△	品番	数量	材質	仕上	備考
	13	1	SYNTHETIC RESIN	—	ATTACHED PARTS
	12	1	ELASTOMER	—	
	11	1	COPPER ALLOY	NICKEL PLATING	
	10	1	COPPER ALLOY	CHROMIUM PLATING	
	9	1	SYNTHETIC RUBBER	—	
	8	1	COPPER ALLOY	NICKEL PLATING	
	7	1	COPPER ALLOY	NICKEL PLATING	
	6	1	COPPER ALLOY	NICKEL PLATING	
	5	1	ZINC ALLOY △	CHROMIUM PLATING	
	4	1	SYNTHETIC RESIN	—	
	3	1	ZINC ALLOY	NICKEL PLATING	
	2	1	COPPER ALLOY	GOLD PLATING OVER NICKEL	Au:0.76μm MIN
	1	7	COPPER ALLOY	GOLD PLATING OVER NICKEL	Au:0.76μm MIN

仕様書(SPECIFICATION) JACS-50001 △ J AHL-50001	第1版(ORIGINAL DATE) 26.Aug.2003	尺度(SCALE) 2:1	シリーズ(SERIES) JB5	日本航空電子工業株式会社 JAPAN AVIATION ELECTRONICS INDUSTRY, LTD.
製図 DR.	担当 CHK. T.SHIMOYAMA T.OKAMURA	名称(TITLE) JB5DS08MN** △	図面番号(DRAWING NO.) SJ100061	版数(REV.) 3
公差(GENERAL TOLERANCE) 寸法(DIMENSION) 角度(ANGLES)	査閲 APPD.	質量(MASS)	JAE CONNECTOR DIV. PROPRIETARY. COPYRIGHT (C) 2003, JAPAN AVIATION ELECTRONICS INDUSTRY, LTD.	
. ±0.8 .X ±0.4 .XX ±0.1 .XXX ±	承認 APPD. S.NANAO			

DOF-0-212E(03.08)

