



Chipsmall Limited consists of a professional team with an average of over 10 year of expertise in the distribution of electronic components. Based in Hongkong, we have already established firm and mutual-benefit business relationships with customers from,Europe,America and south Asia,supplying obsolete and hard-to-find components to meet their specific needs.

With the principle of “Quality Parts,Customers Priority,Honest Operation,and Considerate Service”,our business mainly focus on the distribution of electronic components. Line cards we deal with include Microchip,ALPS,ROHM,Xilinx,Pulse,ON,Everlight and Freescale. Main products comprise IC,Modules,Potentiometer,IC Socket,Relay,Connector.Our parts cover such applications as commercial,industrial, and automotives areas.

We are looking forward to setting up business relationship with you and hope to provide you with the best service and solution. Let us make a better world for our industry!



## Contact us

Tel: +86-755-8981 8866 Fax: +86-755-8427 6832

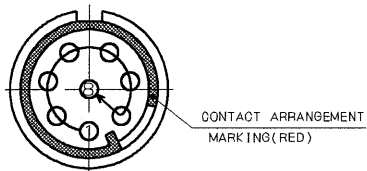
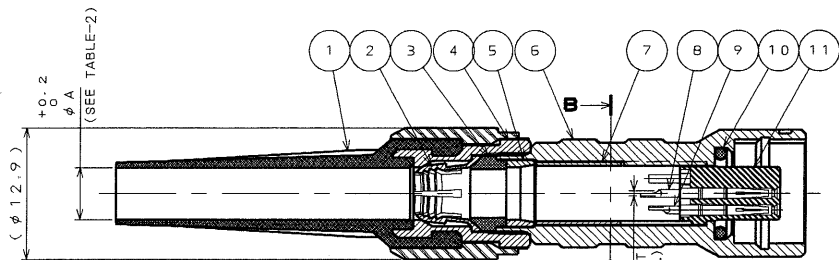
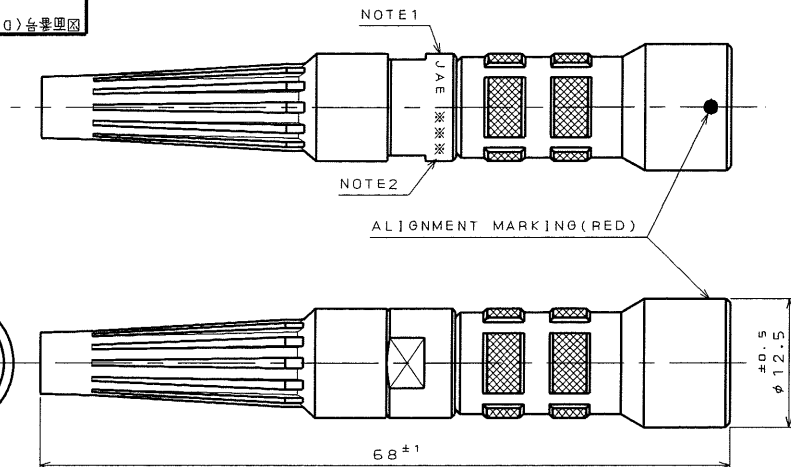
Email & Skype: info@chipsmall.com Web: www.chipsmall.com

Address: A1208, Overseas Decoration Building, #122 Zhenhua RD., Futian, Shenzhen, China

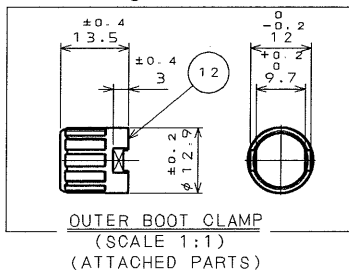


SP05-16399-K01

(DRAWING NO.) 図番



DETAIL B (SCALE 5:1)  
CONTACT ARRANGEMENT



NOTE1. COMPANY LOGO "JAE" APPEARS IN THE AREA SHOWN.  
2. PRODUCTION LOT NUMBER ARE MARKED AS INDICATED.

MANUFACTURER MONTH (1~9, X, Y, Z)  
(JAN.~SEP., OCT., NOV., DEC.)  
MANUFACTURER YEAR ('03, '04, '05, ...)

注1. 図示の位置に社名を表示する。【JAE】  
2. 図示の位置に製造ロットNo. を表示する。

製造月 (1~9月, X:10月, Y:11月, Z:12月)  
製造年 ('03, '04, '05, ...)

TABLE-1

No.	COLOR
1	BLACK
2	BLUE
3	RED
4	YELLOW

TABLE-2

No.	APPLICABLE CABLE O.D.	φ A
0	NONE	—
1	φ 4.5~φ 5.0	φ 5.1

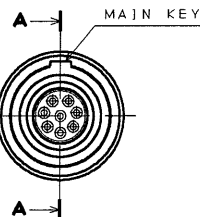
版数 REV.	年月日 DATE	DGN NO.	変更内容 DESCRIPTION	製図 DR.	担当 CHK.	査閲 APPD.	承認 APPD.

DESIGNATION

命名法

J B 5 H S O 8 F N ※ ※

- APPLICABLE CABLE O.D. (SEE TABLE-2)  
適合ケーブルケーブル外径 (TABLE-2)
- BOOT COLOR (SEE TABLE-1)  
ブーツ色相 (TABLE-1)
- CONTACT SIZE (N: #26)  
コンタクトサイズ' (N: #26)
- TERMINATION (F: SOLDER TYPE/SOCKET)  
結線方法 (F: 半田結線/ソケット)
- NUMBER OF CONTACTS (8 CONTACTS)  
芯数 (8芯)
- SHELL SIZE  
シェルサイズ
- MOUNTING CONFIGURATION  
(H: STRAIGHT RECEPTACLE PLUG)  
接栓形状 (H: ストレートレセプタクルプラグ)
- SERIES  
シリーズ



SPECIFICATION

NUMBER OF CONTACT	: 8
RATED VOLTAGE	: 200VAC
RATED CURRENT	: 2A MAX per CONTACT
DIELECTRIC WITHSTANDING VOLTAGE	: 750VAC (INITIAL)
INSULATION RESISTANCE	: 1000MΩ MIN (AT 500VDC, INITIAL)
APPLICABLE WIRE	: AWG#28 MAX
WATERPROOF	: IP68 (MATED)

仕様

芯数	: 8芯
定格電圧	: 200VAC
定格電流	: 2A以下/1芯
耐電圧	: 750VAC (初期値)
絶縁抵抗	: 1000MΩ以上 (500VDCにて、初期値)
適用電線	: AWG#28 以下
防水性能	: IP68 (嵌合時)

品番	品名	個数	材料	仕上	備考
12	OUTER BOOT CLAMP	1	SYNTHETIC RESIN	—	ATTACHED PARTS
11	INSULATOR	1	SYNTHETIC RESIN	—	
10	"O" RING	1	SYNTHETIC RUBBER	—	
9	SOCKET CONTACT-1	7	COPPER ALLOY	GOLD PLATING OVER NICKEL	Au: 0.76μm MIN
8	SOCKET CONTACT-2	1	COPPER ALLOY	GOLD PLATING OVER NICKEL	Au: 0.76μm MIN
7	SPACER	1	COPPER ALLOY	NICKEL PLATING	
6	SHELL	1	ZINC ALLOY	CHROMIUM PLATING	
5	SHIELD SLEEVE	1	COPPER ALLOY	NICKEL PLATING	
4	BUSHING	1	SYNTHETIC RUBBER	—	
3	GRAND NUT	1	COPPER ALLOY	CHROMIUM PLATING	
2	CLAMP	1	COPPER ALLOY	NICKEL PLATING	
1	BOOT	1	ELASTOMER	—	

符号 NO.	名称 DESCRIPTION	個数 QTY.	材料 MATERIAL	仕上 FINISH	備考 REMARKS
仕様書 (SPECIFICATION)	JACS-50001	第1版 (ORIGINAL DATE)	8.Aug.2005	尺度 (SCALE)	2:1
シリーズ (SERIES)	JB5	製図 DR.	—	名称 (TITLE)	JBSH508FN**
公差 (GENERAL TOLERANCE)	—	担当 CHK.	H.NISHIOKA T.OKAMURA	(STRAIGHT RELAY RECEPTACLE PLUG)	
寸法 (DIMENSION)	—	査閲 APPD.	—	質量 (MASS)	—
角度 (ANGLES)	—	承認 APPD.	—	—	—
. ± 0.8	×° ±	承認 APPD.	—	—	—
. × ± 0.4	××° ±	承認 APPD.	—	—	—
. ×× ± 0.1	—	承認 APPD.	—	—	—
. ××× ±	—	承認 APPD.	—	—	—

日本航空電子工業株式会社  
JAPAN AVIATION  
ELECTRONICS  
INDUSTRY, LTD.

図面番号 (DRAWING NO.)

SP05-16399-K01

版数 (REV.)

1