



Chipsmall Limited consists of a professional team with an average of over 10 year of expertise in the distribution of electronic components. Based in Hongkong, we have already established firm and mutual-benefit business relationships with customers from,Europe,America and south Asia,supplying obsolete and hard-to-find components to meet their specific needs.

With the principle of "Quality Parts,Customers Priority,Honest Operation,and Considerate Service",our business mainly focus on the distribution of electronic components. Line cards we deal with include Microchip,ALPS,ROHM,Xilinx,Pulse,ON,Everlight and Freescale. Main products comprise IC,Modules,Potentiometer,IC Socket,Relay,Connector.Our parts cover such applications as commercial,industrial, and automotives areas.

We are looking forward to setting up business relationship with you and hope to provide you with the best service and solution. Let us make a better world for our industry!



## Contact us

Tel: +86-755-8981 8866 Fax: +86-755-8427 6832

Email & Skype: info@chipsmall.com Web: www.chipsmall.com

Address: A1208, Overseas Decoration Building, #122 Zhenhua RD., Futian, Shenzhen, China



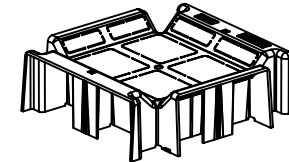
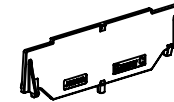
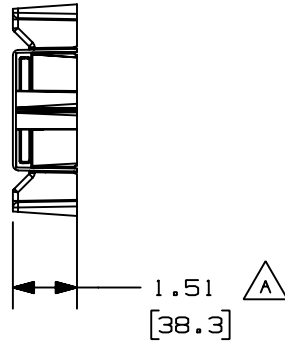
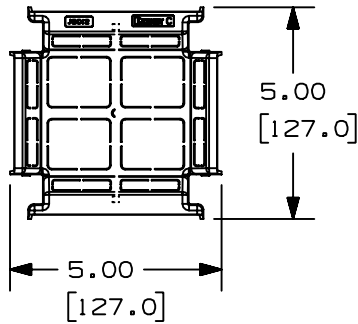
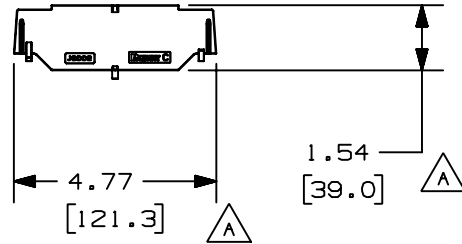
THIS COPY IS PROVIDED ON A RESTRICTED BASIS AND IS NOT TO BE USED IN ANY WAY DETRIMENTAL TO THE INTERESTS OF PANDUIT CORP.

PANDUIT P/N	WEIGHT
JBD2	1.83 LB/10 PCS (830 g/10 PCS)



NOTES:

1. SEE CURRENT CATALOG FOR ADDITIONAL PART SUFFIXES TO INDICATE COLOR AND OR PACKAGE QUANTITY.
2. BREAKOUTS FOR MAINTAINING POWER AND DATA ENTRY SEPARATION AND ROUTING.
3. DIVIDER PROVIDES POWER AND DATA SEPARATION IMMEDIATELY FROM RACEWAY.
4. DIMENSIONS IN PARENTHESES ARE IN METRIC.



CAD FILENAME/LAYERS		D35713BD_DC_JBP2D_02	
<h1>PANDUIT</h1> CORP. TINLEY PARK, ILLINOIS			
PAN-WAY 2 GANG DIVIDED INSERT FOR DEEP JUNCTION BOX (JBD2) CUSTOMER DRAWING			
UNLESS OTHERWISE SPECIFIED, DIMENSIONAL TOLERANCES ARE: (.X) ± (.XXX) ± (.XX) ± .03(.8) ANGLES ±		UNLESS OTHERWISE SPECIFIED, ALL DIMENSIONS ARE GIVEN IN INCHES, THIRD ANGLE PROJECTION.	
2	1-19-00	JHNU LD	B. PART WEIGHT WAS 1.3 LB./10 PCS.
1	1-14-00	JHNU HIW	A. REV'D INSERT AND DIVIDER TO ACCOMODATE T45 RACEWAY
R	10-27-97	DW HIW	RELEASED TO PRODUCTION.
REV	DATE	BY	CHK
ECN	CHK	CUST	SUP
DRAWN BY DW		MAT'L: POLYSTYRENE	
DATE 10-27-97		SCALE NONE	
CHECKED BY HIW		DRAWING NO. 35713-04	
		DWG A	
		SIZE	