



Chipsmall Limited consists of a professional team with an average of over 10 year of expertise in the distribution of electronic components. Based in Hongkong, we have already established firm and mutual-benefit business relationships with customers from,Europe,America and south Asia,supplying obsolete and hard-to-find components to meet their specific needs.

With the principle of “Quality Parts,Customers Priority,Honest Operation,and Considerate Service”,our business mainly focus on the distribution of electronic components. Line cards we deal with include Microchip,ALPS,ROHM,Xilinx,Pulse,ON,Everlight and Freescale. Main products comprise IC,Modules,Potentiometer,IC Socket,Relay,Connector.Our parts cover such applications as commercial,industrial, and automotives areas.

We are looking forward to setting up business relationship with you and hope to provide you with the best service and solution. Let us make a better world for our industry!



## Contact us

Tel: +86-755-8981 8866 Fax: +86-755-8427 6832

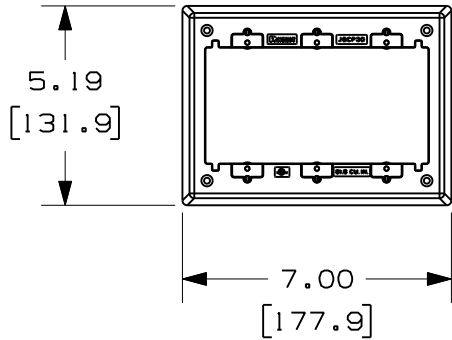
Email & Skype: info@chipsmall.com Web: www.chipsmall.com

Address: A1208, Overseas Decoration Building, #122 Zhenhua RD., Futian, Shenzhen, China

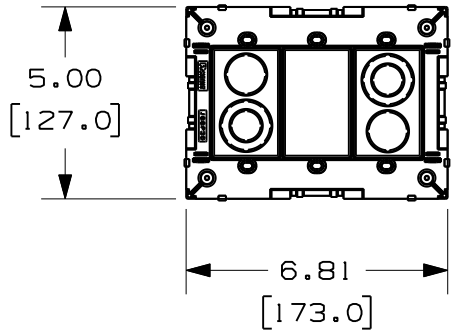
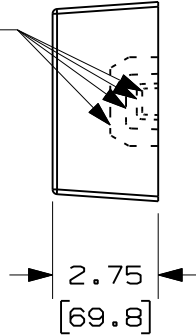


THIS COPY IS PROVIDED ON A RESTRICTED BASIS AND IS NOT TO BE USED IN ANY WAY DETRIMENTAL TO THE INTERESTS OF PANDUIT CORP.

PANDUIT PART NUMBER	WEIGHT	VOLUME CU. IN./CC
JBP3D	$\triangle A$ 0.57 LB/PC 257.5 g/PC	81.6 (1337)

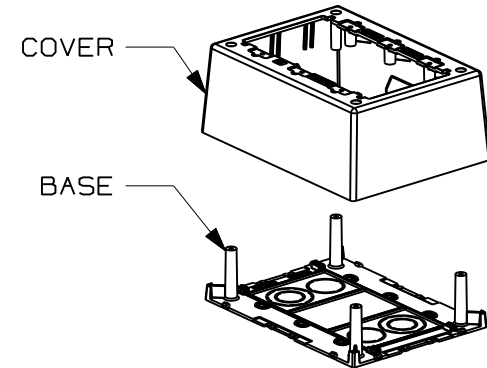


BREAKOUTS  
SEE NOTE 3



**NOTES:**

1. SEE CURRENT CATALOG FOR ADDITIONAL PART SUFFIXES TO INDICATE COLOR AND OR PACKAGE QUANTITY.
2. CONCENTRIC BREAKOUTS TO ACCOMMODATE CONDUIT SIZES OF 1/2", 3/4", AND 1" DIAMETERS.
3. BREAKOUTS ARE PROVIDED ON ALL FOUR SIDES OF COVER FOR T45, LDS, PD, LDPH & LD RACEWAYS.
4. DIMENSIONS IN PARENTHESES ARE IN METRIC.



CAD FILENAME/LAYERS 10Y003BA\_DC\_JBP3D/00B

**PANDUIT** CORP. TINLEY PARK, ILLINOIS  
**PAN-WAY 3 GANG DEEP  
 JUNCTION BOX (JBP3D)**  
 CUSTOMER DRAWING

UNLESS OTHERWISE SPECIFIED,  
 DIMENSIONAL TOLERANCES ARE:

(.XX) ± .03 [.8]  
 (.XXX) ± .005 [.127]  
 ANGLES ±

UNLESS OTHERWISE SPECIFIED, ALL  
 DIMENSIONS ARE GIVEN IN INCHES,  
 THIRD ANGLE PROJECTION

REV	DATE	BY	CHK	DESCRIPTION	ECN	CHK	CUST	SUP
--	-----	----	----	RELEASED TO PRODUCTION	-----	----	----	
1	06.03.11	RMHI	RMHI	A. PART WEIGHT EST REVISED TO ACTUALS	10Y003BA-DC	RMHI	RTF1	
R	03.17.11	BDK	RMHI	DRAWING RELEASED				

DRAWN BY	BDK	MAT'L/COLOR:	PVC	SCALE	N.T.S.	
DATE	03.17.11			DRAWING NO.	10Y003BA-DC	DWG SIZE
CK'D	RMHI					A