



Chipsmall Limited consists of a professional team with an average of over 10 year of expertise in the distribution of electronic components. Based in Hongkong, we have already established firm and mutual-benefit business relationships with customers from,Europe,America and south Asia,supplying obsolete and hard-to-find components to meet their specific needs.

With the principle of “Quality Parts,Customers Priority,Honest Operation,and Considerate Service”,our business mainly focus on the distribution of electronic components. Line cards we deal with include Microchip,ALPS,ROHM,Xilinx,Pulse,ON,Everlight and Freescale. Main products comprise IC,Modules,Potentiometer,IC Socket,Relay,Connector.Our parts cover such applications as commercial,industrial, and automotives areas.

We are looking forward to setting up business relationship with you and hope to provide you with the best service and solution. Let us make a better world for our industry!



## Contact us

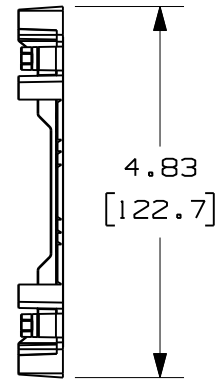
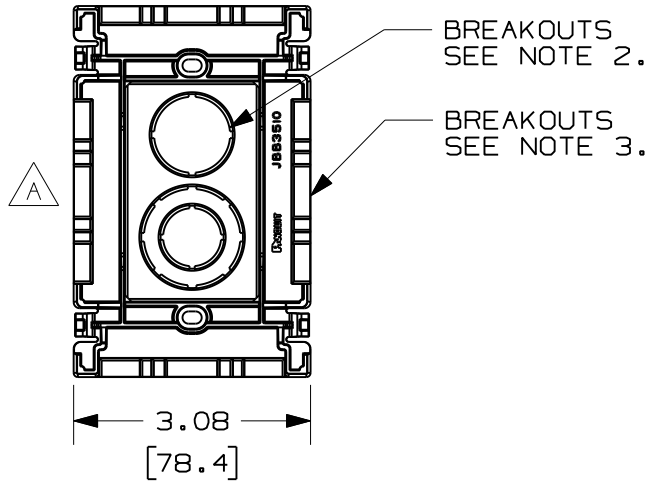
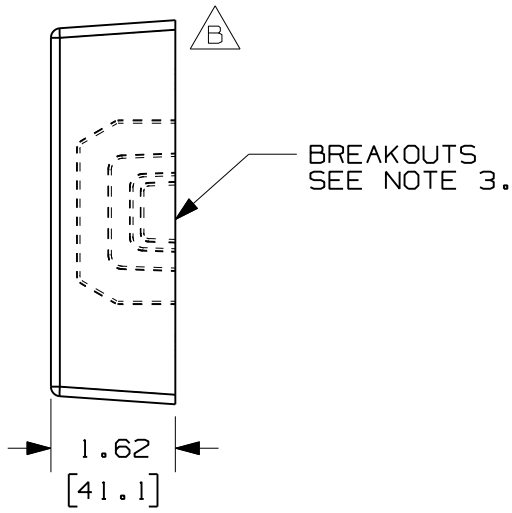
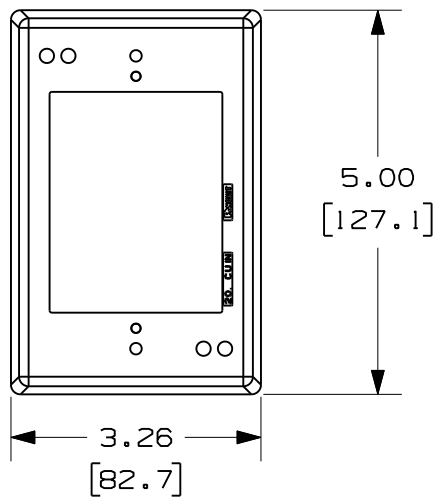
Tel: +86-755-8981 8866 Fax: +86-755-8427 6832

Email & Skype: info@chipsmall.com Web: www.chipsmall.com

Address: A1208, Overseas Decoration Building, #122 Zhenhua RD., Futian, Shenzhen, China



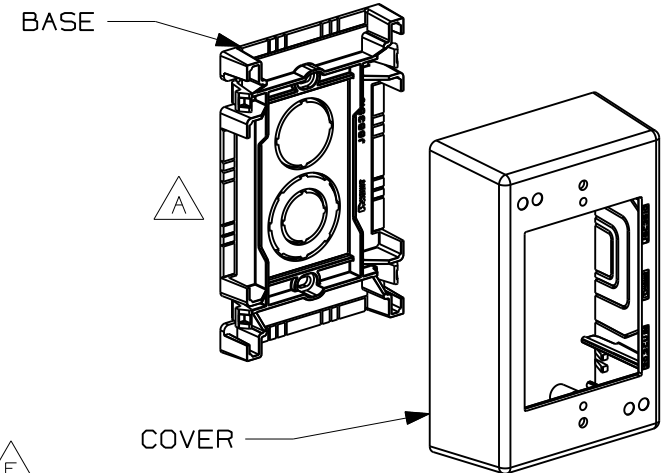
THIS COPY IS PROVIDED ON A RESTRICTED BASIS AND IS NOT TO BE USED IN ANY WAY DETRIMENTAL TO THE INTERESTS OF PANDUIT CORP.



PANDUIT P/N	WEIGHT	VOLUME CU. IN./CC
JBX3510	0.21 LB/PC. (96.6g/PC.)	19.9 [326]

**NOTES:**

- SEE CURRENT CATALOG FOR ADDITIONAL PART SUFFIXES TO INDICATE COLOR AND OR PACKAGE QUANTITY.
- BREAKOUTS TO ACCOMMODATE CONDUIT SIZES OF 1/2", 3/4", AND 1" DIAMETERS.
- BREAKOUTS ARE PROVIDED FOR PD, LD, LDPH, LDS, AND T-45 RACEWAYS.
- COVER IS EXTENDED OUT AND DOWN AROUND SIDES OF BASE WHEN ASSEMBLED.
- DIMENSIONS IN PARENTHESIS ARE METRIC.



CAD FILENAME/LAYERS D37031AD\_DC\_JBX3510/01C.prt

REV	DATE	BY	CHK	DESCRIPTION	ECN	CHK	CUST	SUP
3	12.10.09	BDK	RMHI	F. REVISED AND REDRAWN	37031-05	RMHI	RTF1	
2	10-29-01	JBN	RGRO	E. POLYSTYRENE WAS N/A	37031-05	RGRO	RGRO	
-	-	-	-	D. REVISED NOTE #2 AND #3 C. REVISED TOLERANCE: WAS .8	-	-	-	
1	1-16-01	REWE	RMHI	B. REVISED VIEW TO SHOW BREAKOUTS A. REVISED PART GEOMETRY	37031-05	HIW	HIW	
R	4-17-00	MSO	JAWA	RELEASED TO PRODUCTION	37031-05	HIW	HIW	

**PANDUIT** CORP TINLEY PARK, ILLINOIS

**1 GANG LOW VOLTAGE JUNCTION BOX (JBX3510)**

CUSTOMER DRAWING

UNLESS OTHERWISE SPECIFIED, DIMENSIONAL TOLERANCES ARE:  
 (.X) ± .XXX1 ±  
 (.XX) ± .03 [.8] ANGLES ±

UNLESS OTHERWISE SPECIFIED, ALL DIMENSIONS ARE GIVEN IN INCHES. THIRD ANGLE PROJECTION

DRAWN BY: MSO  
 DATE: 4-17-00  
 CK'D: JAWA

MAT'L/COLOR: POLYSTYRENE

SCALE: NONE  
 DRAWING NO.: 37031-05  
 DWG SIZE: A