



Chipsmall Limited consists of a professional team with an average of over 10 year of expertise in the distribution of electronic components. Based in Hongkong, we have already established firm and mutual-benefit business relationships with customers from,Europe,America and south Asia,supplying obsolete and hard-to-find components to meet their specific needs.

With the principle of "Quality Parts,Customers Priority,Honest Operation,and Considerate Service",our business mainly focus on the distribution of electronic components. Line cards we deal with include Microchip,ALPS,ROHM,Xilinx,Pulse,ON,Everlight and Freescale. Main products comprise IC,Modules,Potentiometer,IC Socket,Relay,Connector.Our parts cover such applications as commercial,industrial, and automotives areas.

We are looking forward to setting up business relationship with you and hope to provide you with the best service and solution. Let us make a better world for our industry!



## Contact us

Tel: +86-755-8981 8866 Fax: +86-755-8427 6832

Email & Skype: info@chipsmall.com Web: www.chipsmall.com

Address: A1208, Overseas Decoration Building, #122 Zhenhua RD., Futian, Shenzhen, China



JCO-0351NL

4


3

2


NOTICE: THE INFORMATION AND DESIGN CONTAINED HEREIN IS THE PROPERTY OF PULSE WHO RESERVES ALL RIGHTS THERETO.

NOTES: UNLESS OTHERWISE SPECIFIED


- 1. THIS COMPONENT CONFORMS TO UL60950. UL FILE NO. IS: E216117.

	<b>WARNING:</b> THIS COMPONENT IS RECOGNIZED BY ONE OR MORE SAFETY AGENCIES SUCH AS UL, VDE, CSA AND/OR TUV. ALL ENGINEERING CHANGES MUST HAVE PRIOR APPROVAL BY THE DESIGN CENTER QUALITY DEPARTMENT FOR SAFETY AGENCY COMPLIANCE.	ECN APPROVAL:
		QA APPROVAL:
		DATE:

- 2.
 

	<b>NOTICE:</b> THIS IS A RoHS COMPLIANT COMPONENT/PRODUCT. ALL ENGINEERING CHANGES MUST HAVE PRIOR APPROVAL BY THE DESIGN CENTER.
---	---

- 3. PLASTIC HOUSING: THERMOPLASTIC MATERIAL WITH FLAMMABILITY RATING UL 94V-0 OR BETTER.
- 4. CONTACT BASE MATERIAL: PHOSPHOR BRONZE.
- 5. CONTACTS UNDERPLATE: 50 MICROINCHES DUCTILE NICKEL.
- 6. CONTACTS PLATING: 30 MICRO-INCH HARD GOLD PLATING.
- 7. SOLDER TAIL PLATING MATERIAL: 100% TIN, MATTE FINISH.
- 8. METAL SHIELD: NICKEL PLATING ON COPPER ALLOY.
- 9. JACK CAVITY CONFORMS TO FCC RULES AND REGULATIONS PART 68 SUBPART F.
- 10. PCB PLATING: EG (TOP PCB)  
ENIG (BOTTOM PCB)
- 11. SOLDERABILITY: CONFORMS TO ANSI/J-STD-002, IPC/EIA J-STD-003A.
- 12. OPERATING TEMPERATURE: 0°C TO +70°C
- 13. STORAGE TEMPERATURE: -20°C TO +125°C
- 14. JEDEC MOISTURE: LEVEL 1.
- 15. REVISION: MX1, MX2, ..... ARE PRELIMINARY.

PULSE CONFIDENTIAL AND PROPRIETARY			
		PRODUCT SPECIFICATION	
TITLE			
CONN, RJ45, 2X2, 1GD, 1:1, TY			
SIZE	CAGE CODE	DWG. NO.	REV.
B	01961	JCO-0351NL	M12
SCALE	CADD FILE	SHEET	1 OF 5
NONE	M-JCO-0351NL-1		

JCO-0351NL 4

NOTICE: THE INFORMATION AND DESIGN CONTAINED HEREIN IS THE PROPERTY OF PULSE WHO RESERVES ALL RIGHTS THERETO.

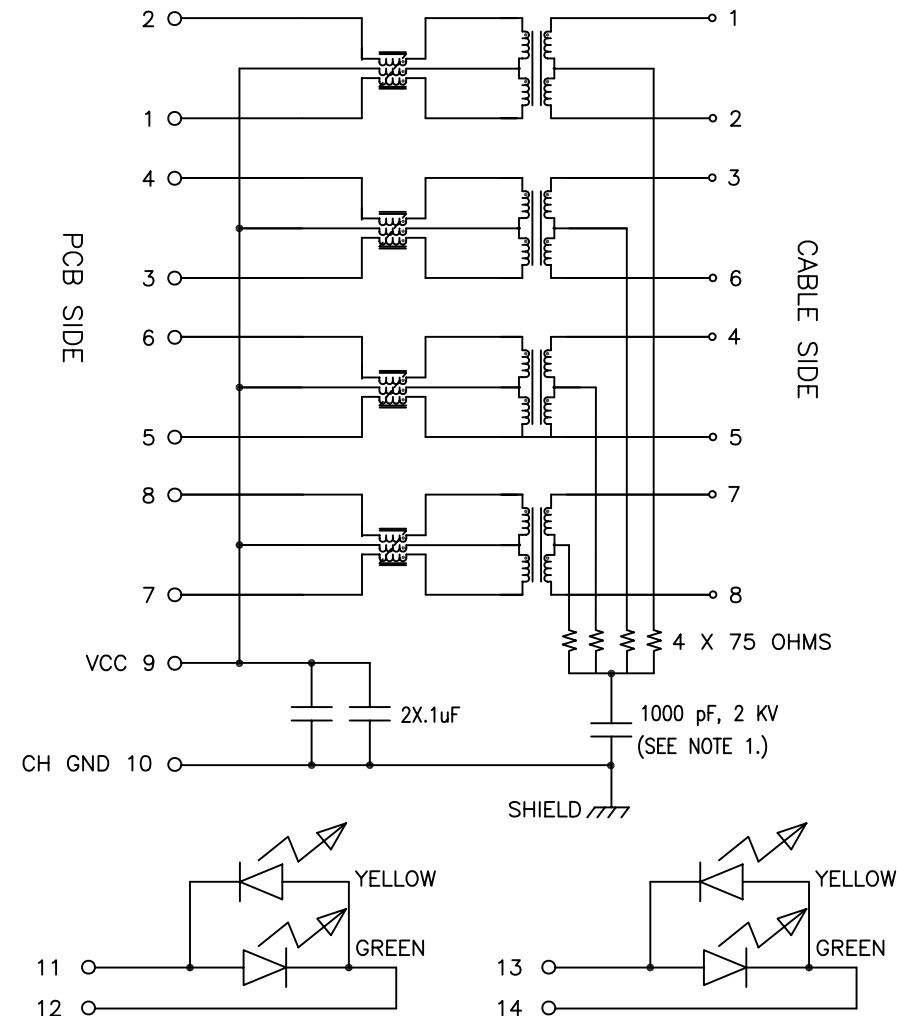
ELECTRICAL CHARACTERISTICS AT +25°C UNLESS OTHERWISE SPECIFIED (FOR REFERENCE ONLY. USED FOR CUSTOMER INFORMATION.)

PARAMETER	SPECIFICATIONS	
OPERATING TEMP	0°C - 70°C	
TURNS RATIO	1.00 ± 2%	
POLARITY	PER SCHEMATIC	
INSERTION LOSS	100 KHz	1-125 MHz
	-1.2 dB MAX	-0.2-0.002*f <sup>1.4</sup> dB MAX
RETURN LOSS (Z OUT = 100 OHM ±15%)	.1-40 MHz	40-100 MHz
	-18 dB MIN	-12+20*LOG <sub>10</sub> (f/80 MHz) dB MIN
INDUCTANCE (OCL) (MEDIA SIDE, 0°C-70°C)	350 uH MIN (MEASURED AT 100 KHz, 100 mVRMS) (AND WITH 8 mA DC BIAS)	
CROSSTALK, ADJACENT CHANNELS	1 MHz	10-100 MHz
	-50 dB MIN	-55+22*LOG <sub>10</sub> (f/10) dB MIN
COMMON MODE REJECTION RATIO	2 MHz	30-200 MHz
	-50 dB MIN	-15+20*LOG <sub>10</sub> (f/200) dB MIN
INPUT - OUTPUT ISOLATION	2250 VDC MIN @ 60 SECONDS	

NOTE: f IS FREQUENCY IN MHz.

EMMITTED COLOR	GREEN	YELLOW
WAVELENGTH (nm)	570 nm	587 nm
BRIGHTNESS (mCD)	8 TYP. AT 20 mA	6.5 TYP. AT 20 mA
VIEWING ANGLE	100°	100°
POWER DISSIPATION (Pd)	80 mW MAX	80 mW MAX
FORWARD VOLTAGE (Vf)	2.0 TO 2.6 V (UPPER PORT)	2.1 TO 2.6 V (UPPER PORT)
	2.2 TO 2.8 V (LOWER PORT)	2.15 TO 2.8 V (LOWER PORT)
REVERSE VOLTAGE (Vr)	5.0 V MAX	5.0 V MAX

NOTE: PER VENDOR'S SPECIFICATIONS



SCHEMATIC EACH PORT (4 PLACES)

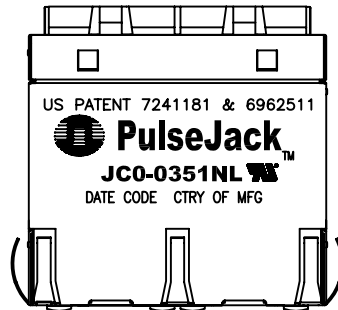
NOTE 1: HIGH-VOLTAGE CAPACITOR IS COMMON FOR UPPER AND LOWER PORTS.

PULSE CONFIDENTIAL AND PROPRIETARY

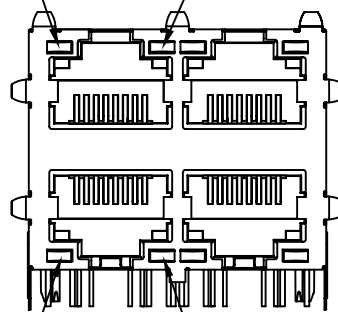
SIZE	CAGE CODE	DWG. NO.	REV.
B	01961	JCO-0351NL	M12
SCALE	CADD FILE	SHEET	
NONE	M-JCO-0351NL-2	2 OF 5	

JCO-0351NL 4

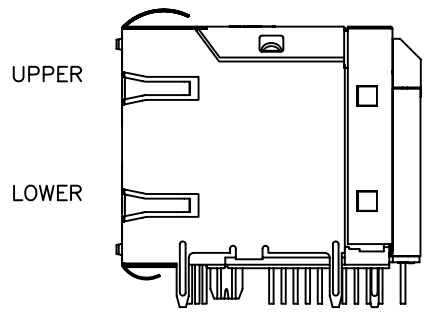
NOTICE: THE INFORMATION AND DESIGN CONTAINED HEREIN IS THE PROPERTY OF PULSE WHO RESERVES ALL RIGHTS THERETO.



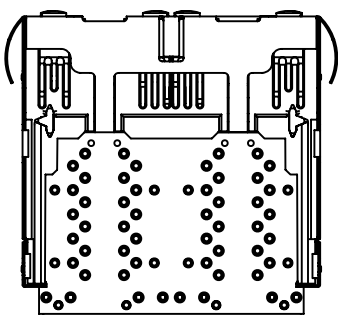
GREEN/YELLOW GREEN/YELLOW



GREEN/YELLOW GREEN/YELLOW



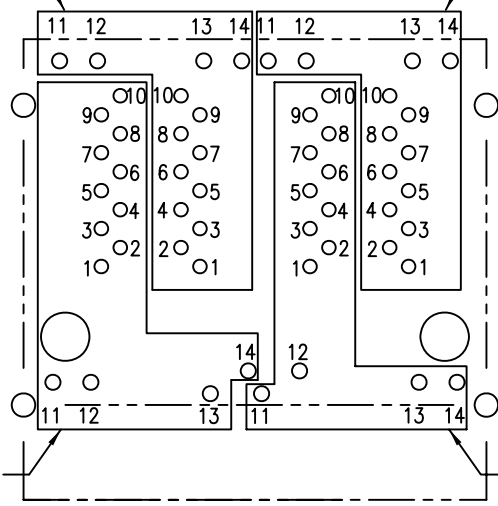
UPPER LOWER



FINAL OUTLINE

UPPER PORT PINS

UPPER PORT PINS



FOOTPRINT (VIEWED FROM TOP SIDE)

LOWER PORT PINS

LOWER PORT PINS

PULSE CONFIDENTIAL AND PROPRIETARY				
SIZE	CAGE CODE	DWG. NO.	REV.	
B	01961	JCO-0351NL	M12	
SCALE	NONE	CADD FILE	M-JCO-0351NL-3	SHEET 3 OF 5

JCO-0351NL

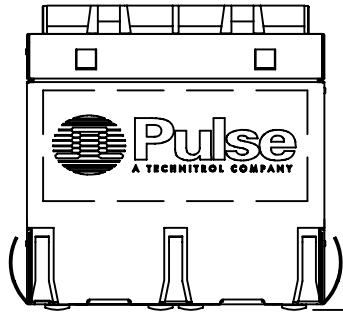
4

3

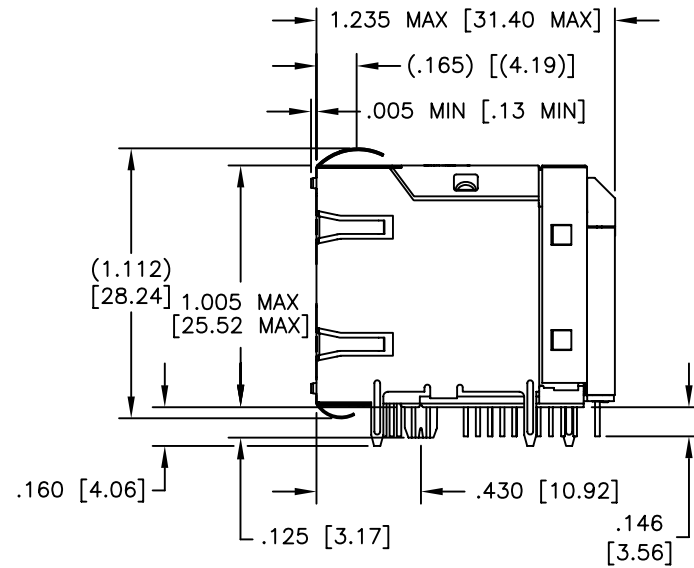
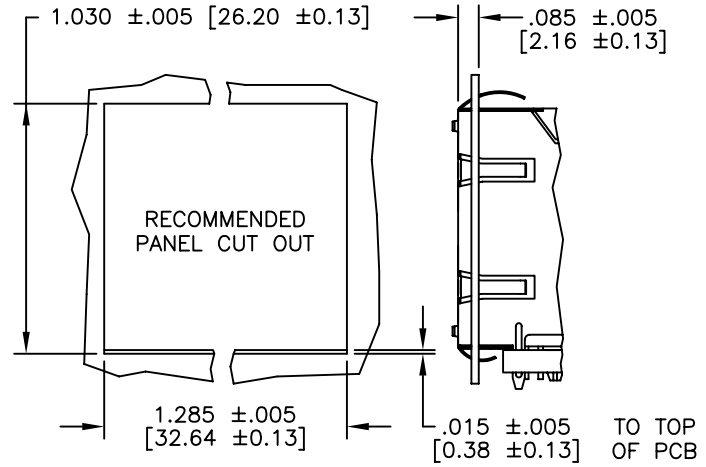
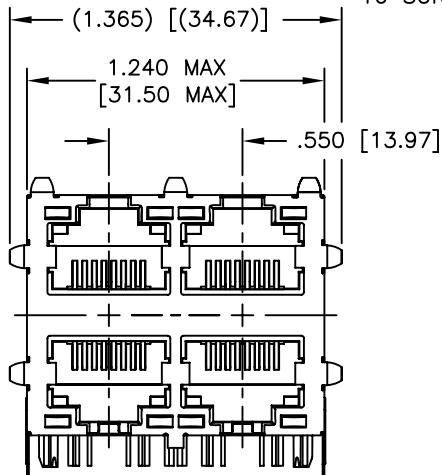
2

1

NOTICE: THE INFORMATION AND DESIGN CONTAINED HEREIN IS THE PROPERTY OF PULSE WHO RESERVES ALL RIGHTS THERETO.



$\frac{1}{16}$  .025 [0.63]  
16 SURFACES



UNLESS OTHERWISE SPECIFIED, ALL DIMENSIONS ARE IN INCHES. TOLERANCES ARE:

DECIMALS: .XX ±.01, .XXX ±.005  
ANGLES: ±

PS-2416.121-A

PULSE CONFIDENTIAL AND PROPRIETARY

SIZE	CAGE CODE	DWG. NO.	REV
B	01961	JCO-0351NL	M12
SCALE	NONE	CADD FILE	M-JCO-0351NL-4
		SHEET	4 OF 5

4

3

2

1

D

D

C

C

B

B

A

A

