



Chipsmall Limited consists of a professional team with an average of over 10 year of expertise in the distribution of electronic components. Based in Hongkong, we have already established firm and mutual-benefit business relationships with customers from,Europe,America and south Asia,supplying obsolete and hard-to-find components to meet their specific needs.

With the principle of "Quality Parts,Customers Priority,Honest Operation,and Considerate Service",our business mainly focus on the distribution of electronic components. Line cards we deal with include Microchip,ALPS,ROHM,Xilinx,Pulse,ON,Everlight and Freescale. Main products comprise IC,Modules,Potentiometer,IC Socket,Relay,Connector.Our parts cover such applications as commercial,industrial, and automotives areas.

We are looking forward to setting up business relationship with you and hope to provide you with the best service and solution. Let us make a better world for our industry!



## Contact us

Tel: +86-755-8981 8866 Fax: +86-755-8427 6832

Email & Skype: info@chipsmall.com Web: www.chipsmall.com

Address: A1208, Overseas Decoration Building, #122 Zhenhua RD., Futian, Shenzhen, China



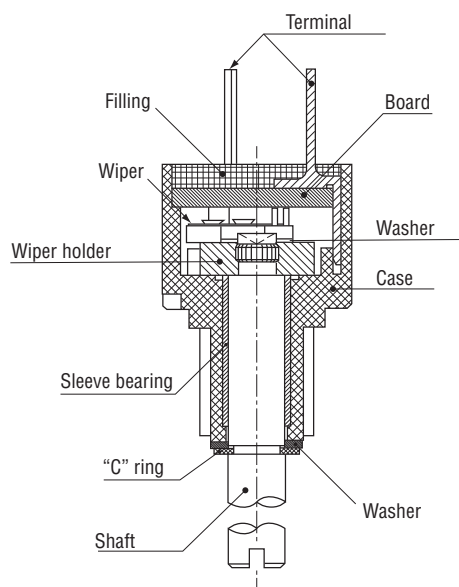
# CONDUCTIVE PLASTIC SINGLE TURN TYPE

# JC10 series

RoHS compliant



## Basic construction Conductive plastic single turn type



## FEATURES

- Compact ( $\phi$  10 mm)
- Long life
- High resolution (Essentially infinite)
- High following characteristics
- Cost effective
- RoHS compliant

## PART NUMBER DESIGNATION

JC10-000-202N

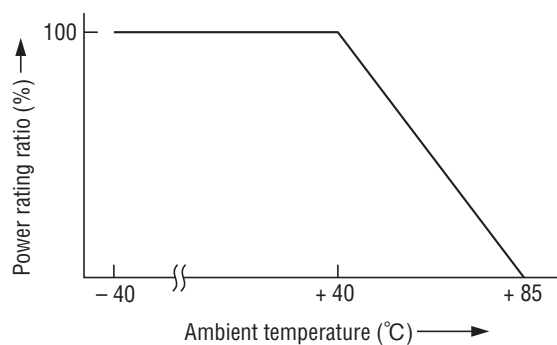
Series name

Nominal resistance value ( $\Omega$ )  
2 k, 5 k, 10 k

## LIST OF PART NUMBERS

Nominal resistance value	Part number
2 k $\Omega$	JC10-000-202N
5 k $\Omega$	JC10-000-502N
10 k $\Omega$	JC10-000-103N

## RATED POWER DERATING CURVE



# JC10

## POTENTIOMETERS

### STANDARD SPECIFICATIONS

#### ● Electrical characteristics

Nominal resistance value		2 k $\Omega$ , 5 k $\Omega$ , 10 k $\Omega$
Resistance tolerance	%	$\pm 20$
Resolution		Essentially infinite
Independent linearity	%	$\pm 2$
Effective electrical angle		324° $\pm$ 5°
Power rating (at 40 °C)	W	0.125
Dielectric strength	Vrms	500, 1min
Insulation resistance	M $\Omega$ minimum	100 (at DC 500 V)
Temp. coefficient of resistance	ppm/°C	$\pm 400$
Output smoothness		0.1 % maximum

#### ● Mechanical characteristics

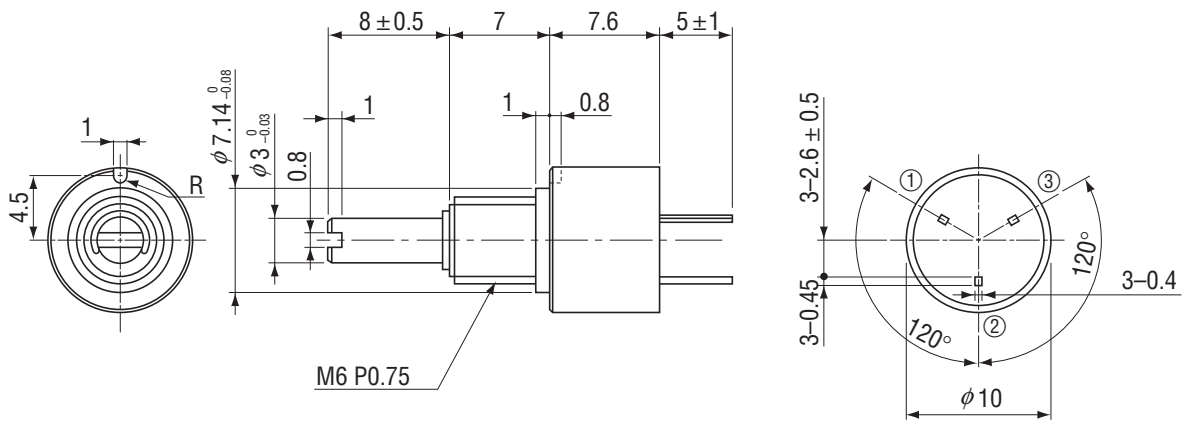
Mechanical angle		360° continuous
Rotational torque	mN·m {gf·cm} maximum	1.96 {20}
Rotational life (cycles)		5 million
Strength of tighten screw	N·cm {kgf·cm}	49 {5} maximum

#### ● Environmental characteristics

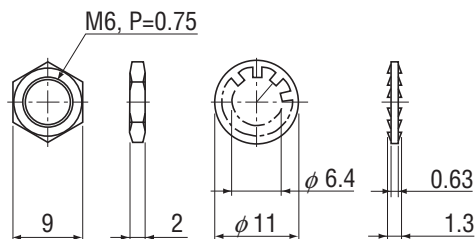
Operating temp. range	°C	-30 ~ 85
Net weight	g	Approx. 3
Protection grade		IP40

### OUTLINE DIMENSIONS

(Unit : mm)



#### <Accessories>



#### <Wiring diagram>

