



Chipsmall Limited consists of a professional team with an average of over 10 year of expertise in the distribution of electronic components. Based in Hongkong, we have already established firm and mutual-benefit business relationships with customers from,Europe,America and south Asia,supplying obsolete and hard-to-find components to meet their specific needs.

With the principle of “Quality Parts,Customers Priority,Honest Operation,and Considerate Service”,our business mainly focus on the distribution of electronic components. Line cards we deal with include Microchip,ALPS,ROHM,Xilinx,Pulse,ON,Everlight and Freescale. Main products comprise IC,Modules,Potentiometer,IC Socket,Relay,Connector.Our parts cover such applications as commercial,industrial, and automotives areas.

We are looking forward to setting up business relationship with you and hope to provide you with the best service and solution. Let us make a better world for our industry!



## Contact us

Tel: +86-755-8981 8866 Fax: +86-755-8427 6832

Email & Skype: info@chipsmall.com Web: www.chipsmall.com

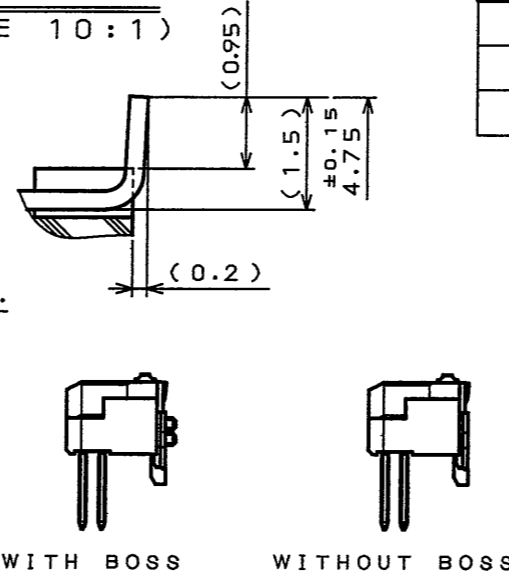
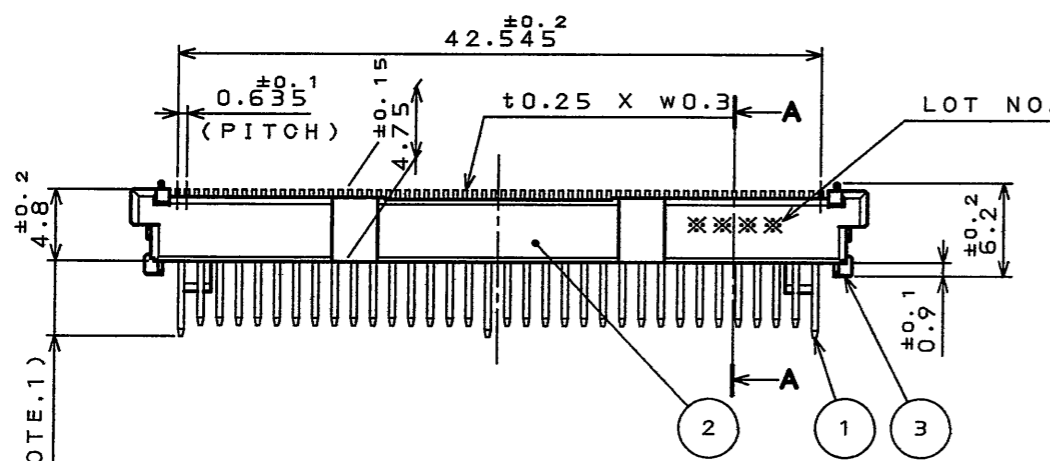
Address: A1208, Overseas Decoration Building, #122 Zhenhua RD., Futian, Shenzhen, China



SJ039045  
(DRAWING NO.)

SECT. A-A  
(SCALE 10:1)

版数 REV.	年月日 DATE	DCN NO.	変更内容 DESCRIPTION	製図 DR.	担当 CHK.	査閲 APPD.	承認 APPD.



- NOTE1. PLEASE REFER TO TABLE 1 FOR TERMINAL LENGTH.  
 2. PLEASE REFER TO TABLE 2 FOR CONTACT NUMBER.  
 3. THIS CONNECTOR MATES WITH JC21EJ2-D\*\*20. (TABLE 2)  
 4. THIS PRODUCTS ARE DESIGNED IN ACCORDANCE WITH PC CARD STANDARD.  
 5. COPLANALITY OF HOLD DOWN AND CONTACT : 0.1mm MAX.  
 6. THIS DRAWING REPRESENTS STADARD TYPE FOR REFERENCE.

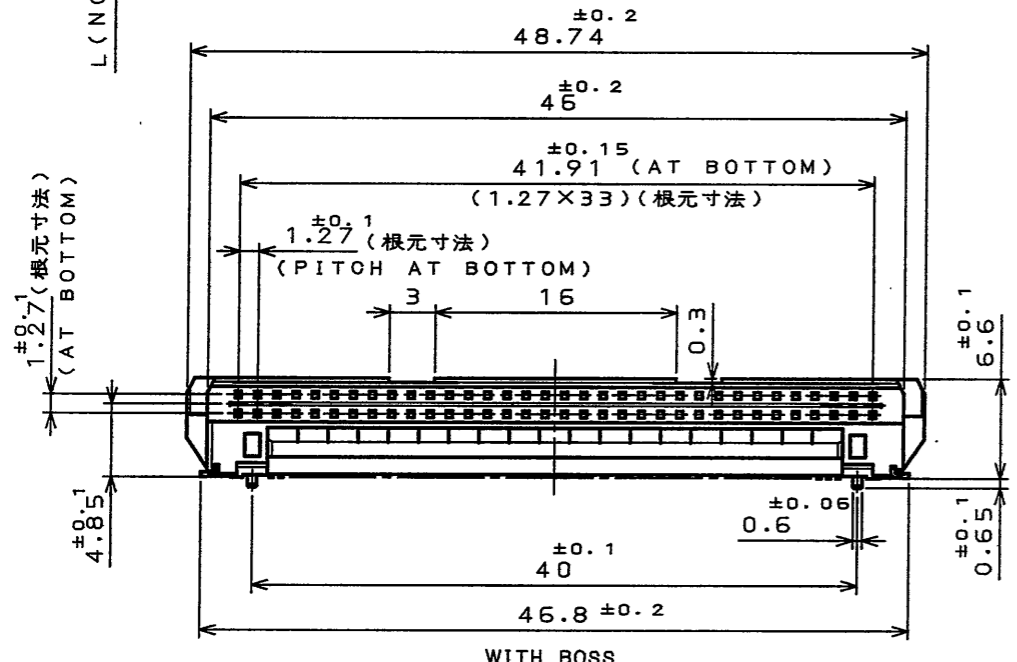
- 注 1. 端子長寸法は、表1を参照して下さい。  
 2. 端子番号は、表2を参照して下さい。  
 3. 本品は、JC21EJ2-D\*\*20と組合せて使用します。(表2)  
 4. 本品は、PCカード「スタンダード」に準拠します。  
 5. ホールドダウンと端子のコプラナリティは0.1mm以下とします。  
 6. 左図は参考としてスタンダードタイプを表しています。

TABLE 1

CONTACT NUMBER 端子番号	TERMINAL LENGTH 端子長(L)
1, 17, 34, 35, 51, 68	5 ±0.1
36, 67	3.5 ±0.1
OTHERS 其他	4.25 ±0.1

TABLE 2

MOUNTING SIDE 実装面	MOUNTING CODE 実装コード	CONTACT NUMBER 端子番号		APPLICABLE FRAME 適合フレーム
		MATING SIDE 嵌合面	P.C.B (MOUNTING SIDE) 基板(部品搭載面)	
STANDARD スタンダード	S			JC21EJ2-DS*20
REVERSE リバース	R			JC21EJ2-DR*20



DESIGNATION  
命名法

JC21EJ2-BSN\*\*E

B: BASE SIDE B: ベース側  
 P: BASE SIDE P: ベース側  
 WITH PROTECT CAP P: キャップ付きベース側  
 MOUNTING CODE (TABLE 2) 実装コード  
 BOSS B: WITH BOSS ポスの有無 B: ポス有  
 N: NONE N: ポス無  
 STAND-OFF CODE スタンドオフコード  
 NONE: 0mm 無: 0mm  
 20: 2.0mm 20: 2.0mm  
 (LEAD FREE) TIN/TIN ALLOY 錫又は、鍍金(無鉛)

3 HOLD DOWN	2 COPPER ALLOY (LEAD FREE) TIN/TIN ALLOY PLATING		
2 INSULATOR	1 9T NY		COLOR: BLACK UL94V-0
1 CONTACT	68 COPPER ALLOY	CONTACT AREA: GOLD OVER NICKEL	TERMINAL AREA: (LEAD FREE) TIN/TIN ALLOY PLATING
仕様書 (SPECIFICATION)	第1版 (ORIGINAL DATE) 5. Sep. 2003	尺 (SCALE) 2:1	シリーズ (SERIES) JC21EJ2
JACS-1554-03 JAHL-1554-03	製図 DR. H. SAKURADA	名称 (TITLE) JC21EJ2-B**20E	
公差 (GENERAL TOLERANCE)	担当 CHK. T. WADA	日本航空電子工業株式会社 JAPAN AVIATION ELECTRONICS INDUSTRY, LTD.	
寸法 (DIMENSION)	査閲 APPD. m. sasaki	図面番号 (DRAWING NO.) SJ039045	
角度 (ANGLES)	承認 APPD. A. Kimura	重量 (WEIGHT)	版数 (REV.) 1

LEAD FREE この製品は鉛フリー品です

JAE CONNECTOR DIV. PROPRIETARY.  
COPYRIGHT (C) 2003, JAPAN AVIATION ELECTRONICS INDUSTRY, LTD.

DOF-0-212D(98.02)

CDS-103-199-50088

EA  
S  
Z  
S