



Chipsmall Limited consists of a professional team with an average of over 10 year of expertise in the distribution of electronic components. Based in Hongkong, we have already established firm and mutual-benefit business relationships with customers from,Europe,America and south Asia,supplying obsolete and hard-to-find components to meet their specific needs.

With the principle of “Quality Parts,Customers Priority,Honest Operation,and Considerate Service”,our business mainly focus on the distribution of electronic components. Line cards we deal with include Microchip,ALPS,ROHM,Xilinx,Pulse,ON,Everlight and Freescale. Main products comprise IC,Modules,Potentiometer,IC Socket,Relay,Connector.Our parts cover such applications as commercial,industrial, and automotives areas.

We are looking forward to setting up business relationship with you and hope to provide you with the best service and solution. Let us make a better world for our industry!



## Contact us

Tel: +86-755-8981 8866 Fax: +86-755-8427 6832

Email & Skype: info@chipsmall.com Web: www.chipsmall.com

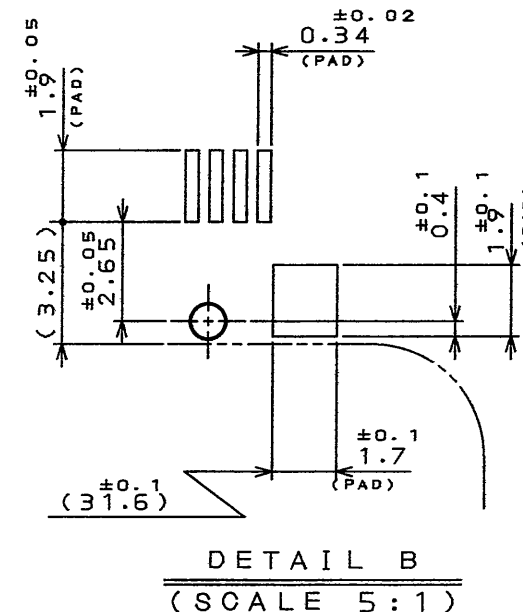
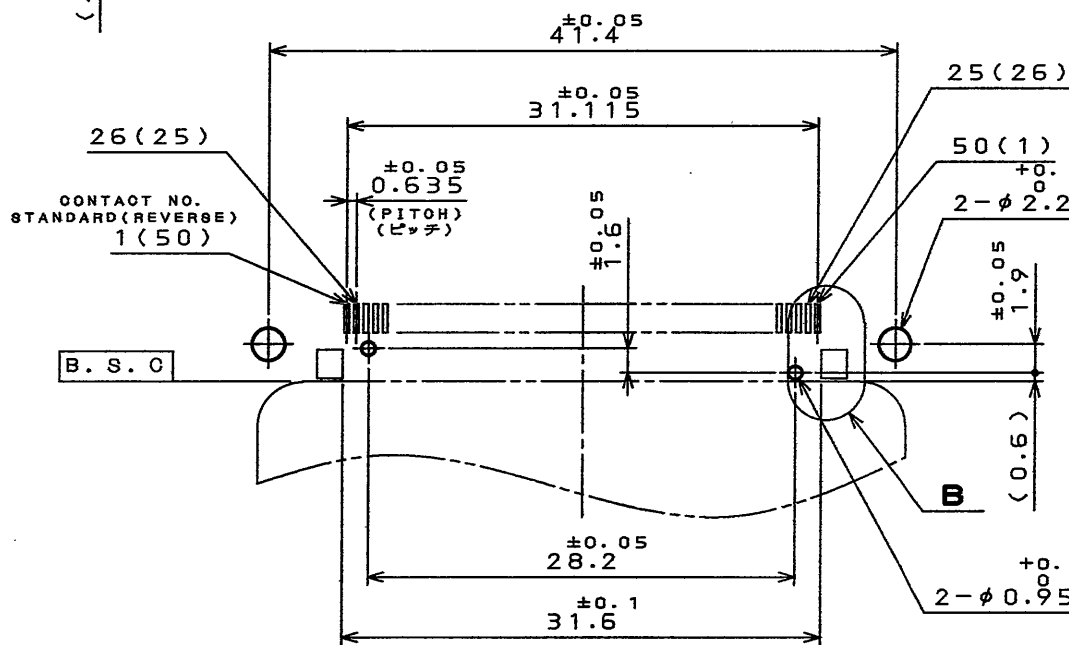
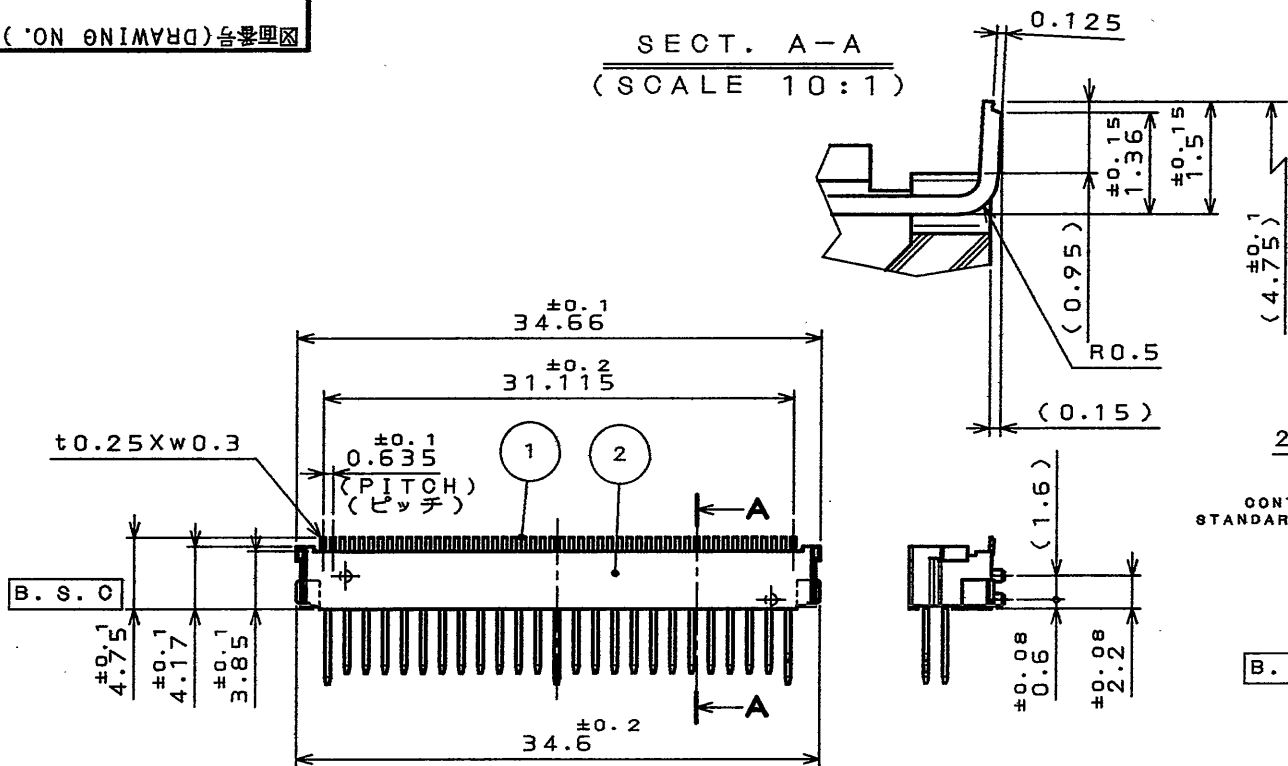
Address: A1208, Overseas Decoration Building, #122 Zhenhua RD., Futian, Shenzhen, China



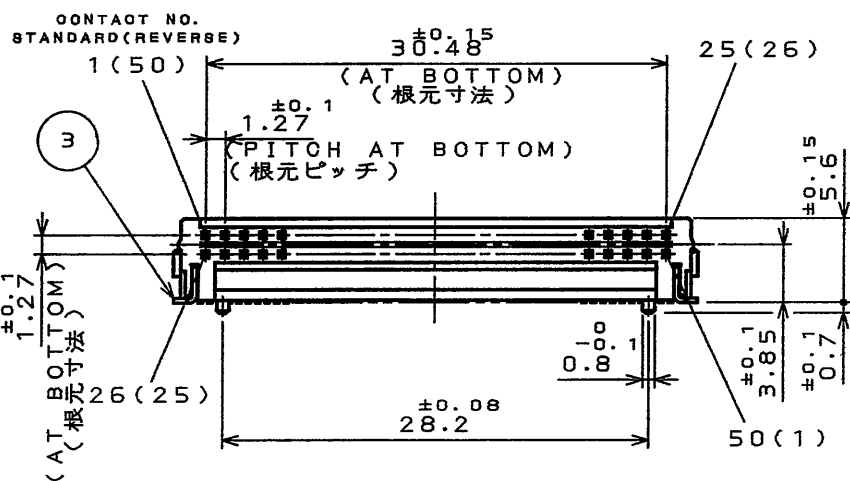
ES6001RS

(ON 0NIMVRR)台要理図

SECT. A-A  
(SCALE 10:1)



APPLICABLE P.C.B. DIMENSION (REF.)  
適合基板寸法 (参考)



DESIGNATION

命名法

JC26-BB\*\*\*E

(LEAD FREE) TIN/TIN ALLOY  
錫または錫合金 (無鉛)

CODE OF STAND OFF  
スタンドオフコード

無印: 0mm  
16: 1.6mm  
NONE: 0mm  
16: 1.6mm

SERIES  
シリーズ

BASE  
ベース

POSITIONING BOSS TYPE  
位置決めボス有無

B: WITH POSITIONING BOSS  
N: WITHOUT POSITIONING BOSS  
B: ボス有  
N: ボス無

- NOTE 1. THIS PRODUCTS ARE DESIGNED IN ACCORDANCE WITH COMPACT FLASH ASSOCIATION.  
2. COPLANALITY OF SMT TERMINAL IS 0.1 MAX. (INCLUDE HOLD DOWN)  
3. PLEASE REFER TO TABLE 1 FOR TERMINAL LENGTH.  
4. THIS CONNECTOR MATES WITH JC26-F\*\*\*16.
1. 本品は、コンパクトフラッシュ アソシエーションに準拠する。  
2. 端子のパラッキ0.1以下。(ホールドダウンを含む)  
3. 端子長寸法は、表1を参照願います。  
4. 本品は、JC26-F\*\*\*16と組み合わせて使用する。

TABLE 1

CONTACT NUMBER 端子番号	TERMINAL LENGTH 端子長
1, 13, 38, 50	5 ±0.1
25, 26	3.5 ±0.1
OTHERS 他	4.25 ±0.1

3	HOLD DOWN	2	PHOSPHOR BRONZE	(LEAD FREE) TIN/TIN ALLOY OVER NICKEL
2	INSULATOR	1	GLASS FILLED LCP	COLOR: IVORY UL94 V-0
1	CONTACT	50	COPPER ALLOY	CONTACT AREA: GOLD (0.1μm MIN.) OVER NICKEL TERMINAL AREA: (LEAD FREE) TIN/TIN ALLOY OVER NICKEL
符号 NO.	名称 DESCRIPTION	個数 QTY.	材料 MATERIAL	仕上 FINISH
	JACS-1504			2: 1
仕様書 (SPECIFICATION)		第1版 (ORIGINAL DATE)		備考 REMARKS
		25.Mar.2004		JC26 日本航空電子工業株式会社
公差 (GENERAL TOLERANCE)		製図 DR.	M.ABE	JAE ELECTRONICS INDUSTRY, LTD.
寸法 (DIMENSION)	角度 (ANGLES)	担当 CHK.	T.WADA	名称 (TITLE) JC26-B*16E
. ±0.8	X° ±	査問 APPD.	M. Sasaki	
.X ±0.4	X°X' ±	承認 APPD.	A. Kimura	
.XX ±0.1		重量 (WEIGHT)		図面番号 (DRAWING NO.) SJ100953
.XXX ±				版数 (REV.) 1

LEAD FREE この製品は鉛フリー品です

JAE CONNECTOR DIV. PROPRIETARY.  
COPYRIGHT (C) 2004. JAPAN AVIATION ELECTRONICS INDUSTRY, LTD.

DOF-C-212E(03.08)

