



Chipsmall Limited consists of a professional team with an average of over 10 year of expertise in the distribution of electronic components. Based in Hongkong, we have already established firm and mutual-benefit business relationships with customers from,Europe,America and south Asia,supplying obsolete and hard-to-find components to meet their specific needs.

With the principle of “Quality Parts,Customers Priority,Honest Operation,and Considerate Service”,our business mainly focus on the distribution of electronic components. Line cards we deal with include Microchip,ALPS,ROHM,Xilinx,Pulse,ON,Everlight and Freescale. Main products comprise IC,Modules,Potentiometer,IC Socket,Relay,Connector.Our parts cover such applications as commercial,industrial, and automotives areas.

We are looking forward to setting up business relationship with you and hope to provide you with the best service and solution. Let us make a better world for our industry!



Contact us

Tel: +86-755-8981 8866 Fax: +86-755-8427 6832

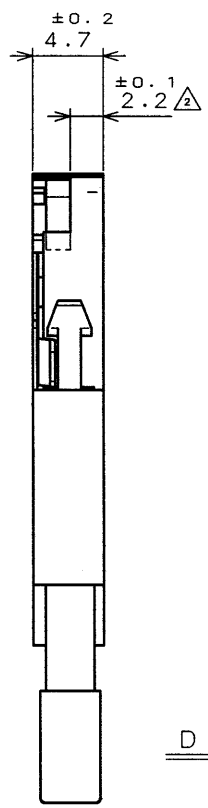
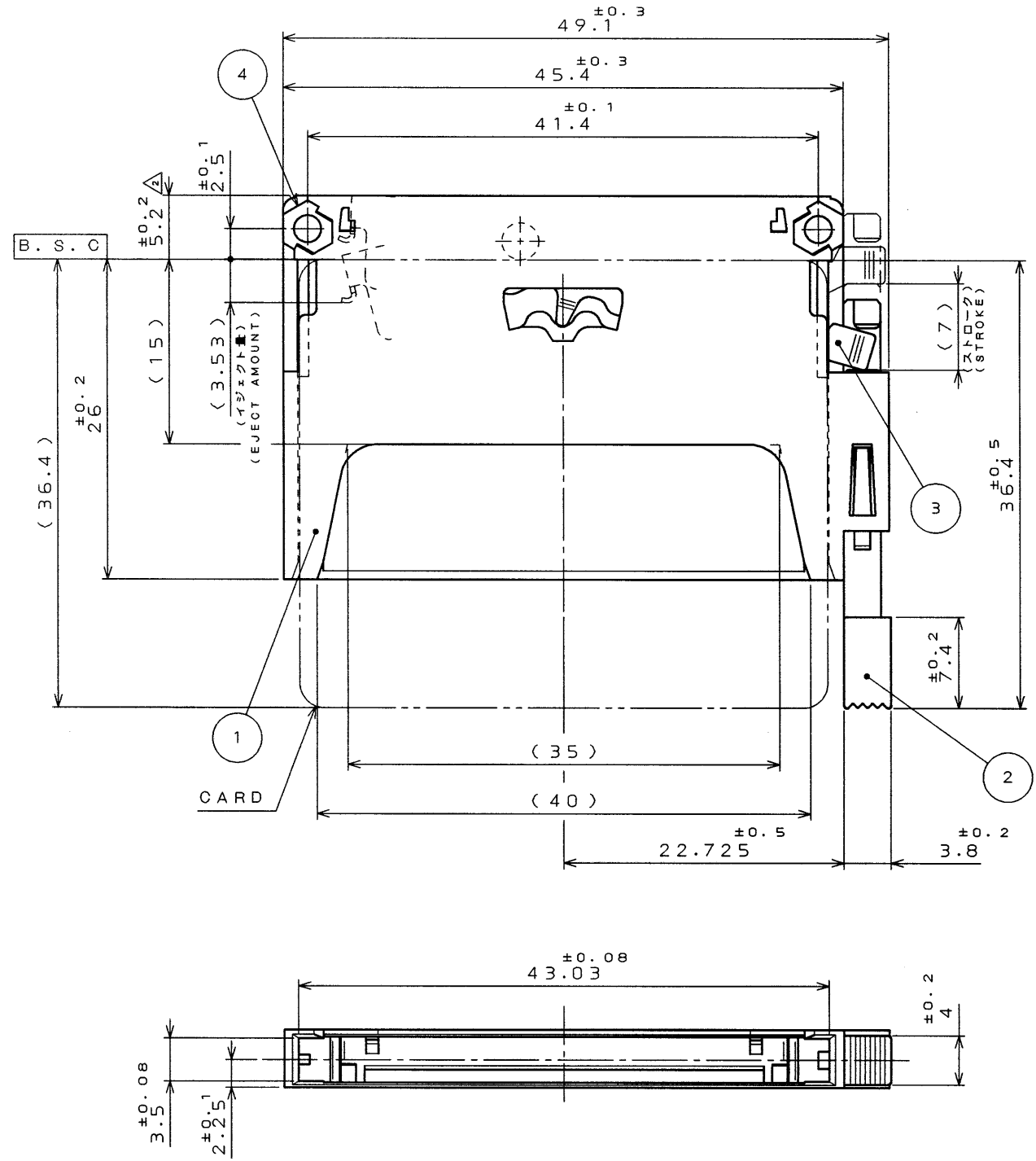
Email & Skype: info@chipsmall.com Web: www.chipsmall.com

Address: A1208, Overseas Decoration Building, #122 Zhenhua RD., Futian, Shenzhen, China



SJ032181
(DRAWING NO.)

SYM. 版数	DCN NO.	DESCRIPTION 変更内容	DATE 年月日	DRAWN 製図	CHECKED 担当	APP'D 査閲	APP'D 承認
2	40829	REVISED FORM & DIMENSION	19.Nov.'97	J.ICHIYAMA	K.NAKAMURA	—	T.MIZUNO
3	43955	ADD NUT NUMBER	16.Apr.'99	M.KODERA	K.NAKAMURA	—	T. Figure



DESIGNATION
命名法

JC26-FRLH**
SERIES (シリーズ)
FRAME (フレーム)

KEY CODE (キーコード)
S: STANDARD (スタンダード)
R: REVERSE (リバース)

CODE OF STAND OFF
(スタンドオフコード)
NONE: 0mm

HEXAGON NUT TYPE
(六角ナット有無)
H: WITH HEXAGON NUT (六角ナット有)
N: WITHOUT HEXAGON NUT (六角ナット無)

BUTTON TYPE
(ボタンタイプ)
R: RIGHT (右ボタン)
L: LEFT (左ボタン)

ITEM 符号	DESCRIPTION 名称	Q'TY 個数	MATERIAL 材料	FINISH	REMARKS
4	HEXAGON NUT	2	BRASS	NICKEL PLATING	OPTION (M2) Δ
3	LEVER	1	STAINLESS STEEL		
2	BUTTON	1	GLASS FILLED PBT		COLOR: BLACK UL94 V-0
1	FRAME	1	GLASS FILLED PBT		COLOR: BLACK UL94 V-0

NOTE 1. THIS PRODUCTS ARE DESIGNED IN ACCORDANCE WITH COMPACT FLASH ASSOCIATION.
2. THIS CONNECTOR MATES WITH JC26-B**** (SJ032036).
1. 本品は、コンパクトフラッシュ アソシエーションに準拠する。
2. 本品は、JC26-B**** (SJ032036)と組み合わせて使用する。

仕様書 (REFERENCE DOCUMENT) JACS-1504 A032037	第1版 (DATE) 26. Aug. 97	尺度 (SCALE) 2:1	<p>JAE CONNECTOR.COM Reference Only JAPAN AVIATION ELECTRONICS INDUSTRY, LTD. 日本航空電子工業株式会社</p>
一般公差 (GENERAL TOLERANCE)	製図 (DR.) K.KAMATA	名称 (TITLE) JC26-FRL* (REVERSE) (LEFT BUTTON)	
寸法 (DIMENSION)	担当 (CHK.) K.NAKAMURA	シリアル (SERIES) JC26	
角度 (ANGLES)	査閲 (APP.)		
. ±0.8	承認 (APP.) T.MIZUNO		図面番号 (DRAWING NO.) SJ032181
.x ±0.4			版数 (SYM.) 3
.xx ±0.1			
.xxx ±			

DOF-C-212B(96.03)

CDS-97-170-30435
SIZE A3