



Chipsmall Limited consists of a professional team with an average of over 10 year of expertise in the distribution of electronic components. Based in Hongkong, we have already established firm and mutual-benefit business relationships with customers from,Europe,America and south Asia,supplying obsolete and hard-to-find components to meet their specific needs.

With the principle of “Quality Parts,Customers Priority,Honest Operation,and Considerate Service”,our business mainly focus on the distribution of electronic components. Line cards we deal with include Microchip,ALPS,ROHM,Xilinx,Pulse,ON,Everlight and Freescale. Main products comprise IC,Modules,Potentiometer,IC Socket,Relay,Connector.Our parts cover such applications as commercial,industrial, and automotives areas.

We are looking forward to setting up business relationship with you and hope to provide you with the best service and solution. Let us make a better world for our industry!



Contact us

Tel: +86-755-8981 8866 Fax: +86-755-8427 6832

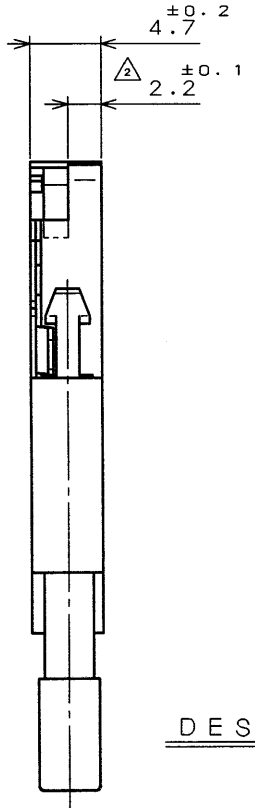
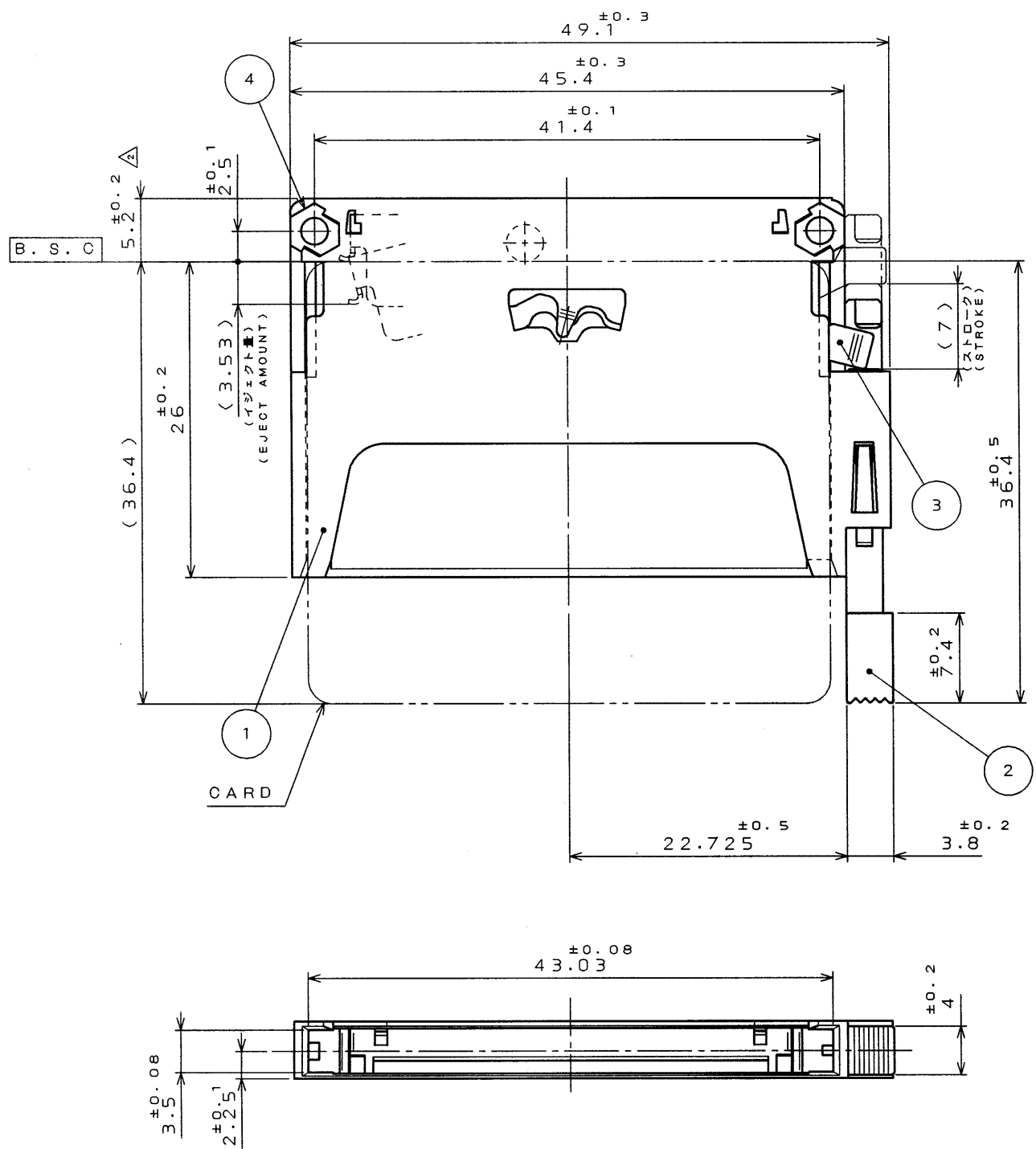
Email & Skype: info@chipsmall.com Web: www.chipsmall.com

Address: A1208, Overseas Decoration Building, #122 Zhenhua RD., Futian, Shenzhen, China



S J 0 3 2 0 8 1
 (DRAWING NO.)

SYM. 版数	DCN NO.	DESCRIPTION 変更内容	DATE 年月日	DRAWN 製図	CHECKED 担当	APP'D 査閲	APP'D 承認
2	40829	REVISED DIMENSION	19.Nov.'97		K.NAKAMURA		T.MIZUNO
3	43955	ADD NUT NUMBER	16.Apr.'99	M.KODERA	K.NAKAMURA		T. Mizuno



DESIGNATION
命名法

J C 2 6 - F S R H * *

SERIES (シリーズ)
FRAME (フレーム)

CODE OF STAND OFF
(スタンドオフコード)
NONE: 0mm

KEY CODE (キーコード)
S: STANDARD (スタンダード)
R: REVERSE (リバース)

HEXAGON NUT TYPE
(六角ナット有無)
H: WITH HEXAGON NUT (六角ナット有)
N: WITHOUT HEXAGON NUT (六角ナット無)

BUTTON TYPE
(ボタンタイプ)
R: RIGHT (右ボタン)
L: LEFT (左ボタン)

ITEM 符号	DESCRIPTION 名称	Q'TY 個数	MATERIAL 材料	FINISH 仕上	REMARKS 備考
4	HEXAGON NUT	2	BRASS	NICKEL PLATING	OPTION (M2) △
3	LEVER	1	STAINLESS STEEL		
2	BUTTON	1	GLASS FILLED PBT		COLOR: BLACK UL94 V-0
1	FRAME	1	GLASS FILLED PBT		COLOR: BLACK UL94 V-0

NOTE 1. THIS PRODUCTS ARE DESIGNED IN ACCORDANCE WITH COMPACT FLASH ASSOCIATION.
 2. THIS CONNECTOR MATES WITH JC26-B**** (SJ032036).
 1. 本品は、コンパクトフラッシュ アソシエーションに準拠する。
 2. 本品は、JC26-B**** (SJ032036)と組み合わせて使用する。

仕様書 (REFERENCE DOCUMENT) JACS-1504 A032037	第1版 (DATE) 7 . Jul. 97	尺度 (SCALE) 2 : 1	 JAE CONNECTOR.COM JAPAN AVIATION ELECTRONICS INDUSTRY, LTD. 日本航空電子工業株式会社 図面番号 (DRAWING NO.) S J 0 3 2 0 8 1
公差 (GENERAL TOLERANCE)	製図 (DR.) K. KAMATA	名称 (TITLE) J C 2 6 - F S R * (STANDARD)	
寸法 (DIMENSION)	担当 (CHK.) K. NAKAMURA	名称 (TITLE) (RIGHT BUTTON)	
角度 (ANGLES)	査閲 (APP.)	シリーズ (SERIES) J C 2 6	
承認 (APP.) T. MIZUNO			版数 (SYM.) 3

THIS DRAWING CONTAINS INFORMATION THAT IS PROPRIETARY TO JAE AND SHOULD NOT BE USED WITHOUT WRITTEN PERMISSION.
 本図面は日本航空電子工業(株)の所有する情報を含むもので当社の許可なく複製を禁止する。

DOF-C-212B(96.03)



CDS-97-170-10338
 SIZE A3