



Chipsmall Limited consists of a professional team with an average of over 10 year of expertise in the distribution of electronic components. Based in Hongkong, we have already established firm and mutual-benefit business relationships with customers from,Europe,America and south Asia,supplying obsolete and hard-to-find components to meet their specific needs.

With the principle of “Quality Parts,Customers Priority,Honest Operation,and Considerate Service”,our business mainly focus on the distribution of electronic components. Line cards we deal with include Microchip,ALPS,ROHM,Xilinx,Pulse,ON,Everlight and Freescale. Main products comprise IC,Modules,Potentiometer,IC Socket,Relay,Connector.Our parts cover such applications as commercial,industrial, and automotives areas.

We are looking forward to setting up business relationship with you and hope to provide you with the best service and solution. Let us make a better world for our industry!



Contact us

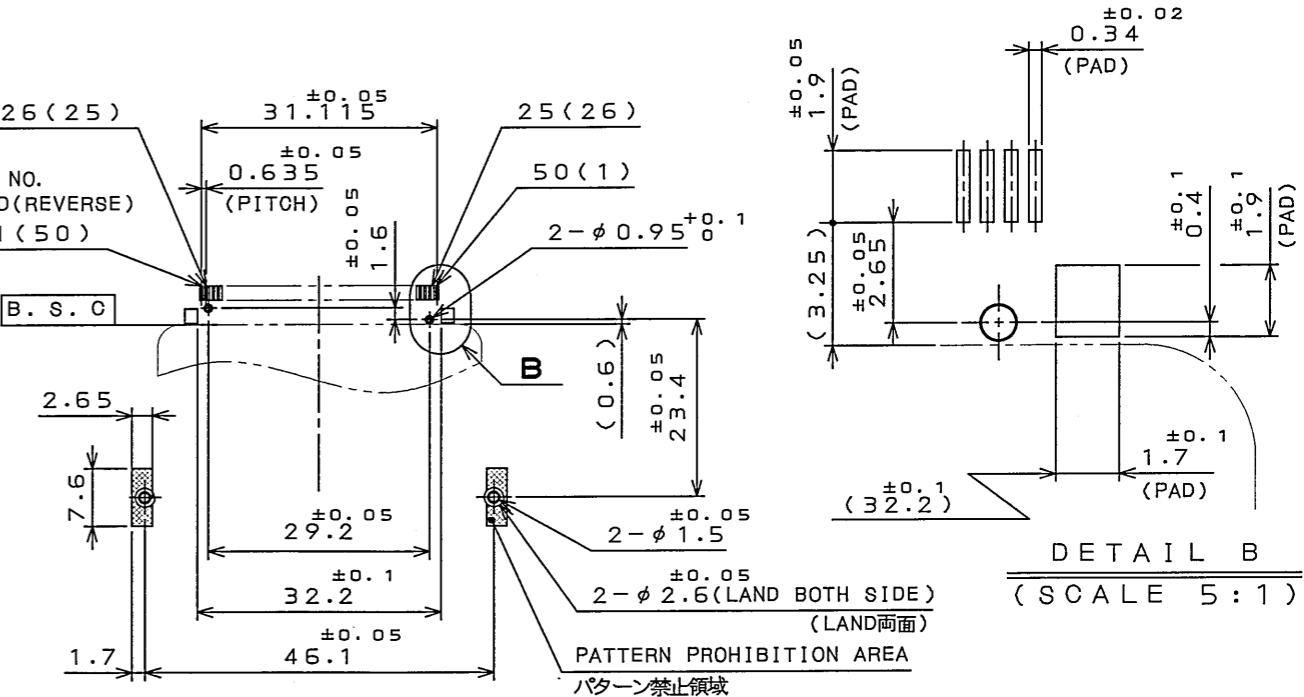
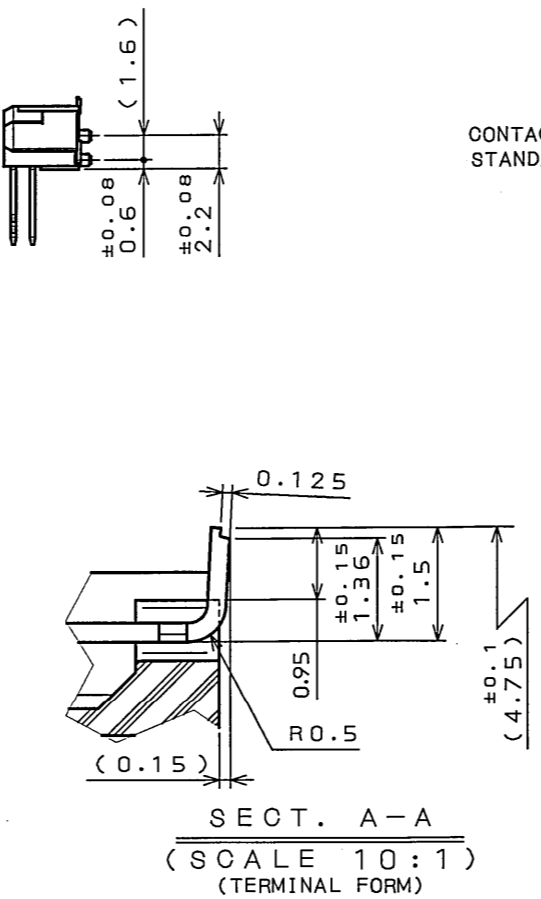
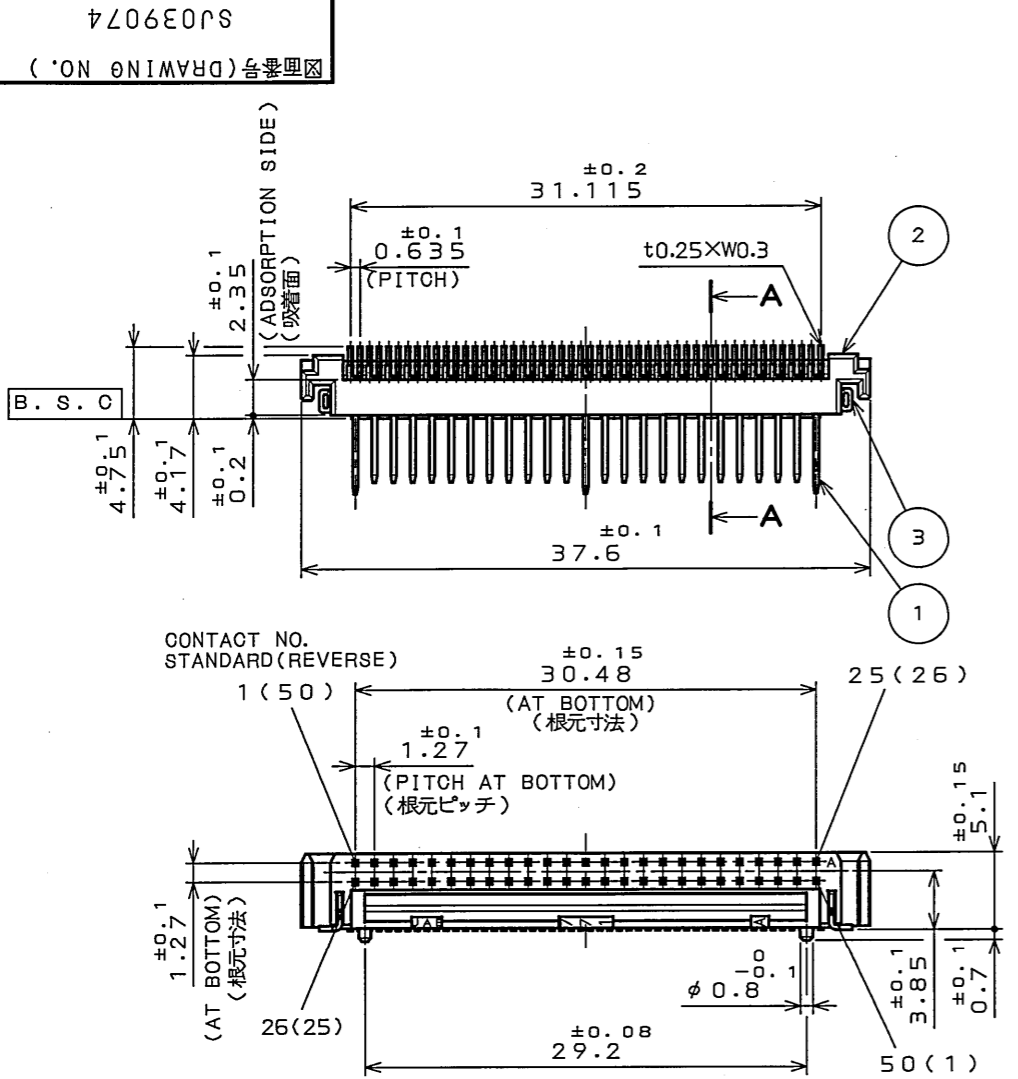
Tel: +86-755-8981 8866 Fax: +86-755-8427 6832

Email & Skype: info@chipsmall.com Web: www.chipsmall.com

Address: A1208, Overseas Decoration Building, #122 Zhenhua RD., Futian, Shenzhen, China



版数 REV.	年月日 DATE	DCN NO.	変更内容 DESCRIPTION	製図 DR.	担当 CHK.	査閲 APPD.	承認 APPD.
2	26.Aug.2004	055687	REVISED NOTE, ETC	H.KAMATA	T.WADA	M.Sasaki	A.Kimura



APPLICABLE P.C.B. DIMENSION (REF.)
適合基板寸法 (参考) (SCALE 1:1)

- NOTE 1. THIS PRODUCTS ARE DESIGNED IN ACCORDANCE WITH COMPACT FLASH ASSOCIATION.
 2. COPLANALITY OF SMT TERMINAL IS 0.1 MAX. (INCLUDE HOLD DOWN)
 3. PLEASE REFER TO TABLE 1 FOR TERMINAL LENGTH.
 4. PLEASE REFER TO TABLE 2 FOR CONTACT NUMBER.
 5. THIS CONNECTOR MATES WITH JC26A-F**16E OR JC26C*-**16E.
 6. PLEASE REFER TO JAHL-1504-8 FOR USING THIS PRODUCT.
1. 本品は、コンパクトフラッシュ アソシエーションに準拠する。
 2. 端子のパラッキ0.1以下。(ホルドダウンを含む)
 3. 端子長寸法は、表1を参照願います。
 4. 端子番号は、表2を参照して下さい。
 5. 本品は、JC26A-F**16EまたはJC26C*-**16Eと組み合わせて使用する。
 6. 本品を御使用時は、取扱説明書(JAHL-1504-8)を御参照下さい。

DESIGNATION
命名法

JC26A-BB16E

SERIES シリーズ
BASE ベース

(LEAD FREE)TIN/TIN ALLOY
錫又は、錫合金(無鉛)

POSITIONING BOSS TYPE 位置決めボス有無
B: WITH POSITIONING BOSS B: ボス有
N: WITHOUT POSITIONING BOSS N: ボス無

STAND-OFF CODE スタンドオフコード
NONE: 0mm 無: 0mm
16: 1.6mm 16: 1.6mm

TABLE 1

CONTACT NUMBER 端子番号	TERMINAL LENGTH 端子長(L)
1, 13, 38, 50	5 ± 0.1
25, 26	3.5 ± 0.1
OTHERS その他	4.25 ± 0.1

TABLE 2

MOUNTING SIDE 実装面	CONTACT NUMBER 端子番号	COUNTERPART FRAME 相手側フレーム
STANDARD スタンダード	1, 25, 26, 50	JC26A-FS*16E JC26C*-*S*16E
REVERSE リバース	1, 25, 26, 50	JC26A-FR*16E JC26C*-*R*16E

符号 NO.	名称 DESCRIPTION	個数 QTY.	材料 MATERIAL	仕上 FINISH	備考 REMARKS
3	HOLD DOWN	2	COPPER ALLOY	(LEAD FREE)TIN/TIN ALLOY PLATING	
2	INSULATOR	1	GLASS FILLED PPS		COLOR: IVORY UL94 V-0
1	CONTACT	50	COPPER ALLOY	CONTACT AREA: GOLD(0.1μm MIN.) OVER NICKEL	TERMINAL AREA: (LEAD FREE) TIN/TIN ALLOY OVER NICKEL

仕様書 (SPECIFICATION)	第1版 (ORIGINAL DATE)	尺度 (SCALE)	シリーズ (SERIES)
JACS-1504-8 JAHL-1504-8	5.Sep.2003	2:1	JC26
製図 DR.	H.SAKURADA	名称 (TITLE)	JC26A-BB16E
担当 CHK.	T.WADA	製図 DR.	
査閲 APPD.	M.SAKAKI	承認 APPD.	
承認 APPD.	A.KIMURA	承認 APPD.	
質量 (MASS)		質量 (MASS)	

日本航空電子工業株式会社
JAPAN AVIATION ELECTRONICS INDUSTRY, LTD.
図面番号 (DRAWING NO.)
SJ039074
版数 (REV.)
2

LEAD FREE この製品は鉛フリー品です

JAE CONNECTOR DIV. PROPRIETARY.
COPYRIGHT (C) 2003, JAPAN AVIATION ELECTRONICS INDUSTRY, LTD.

DOF-C-212E(03.08)