



Chipsmall Limited consists of a professional team with an average of over 10 year of expertise in the distribution of electronic components. Based in Hongkong, we have already established firm and mutual-benefit business relationships with customers from,Europe,America and south Asia,supplying obsolete and hard-to-find components to meet their specific needs.

With the principle of “Quality Parts,Customers Priority,Honest Operation,and Considerate Service”,our business mainly focus on the distribution of electronic components. Line cards we deal with include Microchip,ALPS,ROHM,Xilinx,Pulse,ON,Everlight and Freescale. Main products comprise IC,Modules,Potentiometer,IC Socket,Relay,Connector.Our parts cover such applications as commercial,industrial, and automotives areas.

We are looking forward to setting up business relationship with you and hope to provide you with the best service and solution. Let us make a better world for our industry!



## Contact us

Tel: +86-755-8981 8866 Fax: +86-755-8427 6832

Email & Skype: info@chipsmall.com Web: www.chipsmall.com

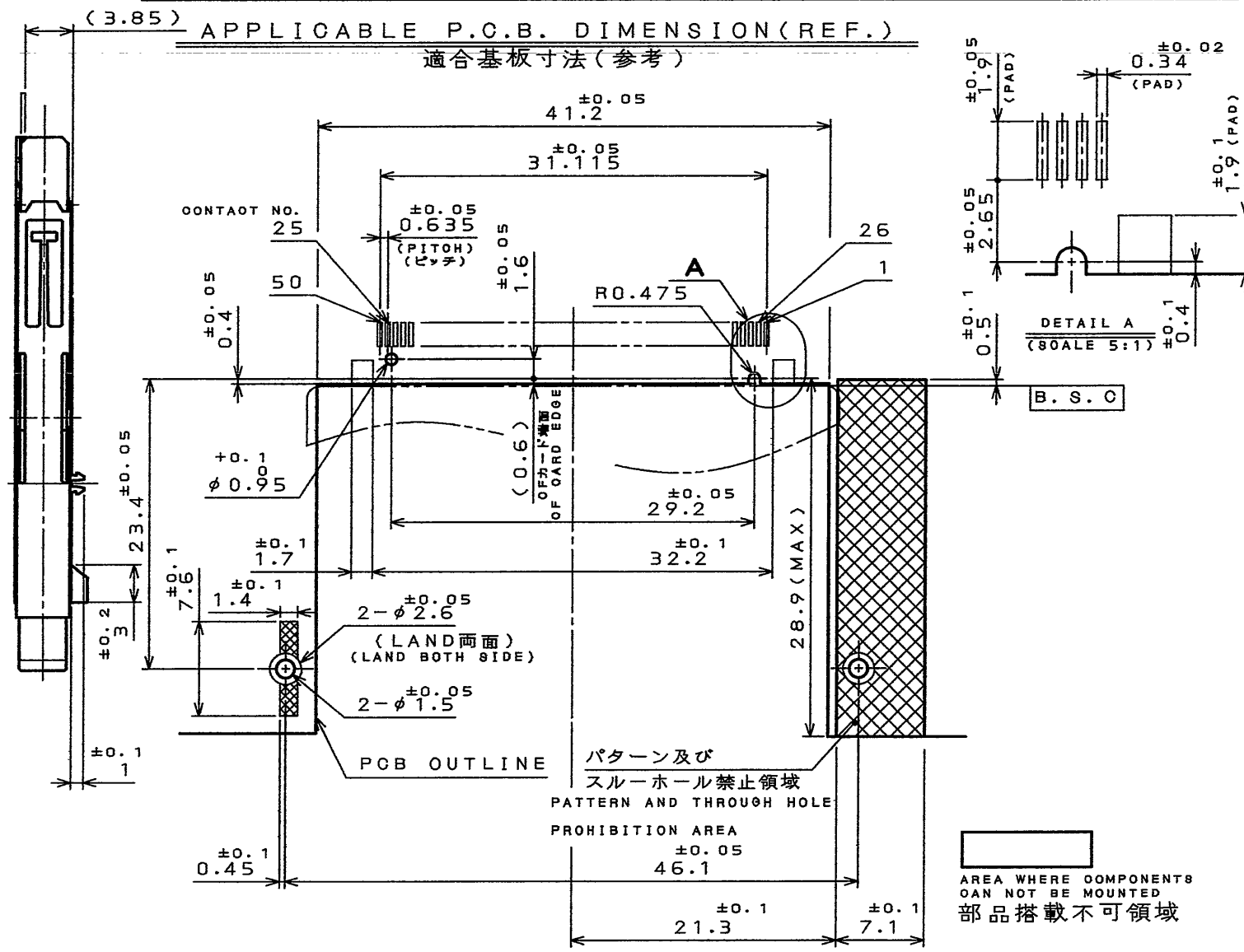
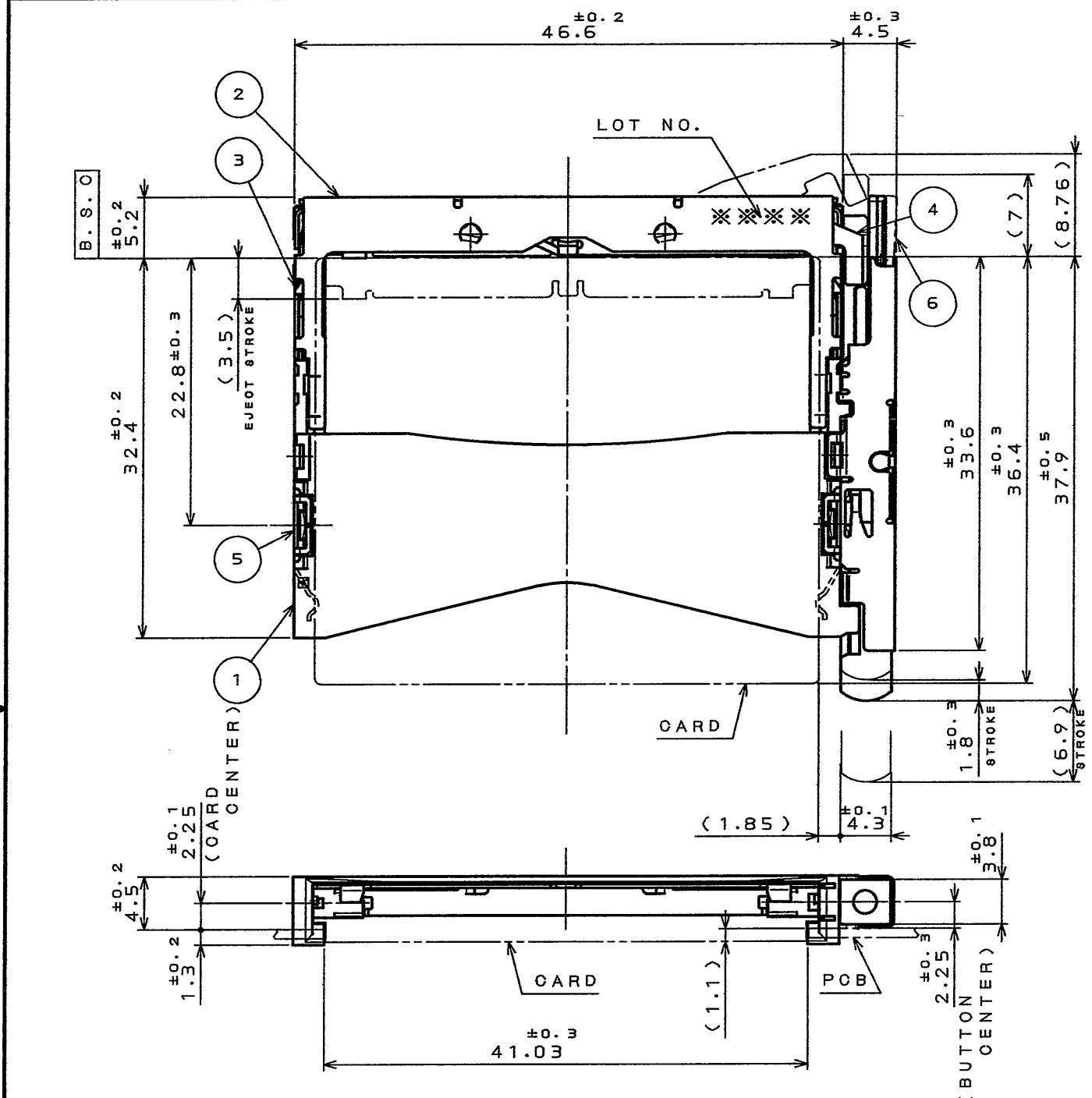
Address: A1208, Overseas Decoration Building, #122 Zhenhua RD., Futian, Shenzhen, China



Z96001rs

(ON DRAWING) 台番里図

版数 REV.	年月日 DATE	DCN NO.	変更内容 DESCRIPTION	製図 DR.	担当 CHK.	査閲 APPD.	承認 APPD.



NOTE 1. THIS PRODUCTS ARE DESIGNED IN ACCORDANCE WITH COMPACT FLASH ASSOCIATION.  
 2. PLEASE REFER TO JAHL-1504-19 FOR USING THIS PRODUCT.  
 1. 本品は、コンパクトフラッシュ アソシエーションに準拠する。  
 2. 本品を御使用时は、取扱説明書 (JAHL-1504-19) を御参照下さい。

**JC2602-DRLE** (LEAD FREE) TIN/TIN ALLOY

**SERIES** (BASE, FRAME, DOUBLE PUSH TYPE FRAME)

**STAND OFF** NONE: 0mm, 16: 1.6mm

**KEY** S: STANDARD, R: REVERSE, BUTTON R: RIGHT, L: LEFT

6 EJECT UNIT	1				
5 EARTH LUG	2	COPPER ALLOY		SELECTIVE (LEAD FREE) TIN/TIN ALLOY OVER NICKEL	
4 LEVER	1	STAINLESS STEEL			
3 PLATE	1	STAINLESS STEEL			
2 COVER	1	STAINLESS STEEL			
1 FRAME	1	GLASS FILLED PBT			COLOR: BLACK UL94 V-0
符号 NO.	名称 DESCRIPTION	個数 QTY.	材料 MATERIAL	仕上 FINISH	備考 REMARKS
仕様書 (SPECIFICATION)	JACS-1504-19 JAHL-1504-19	第1版 (ORIGINAL DATE) 25.Mar.2004	製図 DR. M.ABE	名称 (TITLE) JC2602	日本航空電子工業株式会社 JAPAN AVIATION ELECTRONICS INDUSTRY, LTD.
公差 (GENERAL TOLERANCE)	寸法 (DIMENSION)	角度 (ANGLES)		担当 CHK. T.WADA	査閲 APPD. M. Sasaki
±0.8	±0.4	° ±	' ±	承認 APPD. A. Kimura	
±0.1	±0.1			重量 (WEIGHT)	図面番号 (DRAWING NO.) SJ100962
±0.05	±0.05				版数 (REV.) 1

LEAD FREE この製品は鉛フリー品です

DOF-0-212E(03.08)