



Chipsmall Limited consists of a professional team with an average of over 10 year of expertise in the distribution of electronic components. Based in Hongkong, we have already established firm and mutual-benefit business relationships with customers from,Europe,America and south Asia,supplying obsolete and hard-to-find components to meet their specific needs.

With the principle of "Quality Parts,Customers Priority,Honest Operation,and Considerate Service",our business mainly focus on the distribution of electronic components. Line cards we deal with include Microchip,ALPS,ROHM,Xilinx,Pulse,ON,Everlight and Freescale. Main products comprise IC,Modules,Potentiometer,IC Socket,Relay,Connector.Our parts cover such applications as commercial,industrial, and automotives areas.

We are looking forward to setting up business relationship with you and hope to provide you with the best service and solution. Let us make a better world for our industry!



Contact us

Tel: +86-755-8981 8866 Fax: +86-755-8427 6832

Email & Skype: info@chipsmall.com Web: www.chipsmall.com

Address: A1208, Overseas Decoration Building, #122 Zhenhua RD., Futian, Shenzhen, China

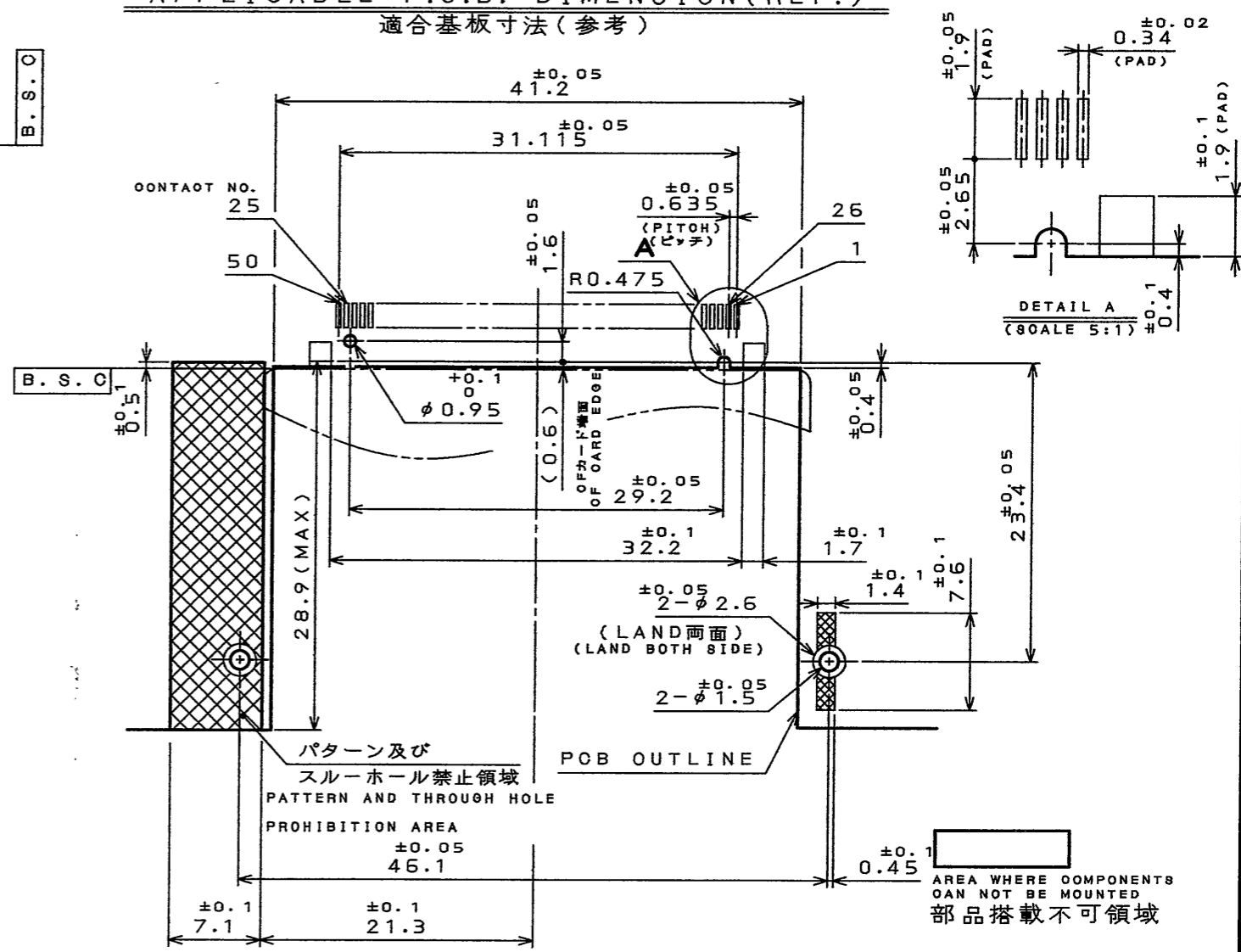
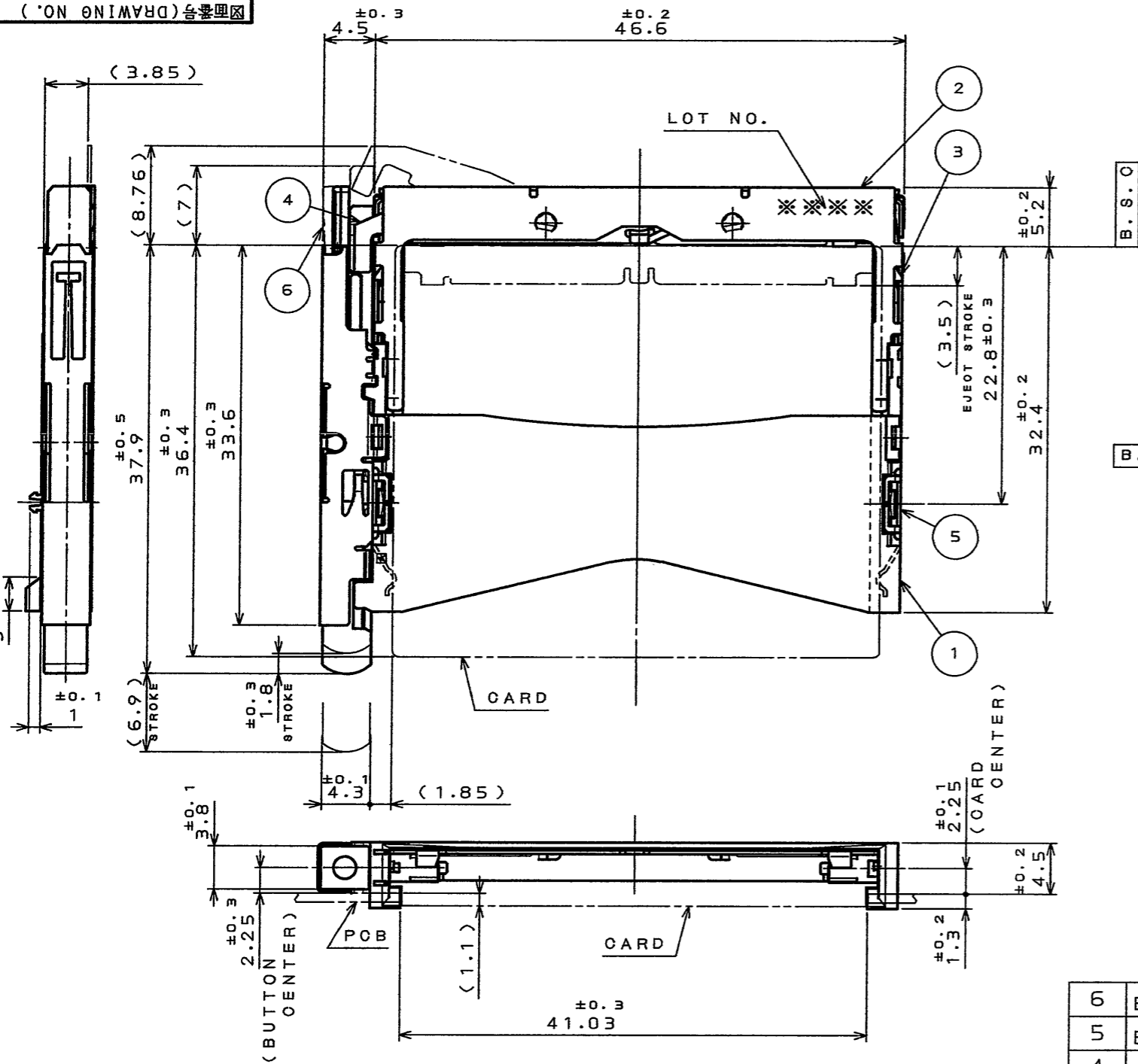


SJ100964

(図面番号(DRAWING NO.))

版数 REV.	年月日 DATE	DGN NO.	変更内容 DESCRIPTION	製図 DR.	担当 CHK.	査閲 APPD.	承認 APPD.

APPLICABLE P.C.B. DIMENSION (REF.)
適合基板寸法(参考)

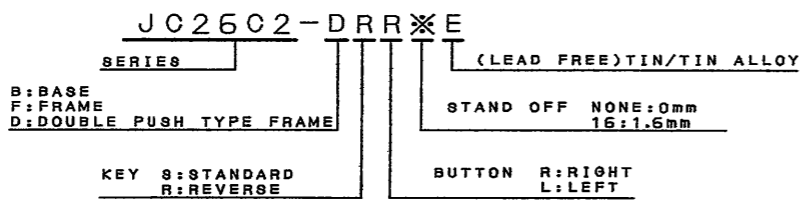


NOTE 1. THIS PRODUCTS ARE DESIGNED IN ACCORDANCE WITH COMPACT FLASH ASSOCIATION.

2. PLEASE REFER TO JAHL-1504-19 FOR USING THIS PRODUCT.

1. 本品は、コンパクトフラッシュ アソシエーションに準拠する。

2. 本品を御使用時は、取扱説明書(JAHL-1504-19)を御参照下さい。



符号 NO.	名称 DESCRIPTION	個数 QTY.	材料 MATERIAL	仕上 FINISH	備考 REMARKS
6	EJECT UNIT	1			
5	EARTH LUG	2	COPPER ALLOY		SELECTIVE (LEAD FREE)TIN/TIN ALLOY OVER NICKEL
4	LEVER	1	STAINLESS STEEL		
3	PLATE	1	STAINLESS STEEL		
2	COVER	1	STAINLESS STEEL		
1	FRAME	1	GLASS FILLED PBT		COLOR:BLACK UL94 V-0
仕様書(SPECIFICATION)		第1版(ORIGINAL DATE)		仕上	
JAHS-1504-19		25.Mar.2004		2:1	
JAHL-1504-19		製図 DR. M.ABE		J02602	
公差(GENERAL TOLERANCE)		担当 CHK. T.WADA		名称(TITLE)	
寸法(DIMENSION)		査閲 APPD. M. Sasaki		J02602-DRRE	
角度(ANGLES)		承認 APPD. A. Kimura		重量(WEIGHT)	
. ±0.8				JAE CONNECTOR.COM	
.X ±0.4				日本航空電子工業株式会社	
.XX ±0.1				JAPAN AVIATION ELECTRONICS INDUSTRY, LTD.	
.XXX ±				図面番号(DRAWING NO.)	
				SJ100964	

LEAD FREE この製品は鉛フリー品です

JAE CONNECTOR DIV. PROPRIETARY.
COPYRIGHT (C) 2004, JAPAN AVIATION ELECTRONICS INDUSTRY, LTD.

DOF-0-212E(03.08)



SIZE A3

版数 (REV.)

1